

YAMAHA

Marine

Outboards



40H'90(6H4)

PARTS CATALOGUE

YAMAHA MOTOR CO.,LTD.

206H4-700E1 ●

A1

FOREWORD

This Parts Catalogue is related to the parts in use for the Yamaha outboard motor 40H '90 (6H4). When you are ordering replacement parts for the 40H '90 (6H4), refer to this Parts Catalogue and quote both part numbers and part names correctly.

1. Modifications or additions which have been made after issue of the Parts Catalogue will be announced in the Yamaha Parts News.
It is advisable that according to the Yamaha Parts News you make necessary corrections to the Parts Catalogue on hand to keep it up-to-date.

2. Abbreviations

The following abbreviations are used in this Parts Catalogue.

- UR Use size (thickness) and/or number as required.
- UN Use as many as you need.
- AP Alternate Parts
- STD Standard
- O/S Over Size

3. Parts, which are to be supplied in the form of assemblies, are listed with an indentation of one letter's space, and a dot (.) is put against the name of each part.

EXAMPLE

CARBURETOR ASS'Y
 . JET, pilot
 . NOZZLE, main

4. Indication of No. of constituent parts for assembly.

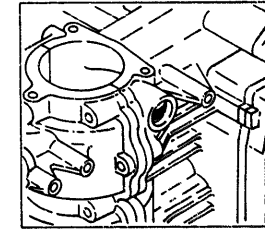
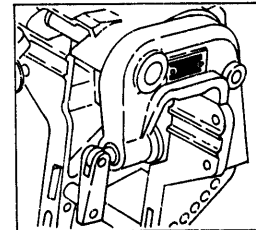
The numeral appearing to the right of each constituent part under the description indicates the quantity of such parts for each individual assembly unit.

EXAMPLE

Part No.	Description	Q'ty	Remarks
6E0-85500-70	C.D.I. MAGNETO ASS'Y	1	
6E0-85550-70	. ROTOR ASS'Y	1	
6E0-15723-00-94	.. PULLEY, starter	1	

5. Initial Serial No. and Color Code

Engine Serial No.	40HM	S:003420 and following L:303729 and following
	40HEO	S:103693 and following L:419146 and following
	40HEPO	S:250634 and following L:559413 and following
	40HMO	S:183517 and following L:482676 and following



Color Code	Color Name	Abbrviate
EK	METALLIC MARINE SILVER	MMS

CONTENTS

Sheet 1/2 (Fig. 1 to Fig. 24)

FIG. 1	CYLINDER. CRANKCASE	A4, A5
FIG. 2	CRANKSHAFT. PISTON	A6
FIG. 3	INTAKE	A7
FIG. 4	CARBURETOR	B1, B2
FIG. 5	STARTER	B3 ~ B5
FIG. 6	FUEL 1	B6, B7
FIG. 7	FUEL 2	C1
FIG. 8	TOP COWLING	C2
FIG. 9	BOTTOM COWLING	C3, C4
FIG. 10	BRACKET 1	C5, C6
FIG. 11	BRACKET 2	C7, D1
FIG. 12	STEERING	D2
FIG. 13	CONTROL	D3, D4
FIG. 14	UPPER CASING	D5
FIG. 15	LOWER CASING. DRIVE 1	D6 ~ E1
FIG. 16	LOWER CASING. DRIVE 2	E2, E3
FIG. 17	MAGNETO	E4
FIG. 18	ELECTRICAL	E5
FIG. 19	ALTERNATE 1 (40MO/40EO/40EPO MODEL)	E6
FIG. 20	ALTERNATE 2 (40MO MODEL)	E7, F1
FIG. 21	ALTERNATE 3 (40EO/40EPO MODEL)	F2 ~ F4
FIG. 22	ALTERNATE 4 (40MO/40EO 40EPO MODEL)	F5
FIG. 23	ALTERNATE 5 (40MO MODEL)	F6
FIG. 24	ALTERNATE 6 (40EO/40EPO MODEL)	F7
	NUMERICAL INDEX	

Sheet 2/2 (Fig. 25 to Fig. 41)

FIG. 25	ALTERNATE 7 (40EPO MODEL)	A4 ~ A6
FIG. 26	ALTERNATE 8 (40EPO MODEL)	A7, B1
FIG. 27	ALTERNATE 9 (40EO/40EPO MODEL)	B2, B3
FIG. 28	ALTERNATE 10 (40EO/40EPO MODEL)	B4
FIG. 29	ALTERNATE 11 (40EO/40EPO MODEL)	B5, B6
FIG. 30	ALTERNATE 12 (40EO/40EPO MODEL)	B7, C1
FIG. 31	REMOTE CONTROL	C2, C3
FIG. 32	STEERING GUIDE ATTACHMENT	C4
FIG. 33	REMOTE CONTROL ASSY 1	C5, C6
FIG. 34	REMOTE CONTROL ASSY 2	C7 ~ D2
FIG. 35	OPTIONAL PARTS 1	D3
FIG. 36	OPTIONAL PARTS 2	D4
FIG. 37	OPTIONAL PARTS 3	D5, D6
FIG. 38	OPTIONAL PARTS 4	D7
FIG. 39	OPTIONAL PARTS 5	E1
FIG. 40	REPAIR KIT 1	E2, E3
FIG. 41	REPAIR KIT 2	E4, E5
	NUMERICAL INDEX	

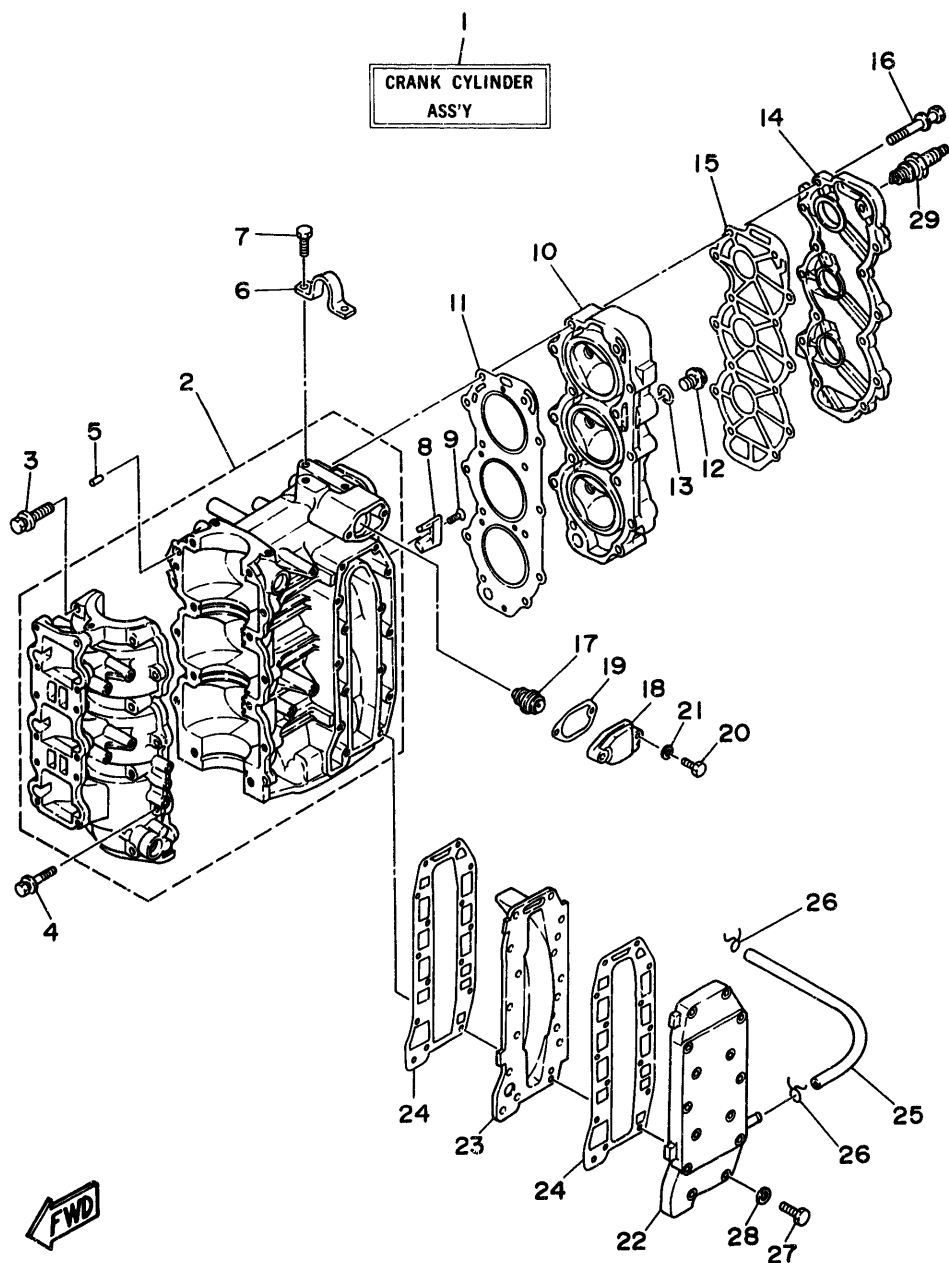
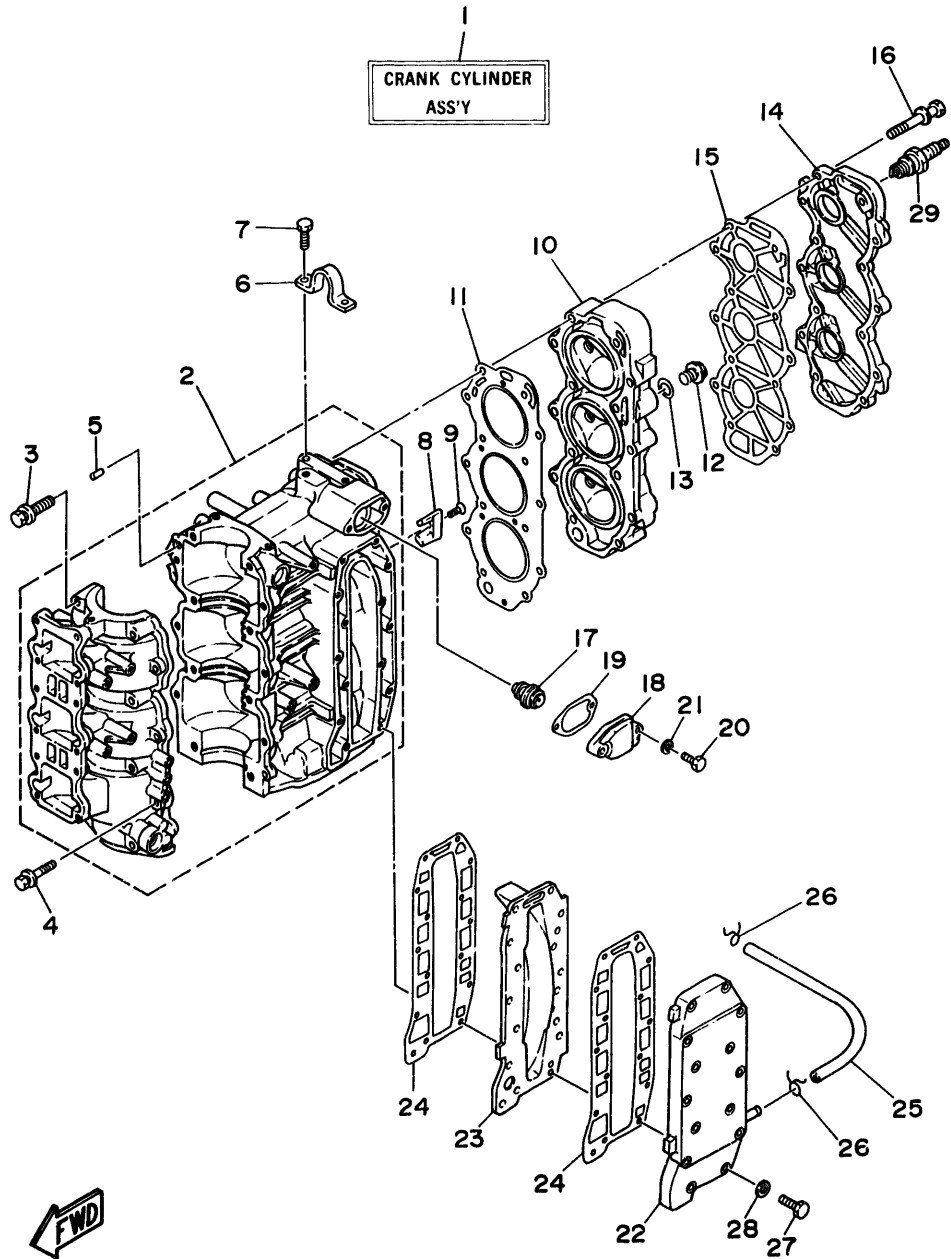


FIG. 1 CYLINDER. CRANKCASE

REF. NO.	PART NO.	DESCRIPTION	Q'TY	REMARKS
1	6H4-W0090-04-EK	CRANK CYLINDER ASSY	1	Ref.No. 2 to 28 and Fig.2, Ref.No. 1 to 18
2	6H4-15100-03-94	CRANKCASE ASSY	1	
3	90119-08M19	BOLT, with washer	8	
4	90119-06M13	BOLT, with washer	6	
5	93606-12019	PIN, dowel	2	
6	6H4-11119-00	HANGER, engine	1	
7	97313-06014	BOLT	2	
8	688-11325-00	ANODE	2	
9	98680-04016	SCREW, oval head	2	
10	6H4-11111-00-94	HEAD, cylinder 1	1	
11	6H4-11181-00	GASKET, cylinder head 1	1	
12	90340-14M00	PLUG, straight screw	1	
13	90430-14115	GASKET	1	
14	6H4-11191-00-9M	COVER, cylinder head 1	1	
15	6H4-11193-00	GASKET, head cover 1	1	
16	90119-08M29	BOLT, with washer	14	
17	6E5-12411-10	THERMOSTAT	1	
18	6H4-12413-00-9M	COVER, thermostat	1	
19	6H4-12414-00	GASKET, cover	1	
20	97313-06025	BOLT	2	
21	92990-06600	WASHER, plate	2	
22	6H4-41113-00-9M	OUTER COVER, exhaust	1	
23	6H4-41111-00-9M	INNER COVER, exhaust	1	
24	6H4-41114-00	GASKET, exhaust outer cover	2	
25	90445-09M37	HOSE	1	
26	90467-08004	CLIP	1	
27	97013-06035	BOLT	14	
28	92990-06600	WASHER, plate	14	

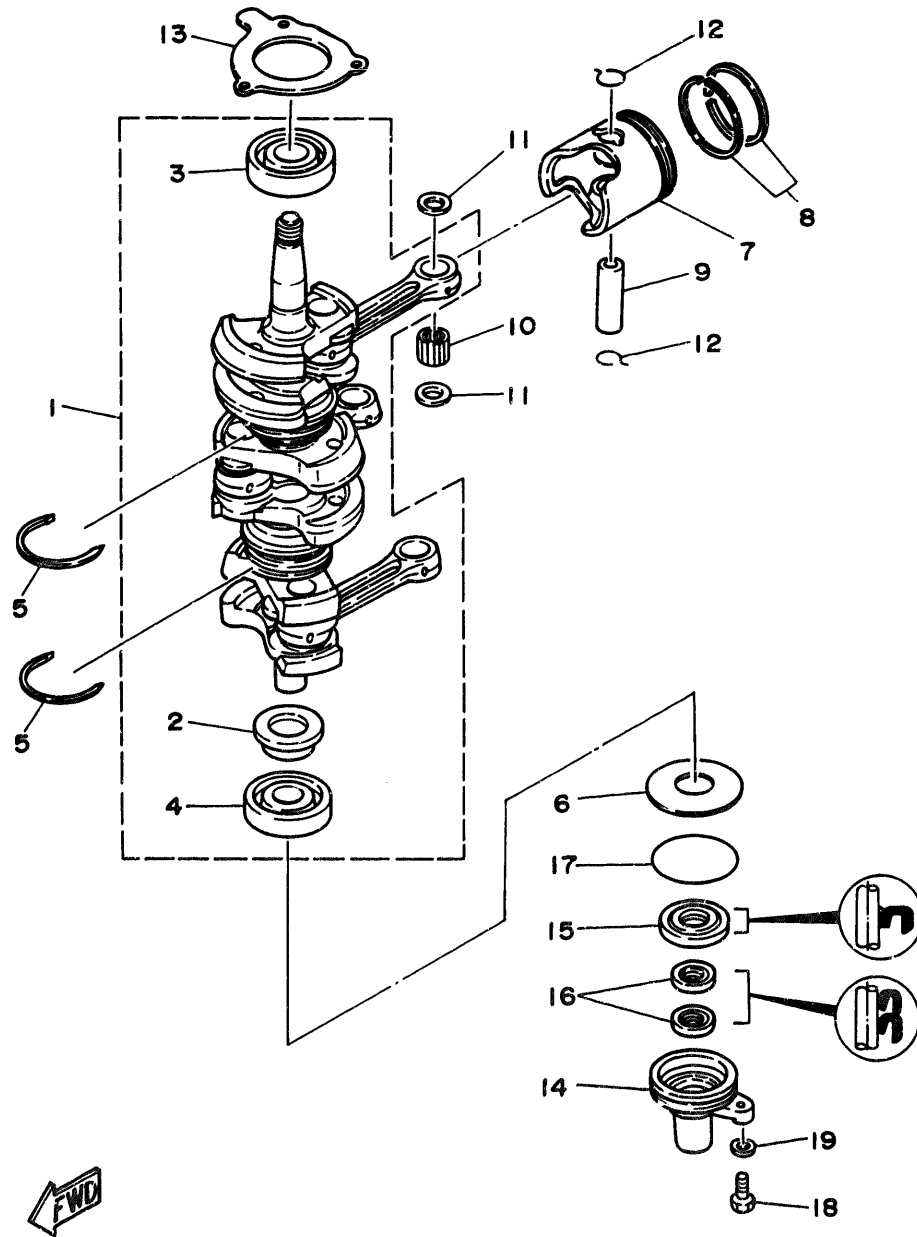
FIG. 1 CYLINDER. CRANKCASE



REF. NO.	PART NO.	DESCRIPTION	Q'TY	REMARKS
29	94701-00217	PLUG, spark (NGK B7HS-10)	3	

A5

FIG. 2 CRANKSHAFT. PISTON



REF. NO.	PART NO.	DESCRIPTION	Q'TY	REMARKS
1	6H4-11400-03	CRANKSHAFT ASSY	1	
2	6H4-11445-00	.SPACER	1	
3	93306-305U8	.BEARING	1	
4	93306-305U8	.BEARING	1	
5	93440-62057	CIRCLIP	2	
6	90201-50306	WASHER, plate	1	
7	6H4-11631-01-95	PISTON (STD)	3	
	6H4-11635-01	PISTON (0.25MM O/S)	3	AP
	6H4-11636-01	PISTON (0.50MM O/S)	3	AP
8	6H4-11601-00	PISTON RING SET (STD)	3	
	6H4-11601-10	PISTON RING SET (1ST O/S)	3	AP
	6H4-11601-20	PISTON RING SET (2ND O/S)	3	AP
9	648-11633-00	PIN, piston	3	
10	93602-20M02	PIN, dowel	93	
11	6H4-11641-00	WASHER, piston pin	6	
12	6H4-11634-01	CLIP, piston pin	6	
13	6H4-15369-01	GASKET, oil seal housing	1	
14	6H4-15396-02-9M	HOUSING, oil seal	1	
15	93102-25M28	OIL SEAL	1	
16	93104-16M04	OIL SEAL	2	
17	93210-57M09	O-RING	1	
18	97313-06020	BOLT	1	
19	92990-06600	WASHER, plate	1	

FIG. 3 INTAKE

REF. NO.	PART NO.	DESCRIPTION	Q'TY	REMARKS
1	6H5-13610-00	REED VALVE ASSY	3	
2	6H4-W0004-00	.REED SET	1	
3	98580-05016	SCREW, pan head	6	
4	92990-05600	WASHER, plate	6	
5	6H4-13641-20-94	MANIFOLD 1	1	40M MODEL
6	6H4-13624-01-94	PLATE, reed valve	1	
7	6H4-13621-01	GASKET, valve seat	2	
8	97313-06020	BOLT	12	
9	92990-06600	WASHER, plate	12	
10	6H4-14198-01	GASKET	3	
11	6H4-14406-00	HINGE	1	
12	97313-06095	BOLT	6	
13	6H4-14431-01	SILENCER, intake 1	1	UR 40M/40MO MODEL
	6H4-14431-11	SILENCER, intake 1	1	UR 40E0/40EPO MODEL
14	6H3-14457-01	SEAL	3	
15	97895-06040	SCREW, pan head	2	
16	97895-06055	SCREW, pan head	2	
17	90209-06M05	WASHER	4	
18	6H4-41257-00	ROD, choke 2	2	40M/40MO MODEL
19	661-41262-02	JOINT, choke lever	4	40M/40MO MODEL
20	6H4-41271-01	KNOB, choke	1	40M/40MO MODEL
21	6H4-41259-01	ROD, choke 3	1	40M/40MO MODEL
22	6J8-41262-00	JOINT, choke lever	1	40M/40MO MODEL
23	6J8-41274-00	GROMMET 2	1	40M/40MO MODEL
24	6H4-41217-01	ROD, accel. lever	1	40M/40MO MODEL
25	689-41273-00	GROMMET	1	40M/40MO MODEL
26	90464-06M19	CLAMP	1	40M/40MO MODEL

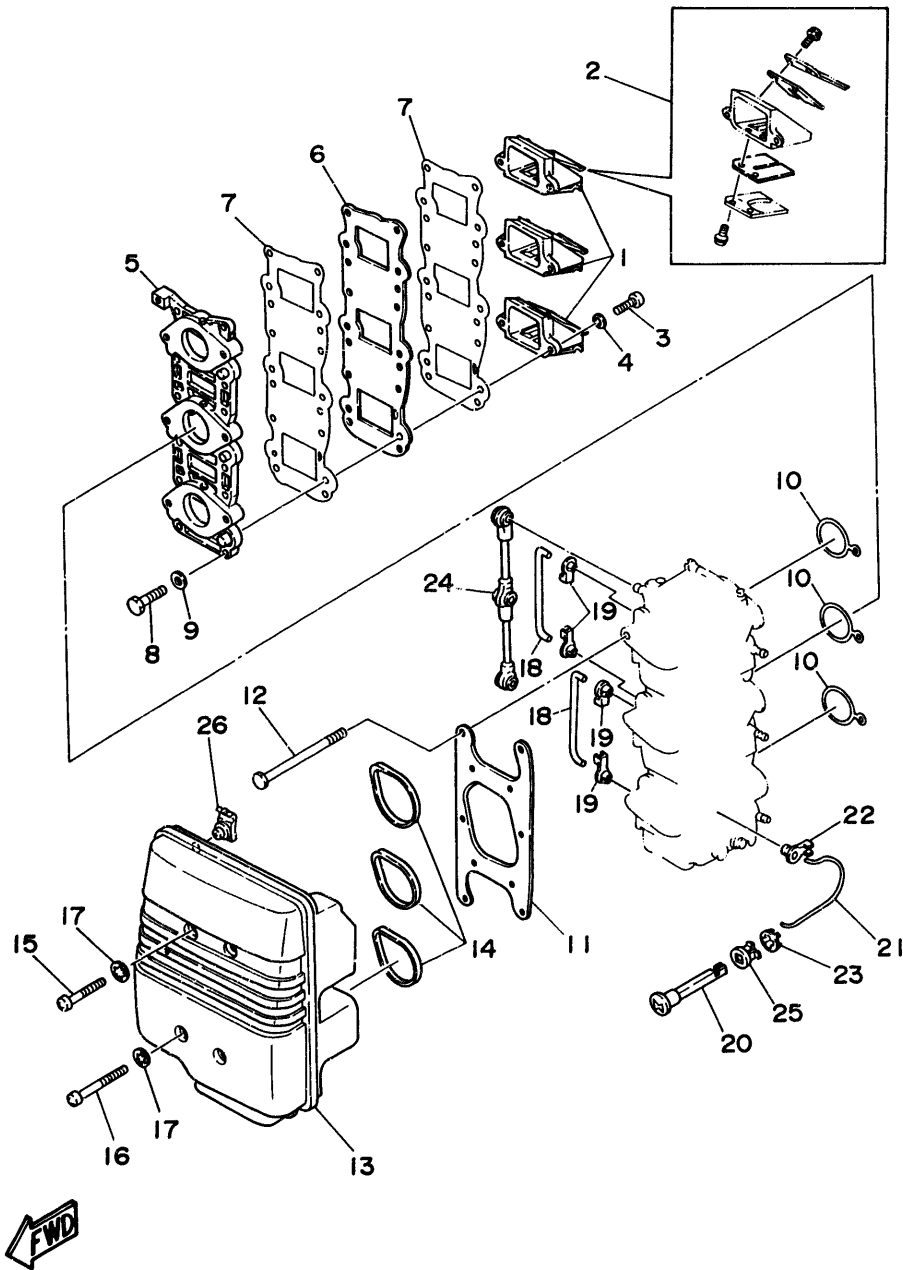
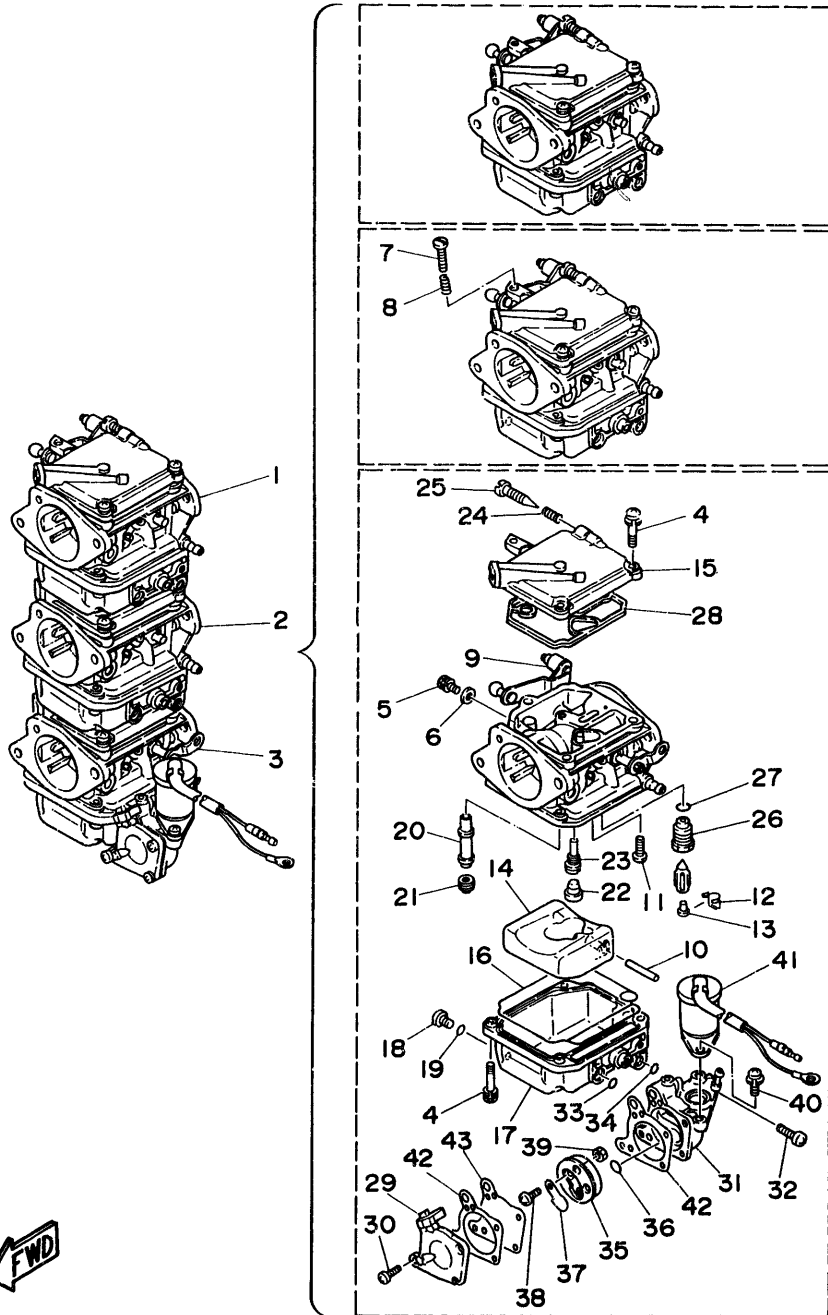


FIG. 4 CARBURETOR

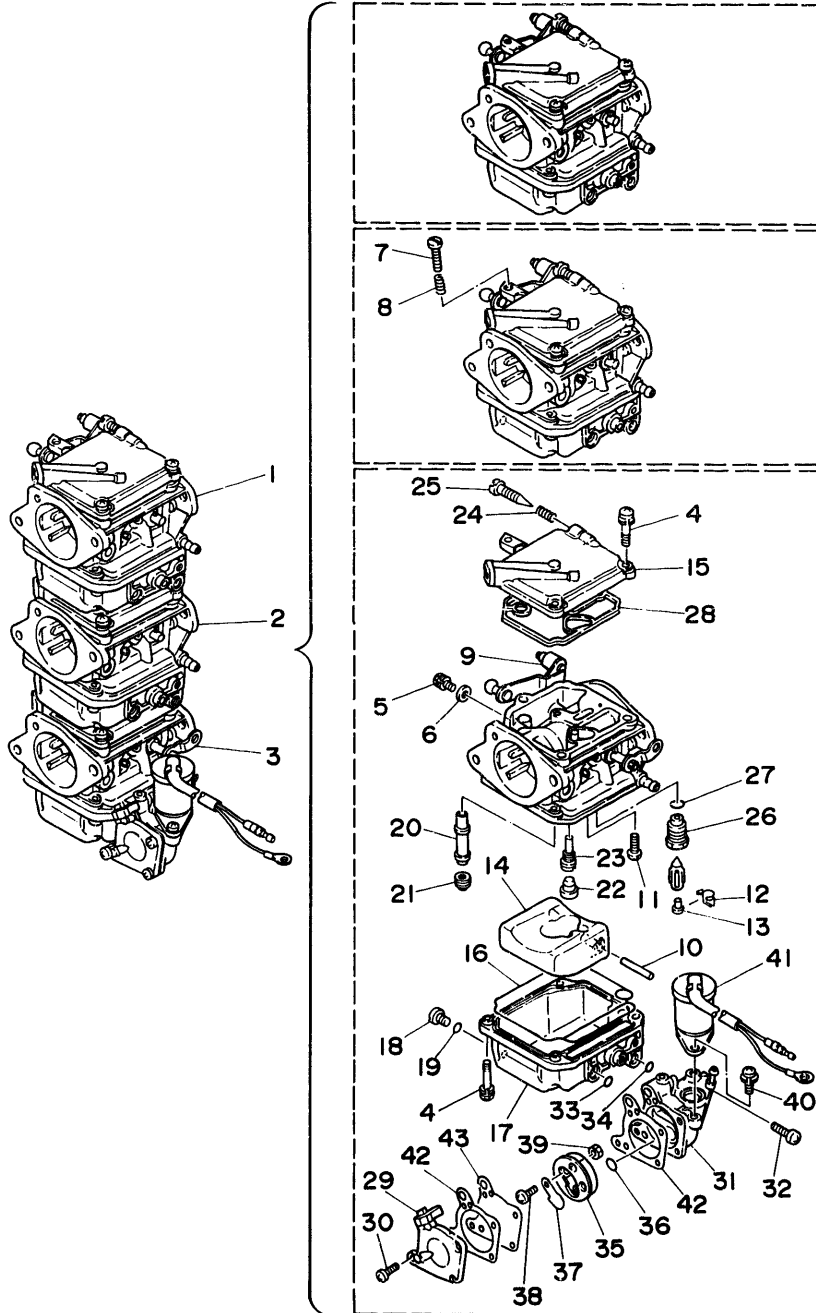
REF. NO.	PART NO.	DESCRIPTION	Q'TY	REMARKS
1	6H4-14301-08	CARBURETOR ASSY 1	1	UR 40M/40MO MODEL
	6H4-14301-11	CARBURETOR ASSY 1	1	UR 40EO/40EPO MODEL
2	6H4-14302-08	CARBURETOR ASSY 2	1	UR 40M/40MO MODEL
	6H4-14302-11	CARBURETOR ASSY 2	1	UR 40EO/40EPO MODEL
3	6H4-14303-08	CARBURETOR ASSY 3	1	UR 40M/40MO MODEL
	6H4-14303-11	CARBURETOR ASSY 3	1	UR 40EO/40EPO MODEL
4	97980-04114	.SCREW, with washer	21	
5	663-14592-00	.SCREW	3	
6	90201-05652	.WASHER, plate	3	
7	663-14523-00	.SCREW, stop	1	
8	90501-10326	.SPRING, compression	1	
9	6H2-14578-00	.COLLAR	1	
10	6H4-14548-00	.PIN, float arm	3	
11	98580-04008	.SCREW, pan head	3	
12	663-14159-00	.CLIP	3	
13	676-14186-00	.PIN, float	3	
14	6H4-14985-00	.FLOAT	3	
15	6H4-14146-00	.PLATE	3	
16	6H4-14984-00	.GASKET, float chamber	3	
17	6H4-14980-00	.BODY, float chamber	3	40M/40MO MODEL
	6H4-14980-00	.BODY, float chamber	2	UPPER/CENTER 40EO/40EPO MODEL
	6H4-14980-10	.BODY, float chamber	1	LOWER 40EO/40EPO MODEL
18	6H3-14992-00	.SCREW, drain	3	
19	93210-04230	.O-RING	3	
20	6H4-14947-07	.JET, needle	3	
21	676-14943-30	.JET, main (#115)	2	UR UPPER/LOWER 40M/40MO MODEL
	676-14943-31	.JET, main (#120)	2	UR UPPER/LOWER 40EO/40EPO MODEL
	676-14943-31	.JET, main (#120)	1	UR CENTER 40M/40MO MODEL



B1

FIG. 4 CARBURETOR

REF. NO.	PART NO.	DESCRIPTION	Q'TY	REMARKS
21	676-14943-32	.JET, main (#125)	1	UR CENTER 40E0/40EPO MODEL
22	676-14966-00	.CAP	3	
23	6H4-14948-11	.JET (#60)	3	
24	679-14555-00	.SPRING	3	
25	692-14923-00	.SCREW, pilot	3	
26	6H3-14590-00	.NEEDLE VALVE ASSY	3	
27	93210-04228	.O-RING	3	
28	6H4-14147-00	.O-RING	3	
29	6H4-24452-01	.COVER	1	40E0/40EPO MODEL
30	6H4-14567-00	.SCREW	4	40E0/40EPO MODEL
31	6H4-24412-00	.BODY 1	1	40E0/40EPO MODEL
32	6H4-14592-10	.SCREW	2	40E0/40EPO MODEL
33	6H4-14561-00	.O-RING	1	40E0/40EPO MODEL
34	6H4-14562-00	.O-RING	1	40E0/40EPO MODEL
35	6H4-24413-00	.BODY 2	1	40E0/40EPO MODEL
36	6H4-24486-00	.O-RING	1	40E0/40EPO MODEL
37	6L5-24421-00	.VALVE, check	2	40E0/40EPO MODEL
38	98980-03006	.SCREW, bind	2	40E0/40EPO MODEL
39	95380-03600	.NUT	2	40E0/40EPO MODEL
40	97980-05310	.SCREW, with washer	2	40E0/40EPO MODEL
41	6H4-86120-00	.SOLENOID VALVE ASSY	1	40E0/40EPO MODEL
42	6H5-24434-00	.GASKET, body	2	40E0/40EPO MODEL
43	6H5-24411-00	.DIAPHRAGM	1	40E0/40EPO MODEL



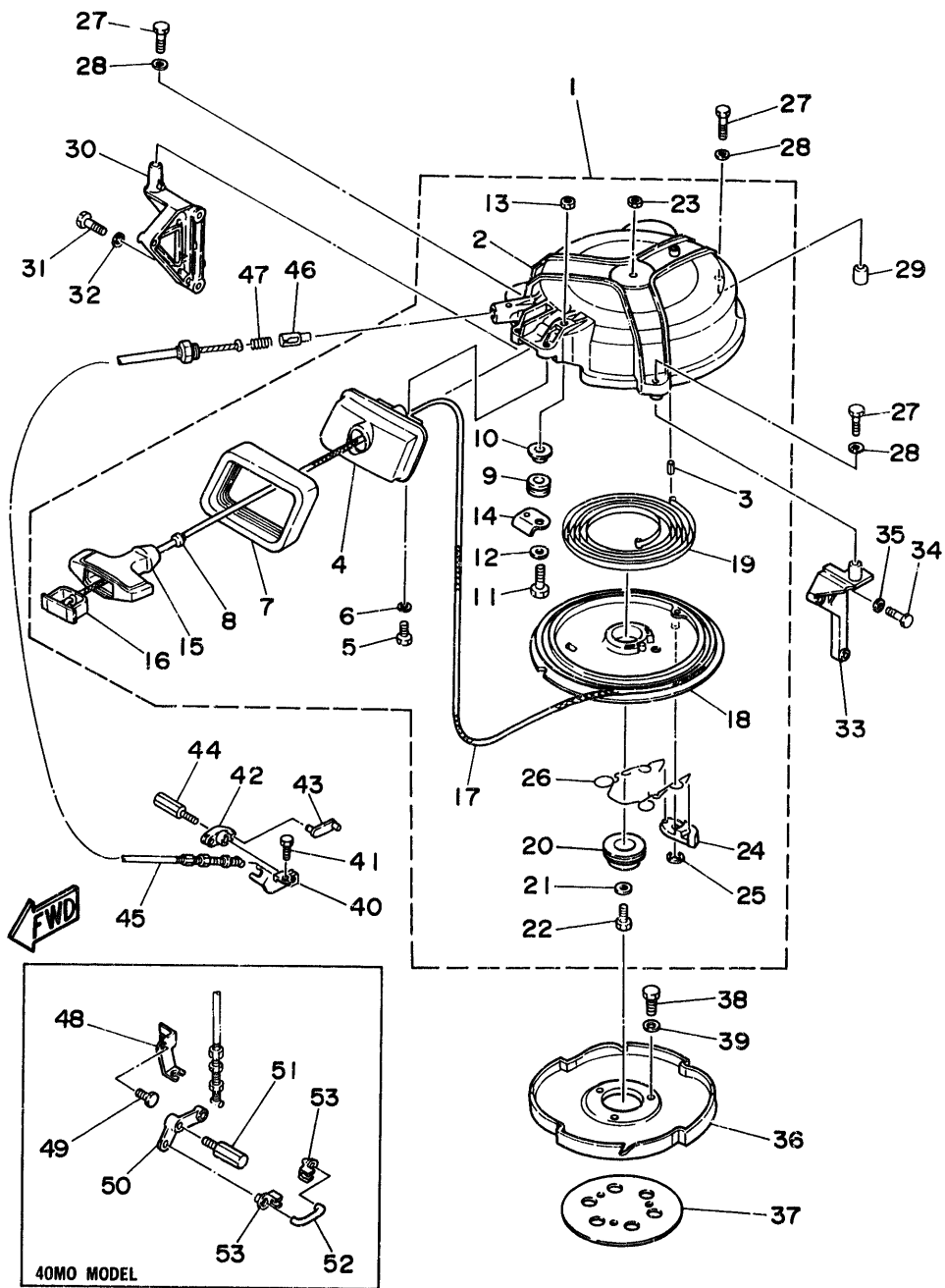


FIG. 5 STARTER

REF. NO.	PART NO.	DESCRIPTION	Q'TY	REMARKS
1	6H4-15710-02-94	STARTER ASSY	1	
2	6H4-15711-02-94	.CASE, starter	1	
3	91690-40018	.PIN, spring	1	
4	6H4-15758-00-94	.GUIDE, rope	1	
5	97395-06016	.BOLT	2	
6	92990-06600	.WASHER, plate	2	
7	6H4-15762-00	.SEAL, rubber 2	1	
8	6A0-15789-00	.DAMPER	1	
9	6F5-15752-00	.ROLLER, wire	1	
10	90387-06M69	.COLLAR	1	
11	97313-06030	.BOLT	1	
12	92990-06600	.WASHER, plate	1	
13	95380-06600	.NUT	1	
14	6H4-15787-01	.ADAPTOR	1	
15	689-15755-01	.HANDLE, starter	1	
16	6F5-15779-02	.COVER	1	
17	*	.WIRE (L:2095MM)	1	
18	6H4-15714-00	.DRUM, sheave	1	
19	90510-08002	.SPRING, spiral	1	
20	6H4-15717-00	.SHAFT, starter	1	
21	90201-06060	.WASHER, plate	1	
22	97313-06020	.BOLT	1	
23	95303-06600	.NUT	1	
24	676-15741-03	.PAWL, drive	1	
25	93430-06M02	.CIRCLIP	1	

*Cut from 50m rolls, parts No. 90890-44373, cutting length 2.095m.

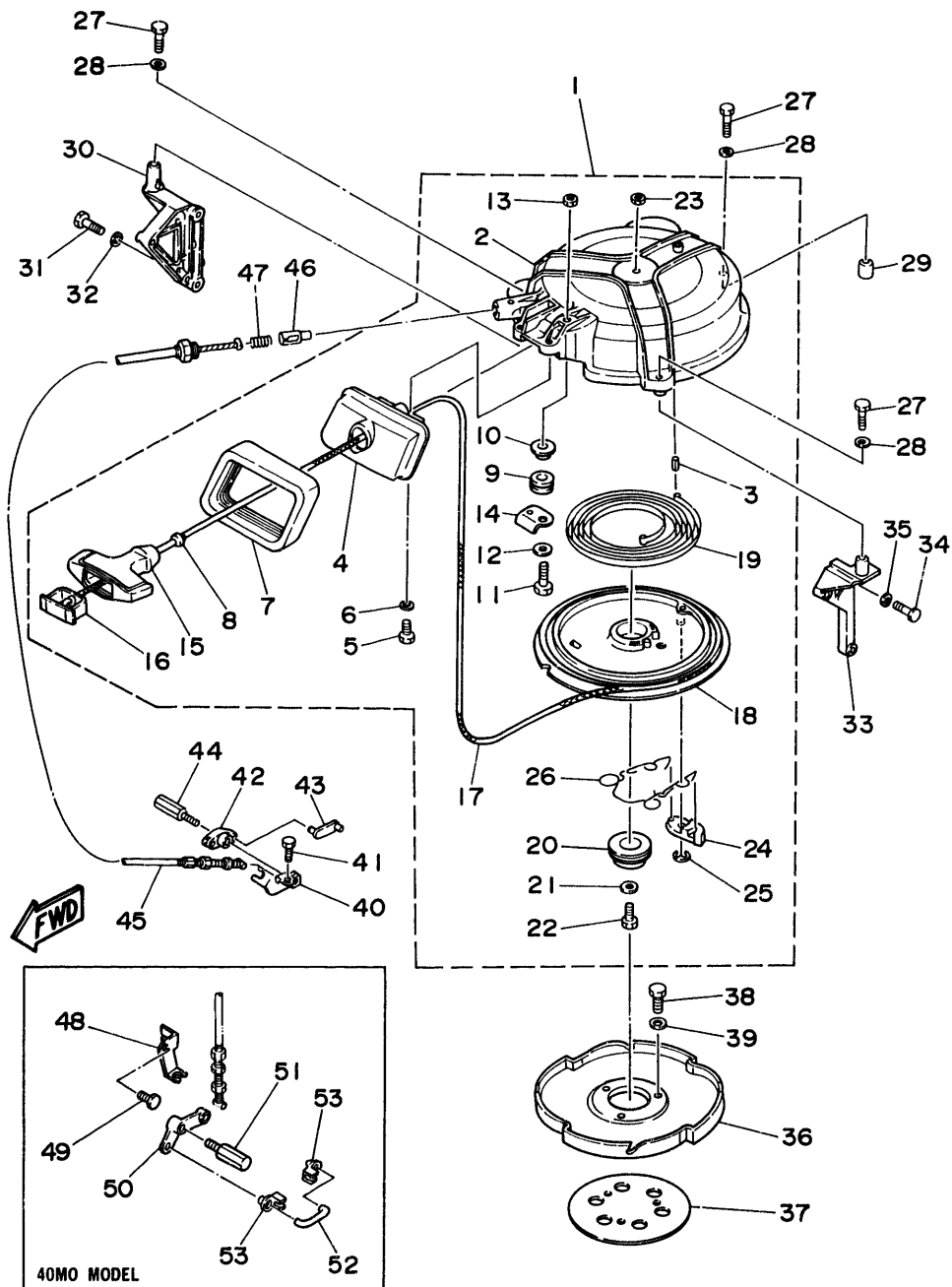
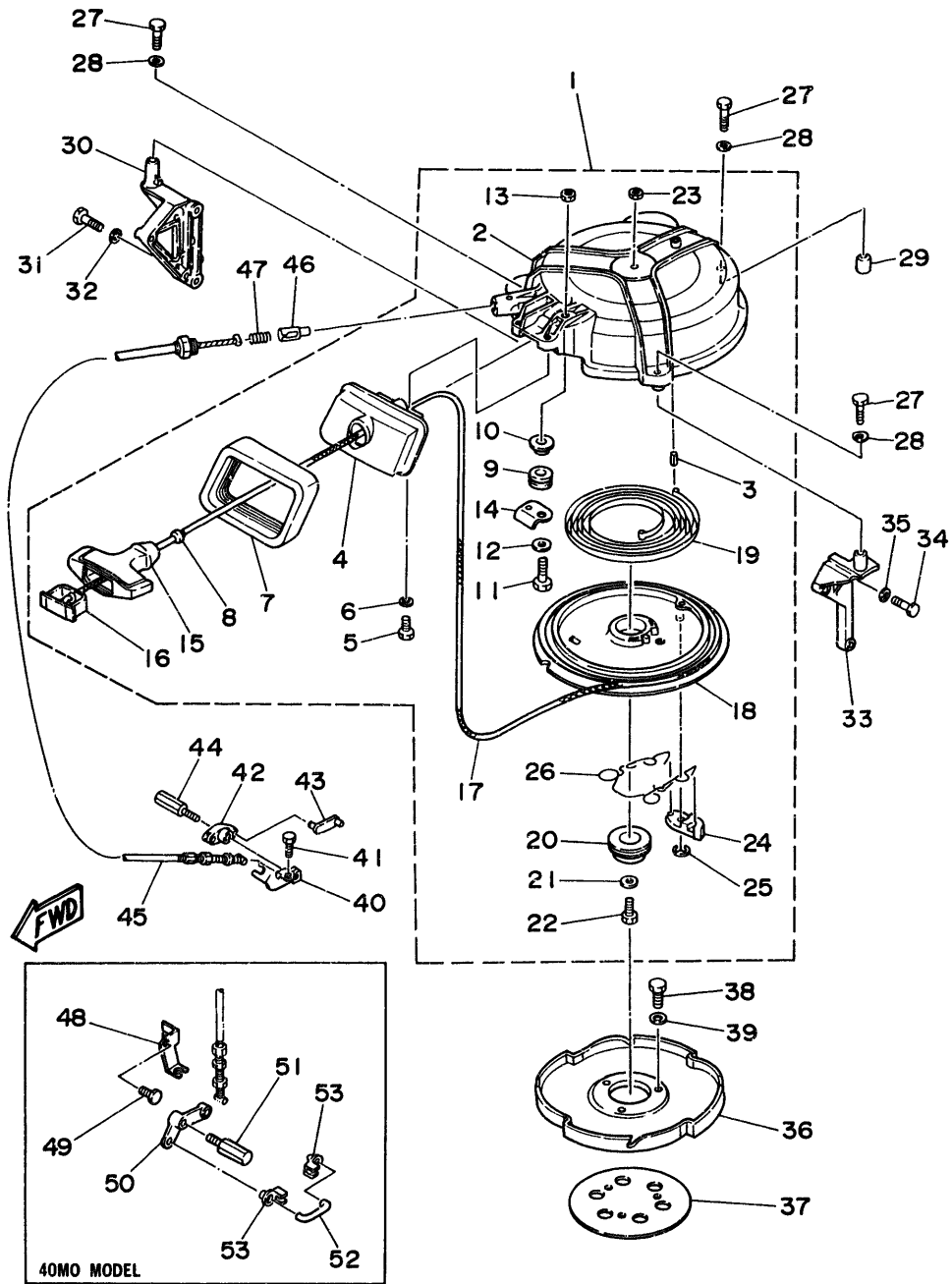


FIG. 5 STARTER

REF. NO.	PART NO.	DESCRIPTION	Q'TY	REMARKS
26	6H4-15705-00	.SPRING, drive pawl	1	
27	97013-06035	BOLT	3	
28	92990-06600	WASHER, plate	3	
29	99530-10014	PIN, dowel	1	
30	6H4-15771-01-94	STAY 1	1	
31	97313-08030	BOLT	2	
32	92990-08600	WASHER, plate	2	
33	6H4-15772-02-94	STAY 2	1	
34	97313-06025	BOLT	3	
35	92990-06600	WASHER, plate	3	
36	6H4-15723-01-94	PULLEY, starter	1	
37	6J8-81365-00	GASKET, hole cover	1	
38	97313-08020	BOLT	3	
39	92990-08600	WASHER, plate	3	
40	6H4-15774-00	STAY 4	1	
41	97013-06012	BOLT	1	
42	682-15746-00	ARM	1	
43	6H4-15747-00	LINK	1	
44	90109-06M04	BOLT	1	
45	6H4-15770-00	CABLE COMP., starter stop	1	UR 40M MODEL
	6H4-15770-10	CABLE COMP., starter stop	1	UR 40MO MODEL
46	656-15748-00	PLUNGER, starter stop	1	
47	90501-10227	SPRING, compression	1	
48	6H4-15774-10	STAY 4	1	40MO MODEL
49	97013-06012	BOLT	1	40MO MODEL
50	6H4-15746-00	ARM	1	40MO MODEL
51	90109-06M04	BOLT	1	40MO MODEL
52	6H4-15747-10	LINK	1	40MO MODEL

FIG. 5 STARTER



REF. NO.	PART NO.	DESCRIPTION	Q'TY	REMARKS
53	661-41262-02	JOINT, choke lever	2	40MO MODEL

B5

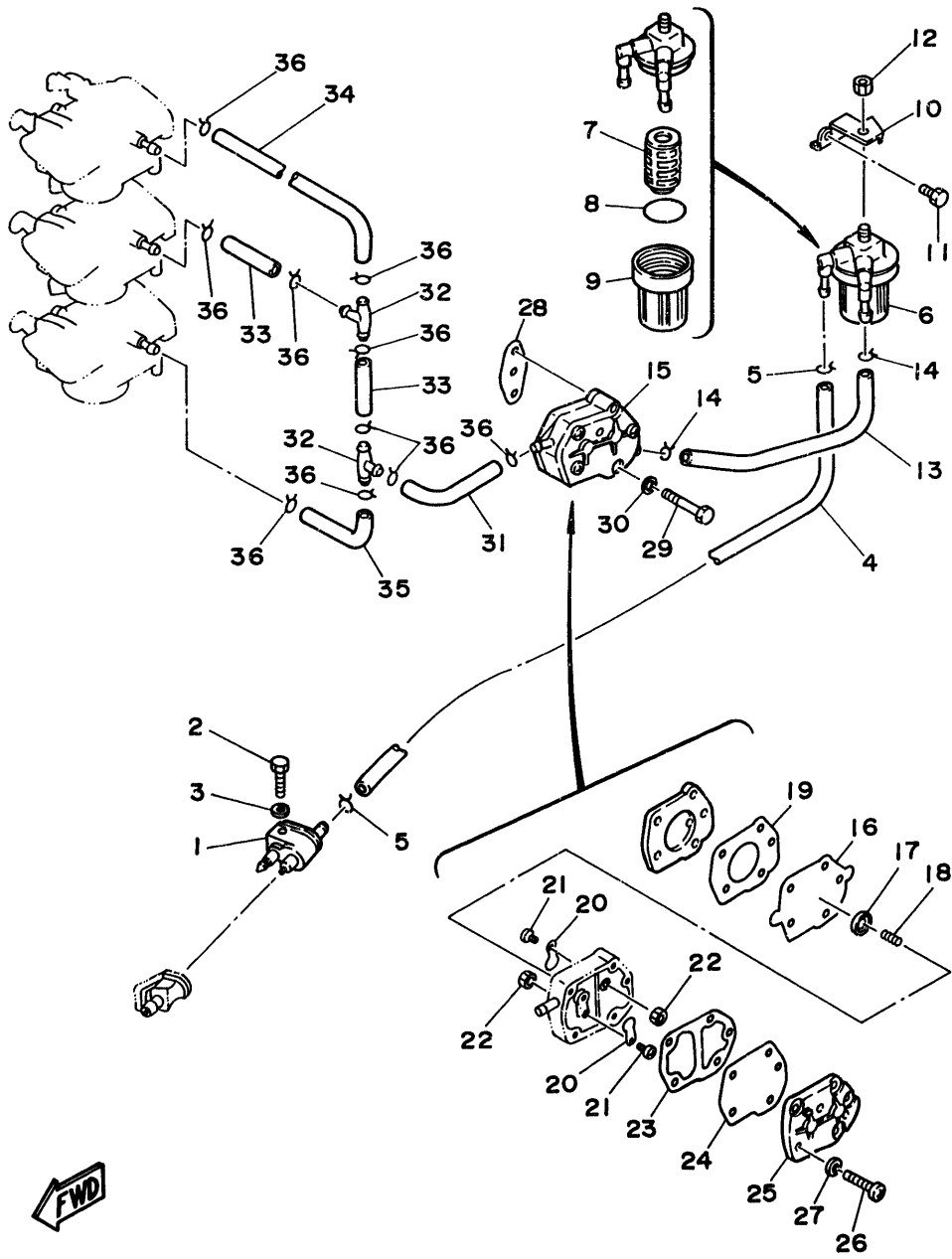


FIG. 6 FUEL 1

REF. NO.	PART NO.	DESCRIPTION	Q'TY	REMARKS
1	6G1-24304-02	FUEL PIPE JOINT COMP. 1	1	
2	97395-06025	BOLT	1	
3	92990-06600	WASHER, plate	1	
4	90445-09M37	HOSE	1	
5	90467-08004	CLIP	2	
6	655-24560-01	FILTER ASSY	1	
7	6F5-24563-00	.ELEMENT, filter	1	
8	93210-37M25	.O-RING	1	
9	655-24521-01	.CUP, filter	1	
10	6H4-24566-01	BRACKET, filter	1	
11	97013-06012	BOLT	1	
12	95380-08600	NUT	1	
13	6H4-24314-00	PIPE 4	1	
14	90467-08004	CLIP	2	
15	6A0-24410-04	FUEL PUMP ASSY	1	
16	648-24411-00	.DIAPHRAGM	1	
17	648-24424-00	.SEAT, spring	1	
18	648-24423-00	.SPRING, diaphragm	1	
19	648-24434-01	.GASKET, body	1	
20	6A0-24421-01	.VALVE, check	2	
21	6A0-14325-00	.SCREW, pan head	2	
22	95380-03600	.NUT	2	
23	648-24435-02	.GASKET, body 2	1	
24	663-24411-00	.DIAPHRAGM	1	
25	648-24413-01	.BODY 2	1	
26	98580-05530	.SCREW, pan head	3	
27	92990-05100	.WASHER, spring	3	
28	650-24431-00	GASKET, fuel pump 1	1	

B6

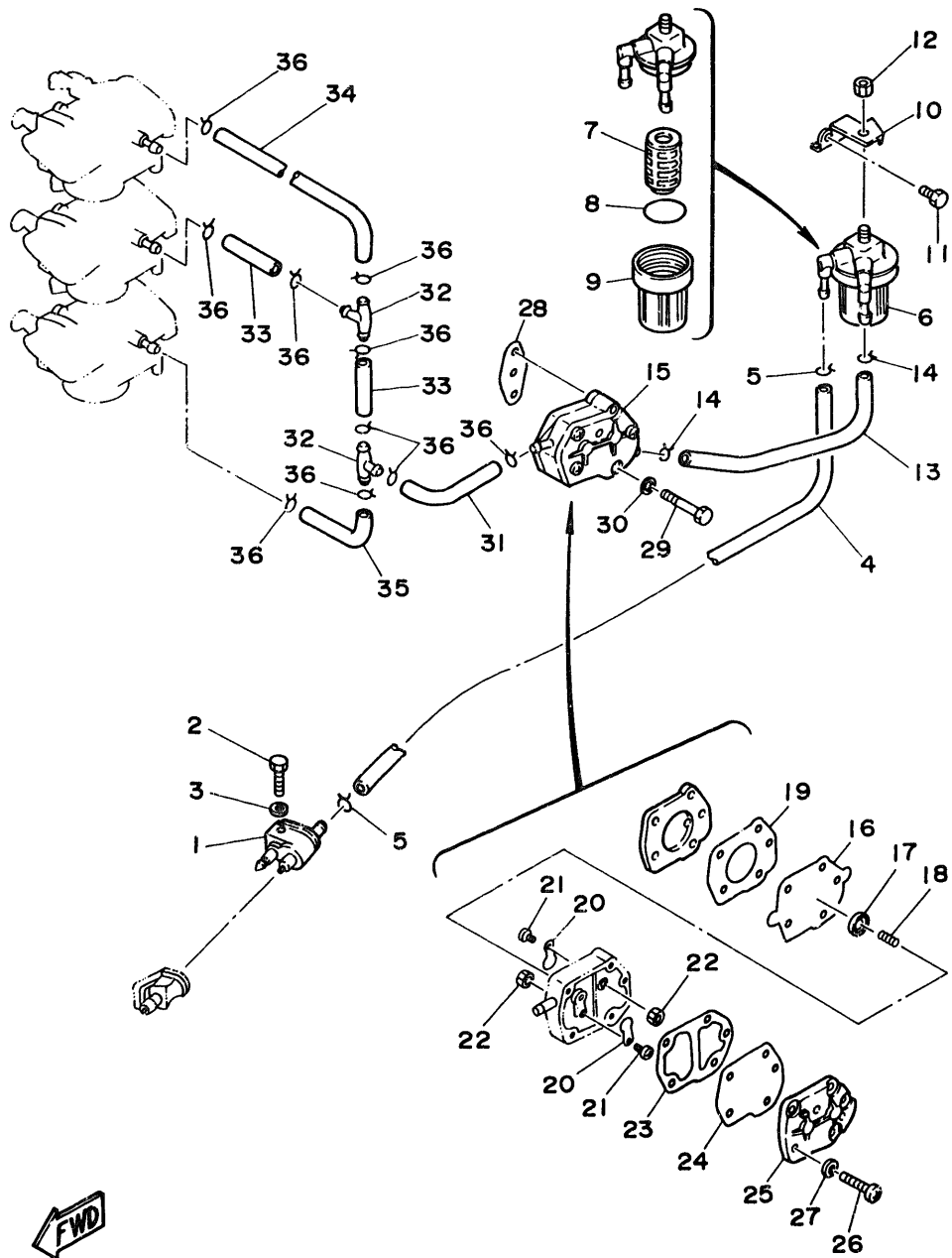


FIG. 6 FUEL 1

REF. NO.	PART NO.	DESCRIPTION	Q'TY	REMARKS
29	97395-06040	BOLT	2	
30	92990-06600	WASHER, plate	2	
31	90445-09063	HOSE	1	
32	688-24378-00	PIPE, joint 4	2	
33	90445-09057	HOSE	2	
34	6H4-24313-00	PIPE 3	1	
35	6H4-24312-00	PIPE 2	1	
36	90467-08004	CLIP	10	

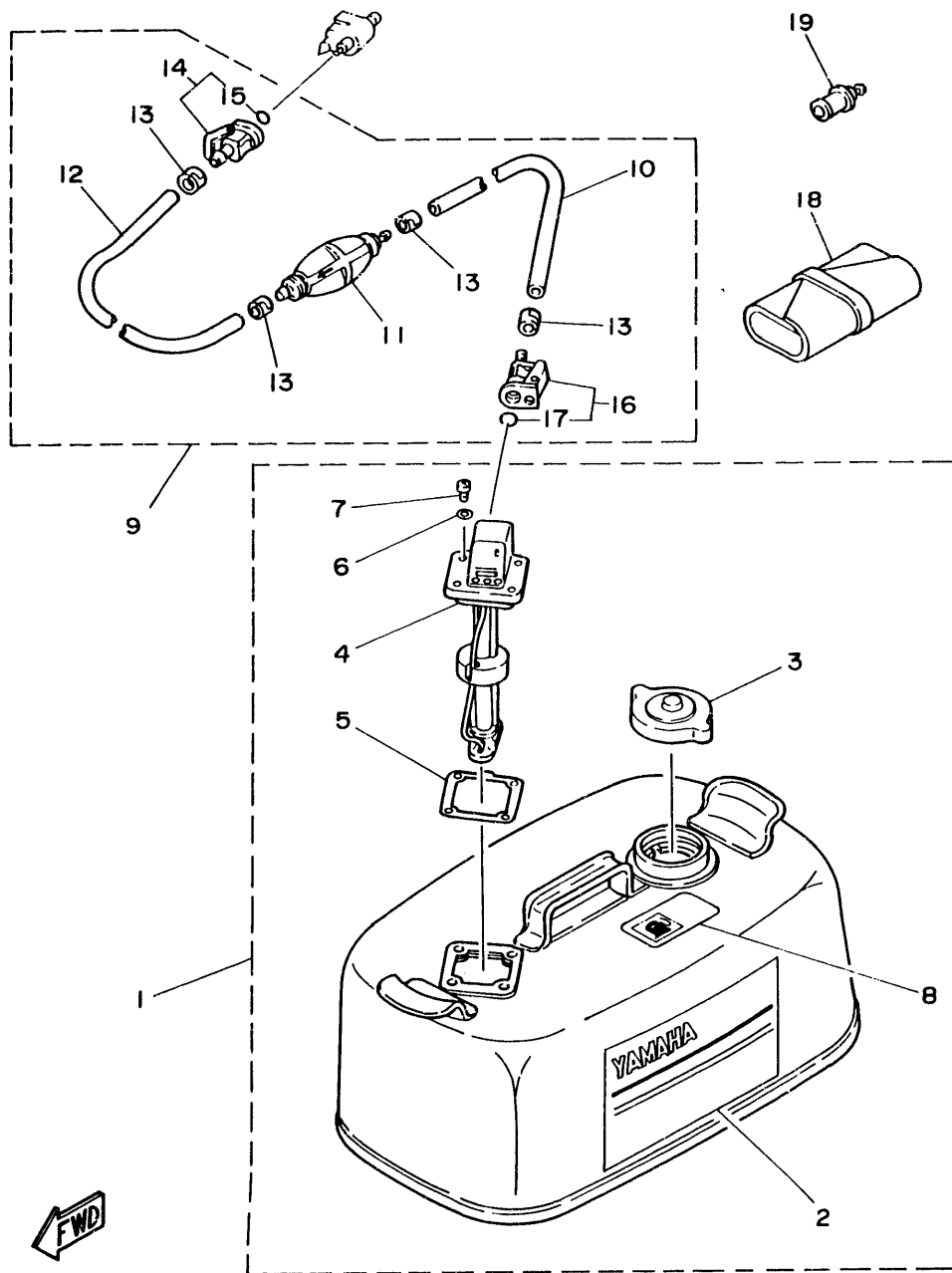
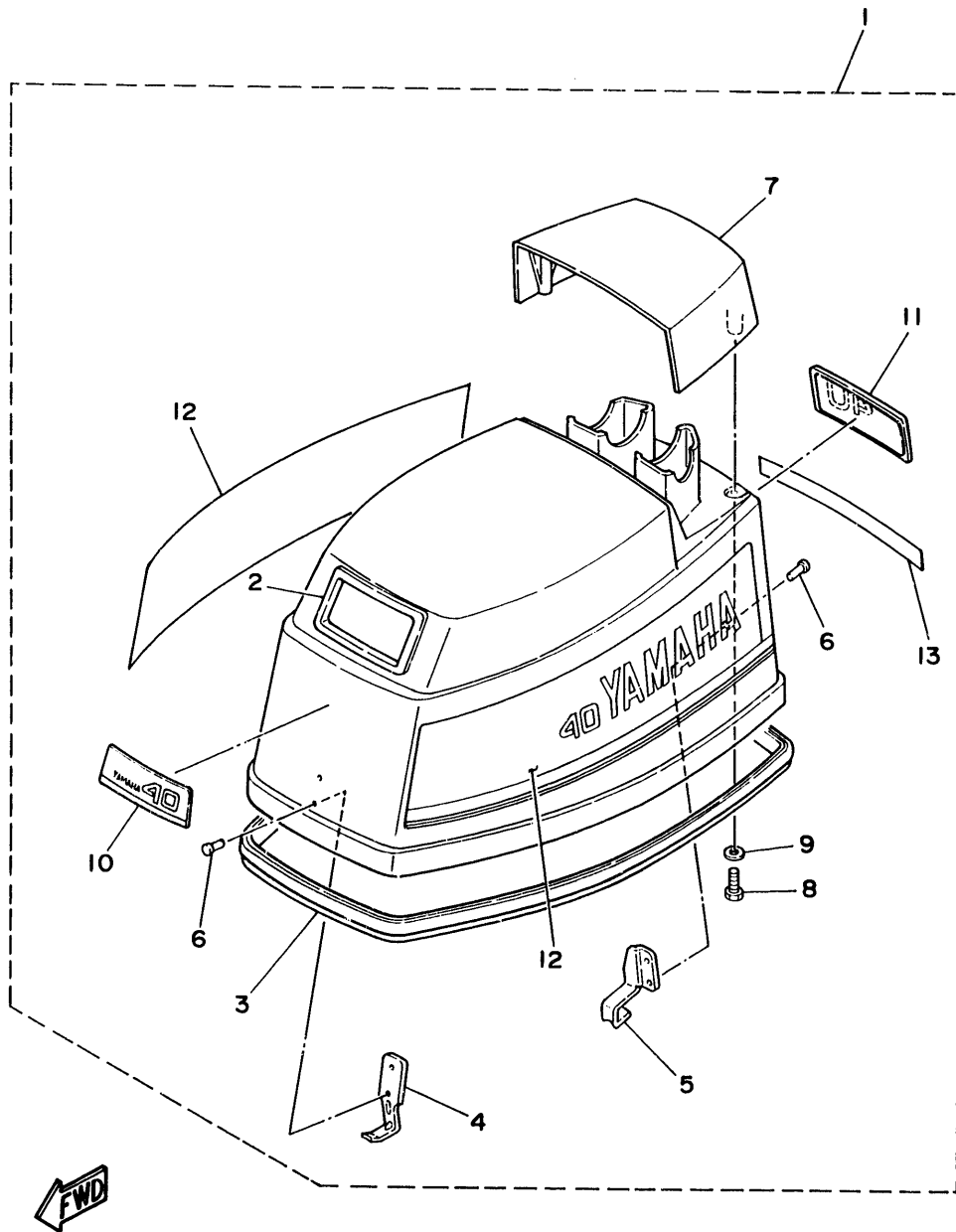


FIG. 7 FUEL 2

REF. NO.	PART NO.	DESCRIPTION	Q'TY	REMARKS
1	6Y1-W2420-42-24	FUEL TANK ASSY	1	40M MODEL
2	6Y1-24244-20	.GRAPHIC, side	1	
3	6Y1-24610-00	.CAP ASSY	1	
4	6Y1-24260-02	.FUEL METER ASSY	1	
5	6Y1-24268-00	.GASKET, fuel meter	1	
6	6Y1-24329-00	.SEAL	4	
7	98586-05016	.SCREW, pan head	4	
8	6Y1-24255-40	.GRAPHIC, fuel tank 8	1	
9	6Y1-24306-51	FUEL PIPE COMP. 1	1	
# 10	90445-11M06	.HOSE (L2050)	1	
11	6Y1-24360-51	.PRIMER PUMP ASSY	1	
# 12	90445-11M05	.HOSE (L850)	1	
13	650-24351-51	.BAND 1	4	
14	6G1-24305-00	.FUEL PIPE JOINT COMP. 2	1	
15	93210-08287	..O-RING	1	
16	6Y1-24305-01	.FUEL PIPE JOINT COMP. 2	1	
17	93210-08287	..O-RING	1	
18	656-W2810-01	TOOL KIT	1	
19	6E0-28193-00-94	PLUG, water check	1	

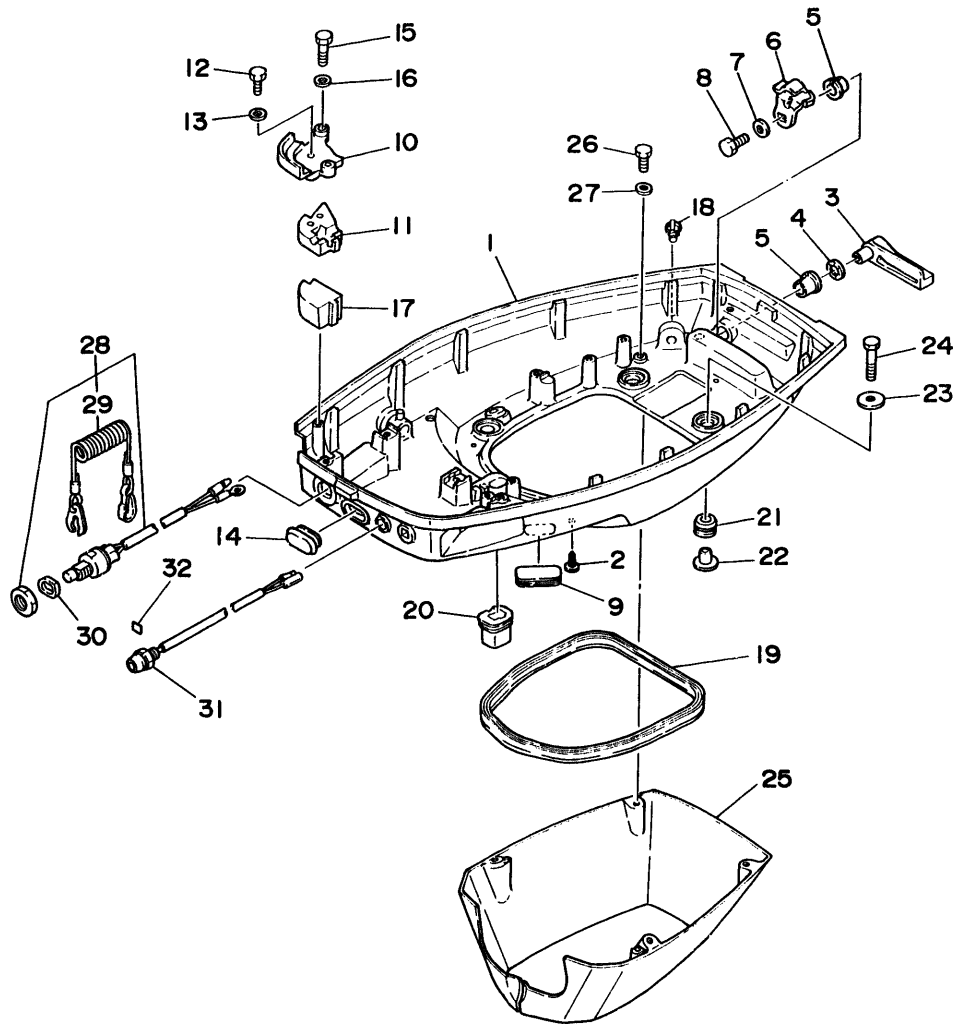
Also available in 30m rolls. (Parts No. 90890-56878)

FIG. 8 TOP COWLING



REF. NO.	PART NO.	DESCRIPTION	Q'TY	REMARKS
1	6H4-42610-H2-EK	TOP COWLING ASSY	1	40M MODEL
2	6H4-15761-00	.SEAL, rubber 1	1	
3	6H4-42615-00	.SEAL	1	
4	6H4-42651-00	.HOOK	1	
5	6H4-42652-00	.HOOK	1	
6	90266-04M01	.RIVET	4	
7	6H4-42613-00-EK	.MOLDING, air duct	1	
8	97395-06016	.BOLT	4	
9	92990-06600	.WASHER, plate	4	
10	6H4-42686-02	.EMBLEM, front	1	
11	6H4-42687-01	.EMBLEM, rear	1	
12	6H4-W0070-H2	.GRAPHIC SET	1	
13	6H4-42682-10	.MARK, cowling	1	

FIG. 9 BOTTOM COWLING

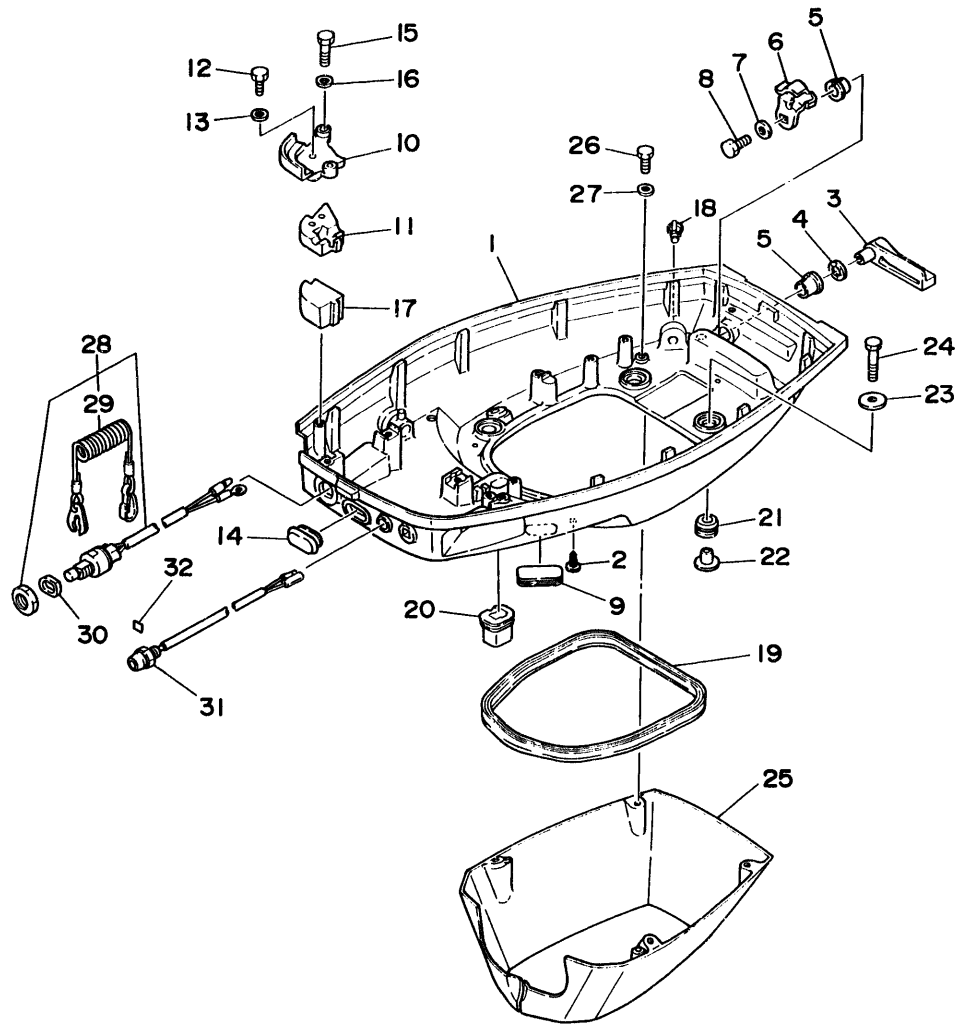


FWD

REF. NO.	PART NO.	DESCRIPTION	Q'TY	REMARKS
1	6H4-42711-04-EK	COWLING, bottom	1	
2	90338-05M03	PLUG	1	
3	6H4-42815-00	LEVER, clamp	1	
4	90206-12052	WASHER, wave	1	
5	90386-12069	BUSH	2	
6	6H4-42816-00	LEVER, clamp	1	
7	90201-06M02	WASHER, plate	1	
8	97313-06010	BOLT	1	
9	6H4-42726-00	GROMMET	1	UR
	6H5-42726-00	GROMMET	1	UR 40EPO MODEL
10	6H4-48531-00-94	BRACKET, remote control 1	1	
11	6H4-48532-00-94	BRACKET, remote control 2	1	
12	97313-05016	BOLT	1	
13	92990-05600	WASHER, plate	1	
14	6H3-42727-00	GROMMET	1	
15	97313-06020	BOLT	2	
16	92990-06600	WASHER, plate	2	
17	6H4-42724-00	GROMMET	1	
18	6E5-44391-00	NIPPLE, hose	1	
19	6H4-42716-00	RUBBER, seal 1	1	
20	682-42727-00	GROMMET	1	
21	90480-09M21	GROMMET	4	
22	90387-06M41	COLLAR	4	
23	90201-06416	WASHER, plate	4	
24	97313-06030	BOLT	4	
25	6H4-42741-00	APRON	1	
26	97395-06016	BOLT	4	
27	92990-06600	WASHER, plate	4	

C3

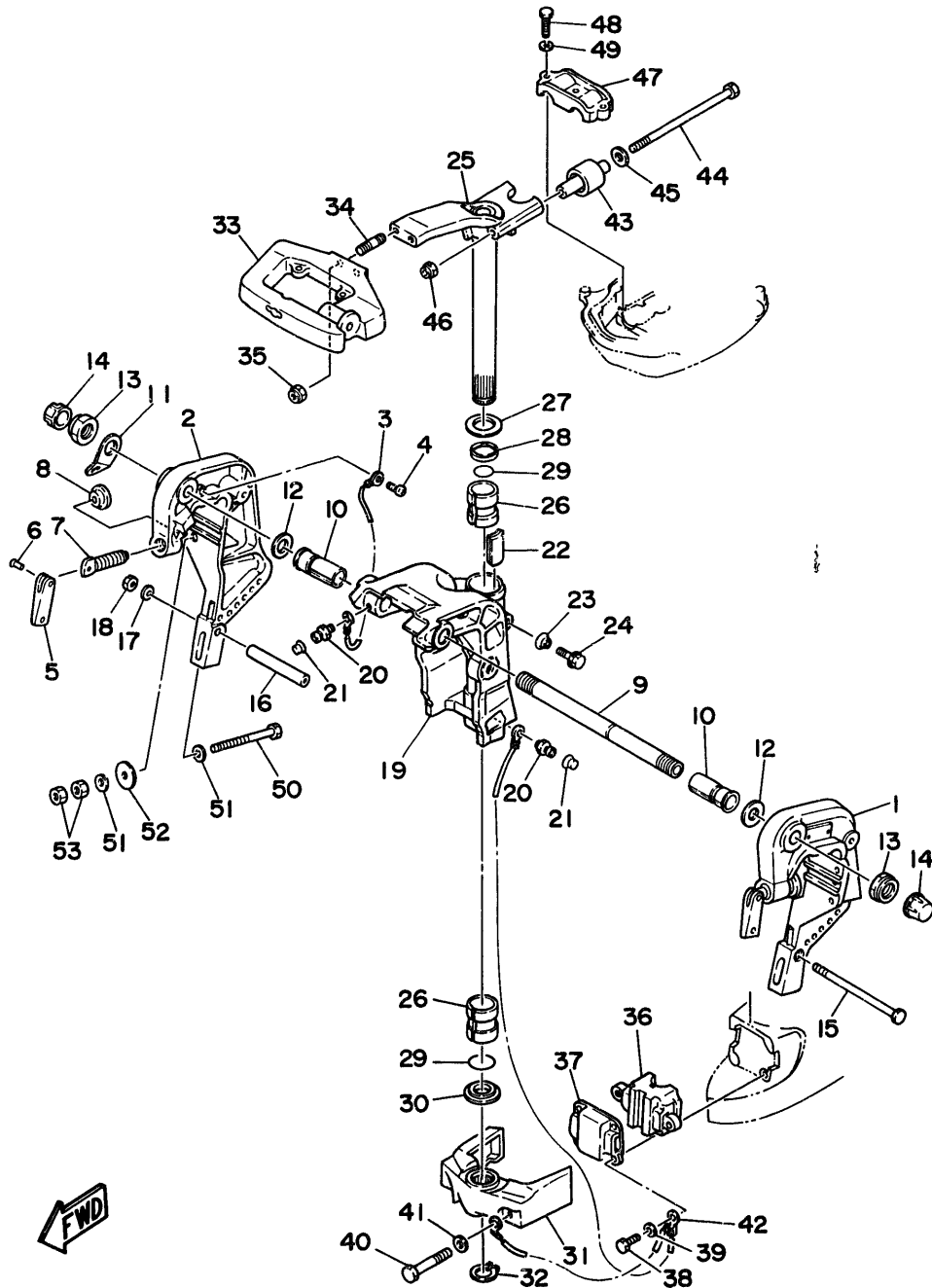
FIG. 9 BOTTOM COWLING



REF. NO.	PART NO.	DESCRIPTION	Q'TY	REMARKS
28	6H4-82575-00	ENGINE STOP SWITCH ASSY	1	
29	682-82556-00	.STOPPER	1	
30	6H4-82537-00	ATTACHMENT, stop switch	1	
31	6H4-85411-00	OVERHEAT WARNING LAMP	1	UR 40M MODEL
	6J8-85410-00	OVERHEAT WARNING LAMP	1	UR 40MO MODEL
32	6H4-85415-00	MARK, signal lamp	1	UR 40M MODEL
	6H4-85415-10	MARK, signal lamp	1	UR 40MO MODEL

FWD

FIG. 10 BRACKET 1



REF. NO.	PART NO.	DESCRIPTION	Q'TY	REMARKS
1	6H4-43111-04-EK	BRACKET, clamp	1	
2	6H4-43112-04-EK	BRACKET, clamp	1	
3	6E5-82148-00	WIRE, lead	1	
4	97895-06008	SCREW, pan head	1	
5	616-43118-00-EK	HANDLE, transom clamp	2	
6	90243-04M00	PIN	2	
7	90149-14M12	SCREW	2	
8	648-43114-01	PAD, transom clamp	2	
9	6J8-43131-01	BOLT, clamp bracket	1	
10	90386-22M69	BUSH	2	
11	6J8-43113-01	PLATE, clamp bracket	1	
12	90201-22428	WASHER, plate	2	
13	90185-22043	NUT, self-locking	2	
14	663-43145-00	CAP, clamp bracket	2	
15	90101-08339	BOLT	1	
16	90387-08M03	COLLAR	1	
17	92990-08600	WASHER, plate	1	
18	95380-08600	NUT	1	
19	6J8-43311-04-EK	BRACKET, swivel	1	
20	93700-06004	NIPPLE, grease	3	
21	663-45119-00	CAP, grease nipple	3	
22	6J8-42528-00	PLATE, friction	1	
23	689-43373-01	SEAL, damper	1	
24	90105-06M18	BOLT, washer based	1	
25	6H4-42510-11-EK	STEERING BRACKET ASSY	1	
26	90386-30M77	BUSH	2	
27	90201-30M00	WASHER, plate	1	
28	90386-30M78	BUSH	1	

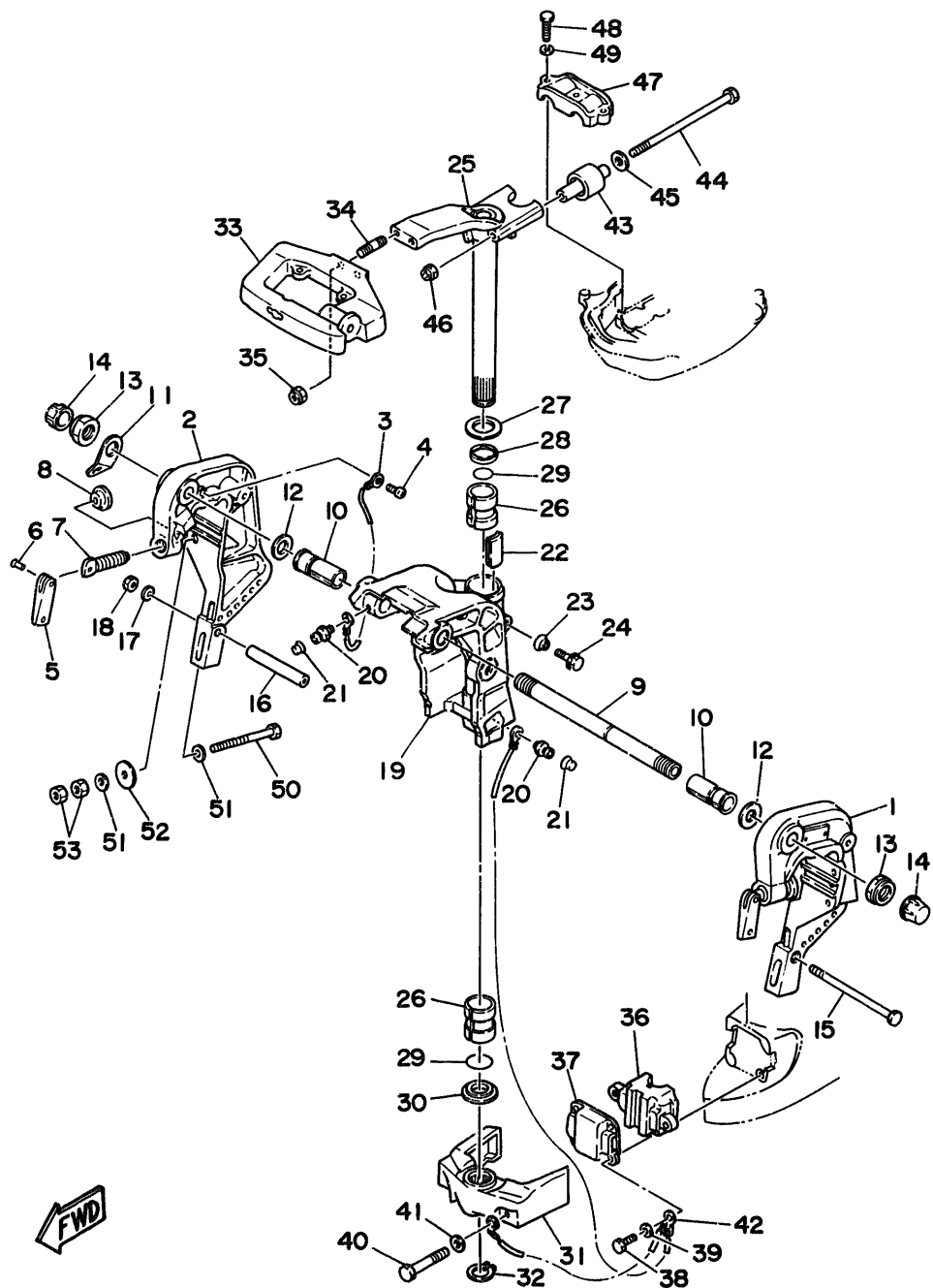


FIG. 10 BRACKET 1

REF. NO.	PART NO.	DESCRIPTION	Q'TY	REMARKS
29	93210-29M94	O-RING	2	
30	90386-30M60	BUSH	1	
31	6H4-44551-01-EK	HOUSING, lower mount rubber	1	
32	93410-28M06	CIRCLIP	1	
33	6H4-42121-02-5B	BRACKET	1	
34	90116-10175	BOLT, stud	2	
35	90185-10051	NUT, self-locking	2	
36	6H4-44557-00	MOUNT DAMPER, lower front	1	UR SHORT
	6H4-44557-10	MOUNT DAMPER, lower front	1	UR LONG
37	6H4-44553-01	COVER, lower mount	1	
38	97395-08025	BOLT	4	
39	92990-08600	WASHER, plate	4	
40	97395-10060	BOLT	2	
41	92990-10600	WASHER, plate	2	
42	6H4-82127-00	WIRE, lead 2	1	
43	6H4-44514-00	MOUNT DAMPER, upper side	2	
44	90101-08M86	BOLT	2	
45	90201-09425	WASHER, plate	2	
46	90185-08045	NUT, self-locking	2	
47	6H4-44511-00-EK	COVER, upper mount	1	
48	97090-08035	BOLT	3	
49	92990-08100	WASHER, spring	3	
50	90101-10M58	BOLT	4	
51	92995-10600	WASHER	8	
52	90201-12426	WASHER, plate	4	
53	95380-10600	NUT	8	

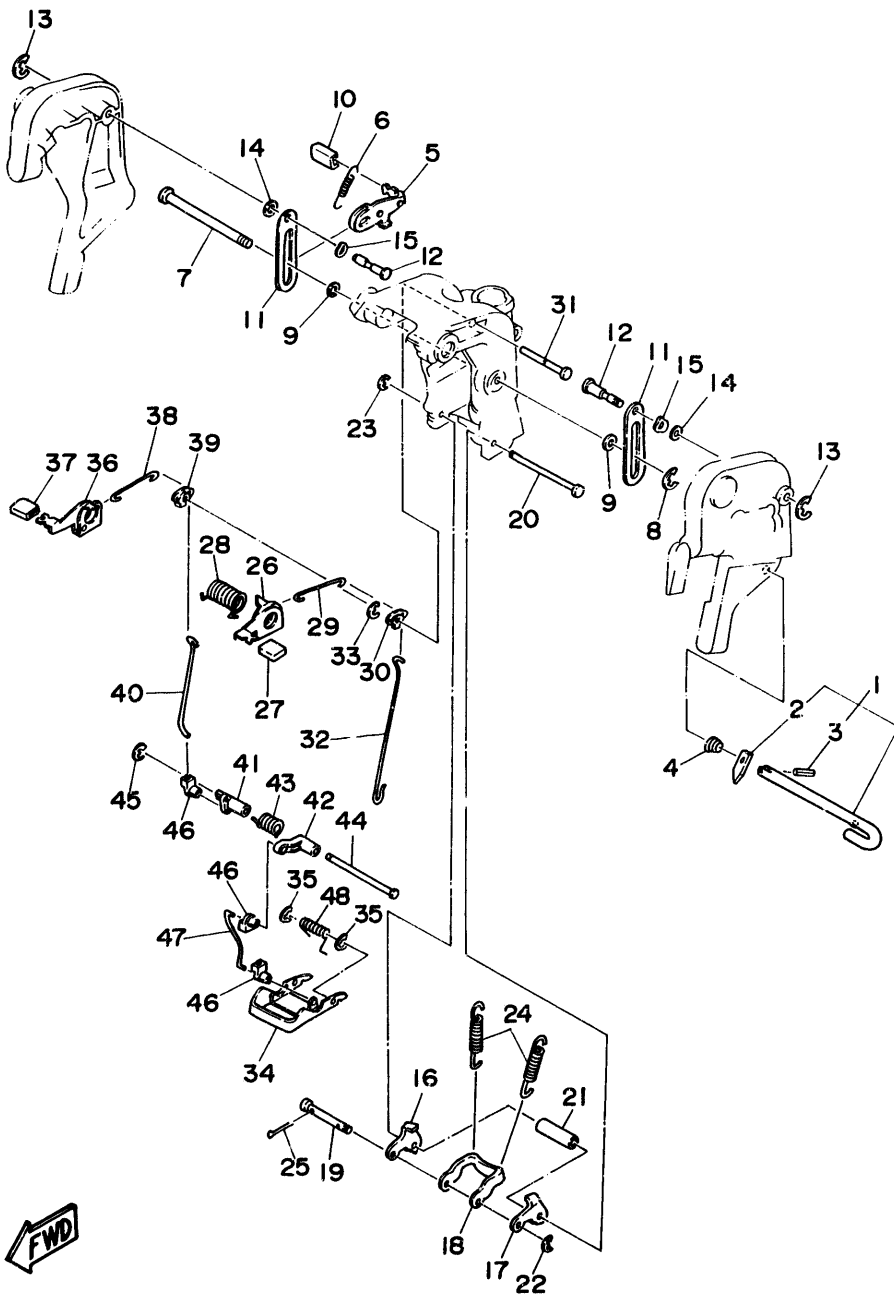


FIG. 11 BRACKET 2

REF. NO.	PART NO.	DESCRIPTION	Q'TY	REMARKS
1	6H4-43160-01	TILT ROD ASSY	1	
2	676-43165-00	.PLATE, tilt lock	1	
3	91690-30010	.PIN, spring	1	
4	90502-10M04	SPRING, conical	1	
5	6J8-43181-01	LEVER, tilt stop	1	
6	90506-12M25	SPRING, tension	1	
7	90249-12M28	PIN	1	
8	93430-10M00	CIRCLIP	1	
9	90202-12031	WASHER, plate	2	
10	682-43318-01	COVER	1	
11	6J8-43627-00	STOPPER	2	
12	90249-12M27	PIN	2	
13	93430-10M00	CIRCLIP	2	
14	90202-12031	WASHER, plate	2	
15	90206-12M16	WASHER, wave	2	
16	6J8-43614-00	PLATE, tilt lock	1	
17	6J8-43615-00	PLATE, tilt lock	1	
18	6J8-43613-01	ARM, tilt lock	1	
19	6H4-43659-00	SHAFT, reverse lock	1	
20	6J8-43611-01	SHAFT, tilt lock	1	
21	90387-07M64	COLLAR	1	
22	93430-06M02	CIRCLIP	1	
23	99080-05600	CIRCLIP	1	
24	90506-32M22	SPRING, tension	2	
25	91490-20010	PIN, cotter	2	
26	6J8-43631-00	LEVER, tilt	1	
27	6J8-43633-00	COVER, tilt lever	1	
28	90508-18M23	SPRING, torsion	1	

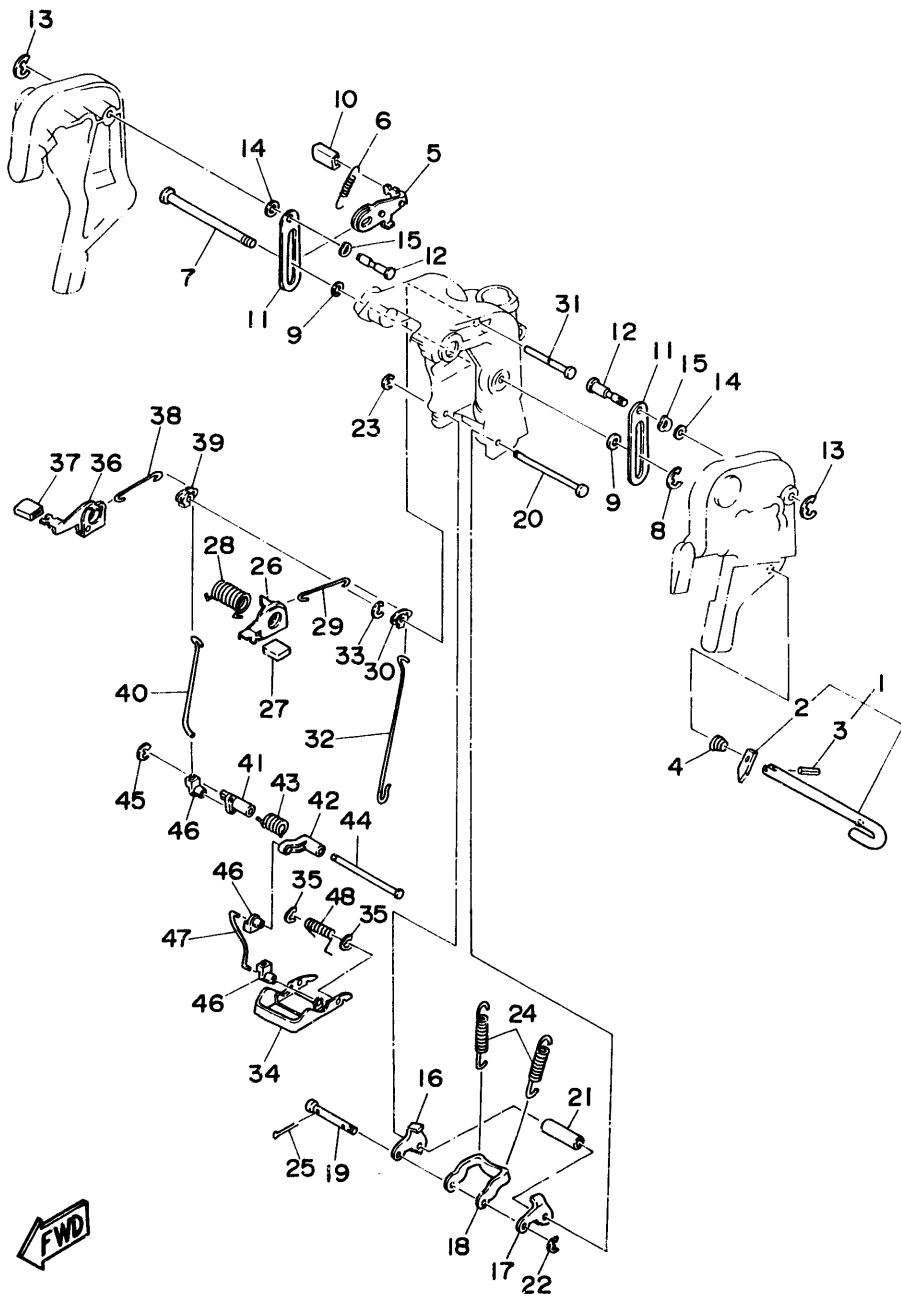
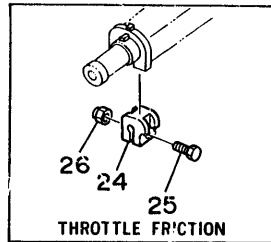
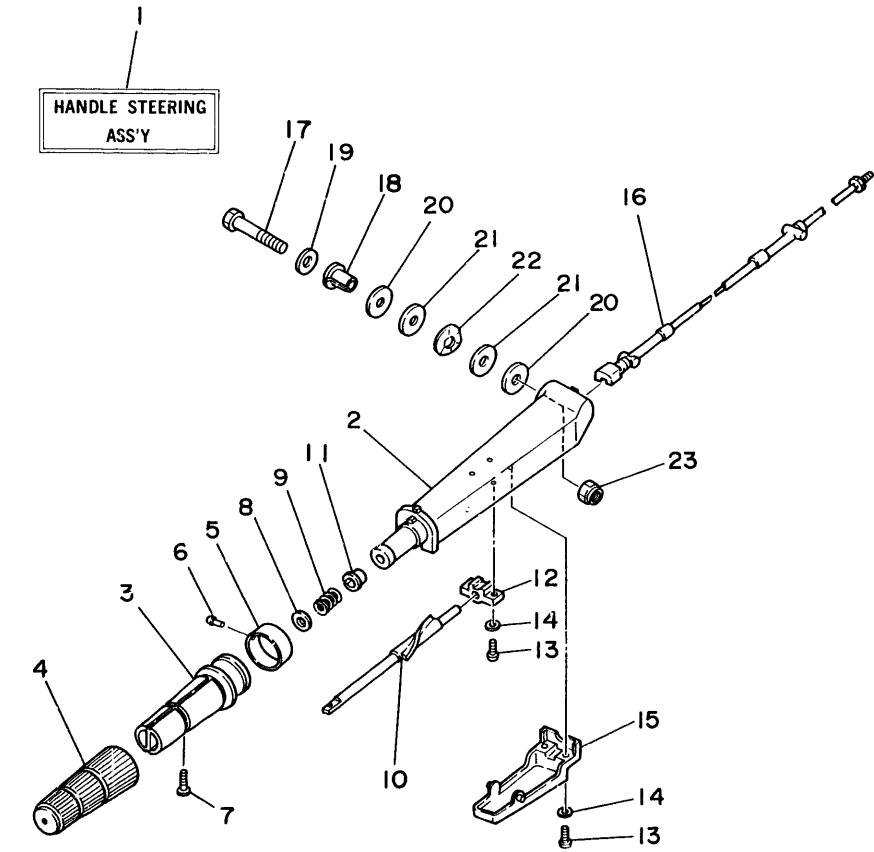


FIG. 11 BRACKET 2

REF. NO.	PART NO.	DESCRIPTION	Q'TY	REMARKS
29	6H4-43616-00	ROD, tilt lock	1	
30	6J8-43641-00	LEVER, tilt	1	
31	90249-06M24	PIN	1	
32	6J8-43617-00	ROD, tilt lock	1	
33	99080-05600	CIRCLIP	1	
34	6J8-43681-01	LEVER, shallow water drive	1	
35	6J8-43673-00	WASHER 1	2	
36	6J8-43631-10	LEVER, tilt	1	
37	6J8-43633-00	COVER, tilt lever	1	
38	6H4-43616-00	ROD, tilt lock	1	
39	6J8-43641-00	LEVER, tilt	1	
40	6J8-43617-10	ROD, tilt lock	1	
41	6J8-43186-00	LEVER	1	
42	6J8-43187-00	LEVER 2	1	
43	90508-25M21	SPRING, torsion	1	
44	90249-07M25	PIN	1	
45	99080-05600	CIRCLIP	1	
46	6J8-41262-00	JOINT, choke lever	3	
47	6J8-43616-10	ROD, tilt lock	1	
48	90508-20M22	SPRING, torsion	1	

D1

FIG. 12 STEERING



REF. NO.	PART NO.	DESCRIPTION	Q'TY	REMARKS
1	6H4-W0084-04-EK	HANDLE STEERING ASSY	1	Ref.No. 2 to 26
2	6H4-42111-01-EK	HANDLE, steering	1	
3	664-42119-00	GRIP, steering handle	1	
4	6G1-42177-00	RUBBER, handle	1	
5	6L2-42137-00	INDICATOR, throttle	1	
6	90269-02M09	RIVET	1	
7	98680-05525	SCREW, oval head	1	
8	92990-10600	WASHER, plate	1	
9	90501-23215	SPRING, compression	1	
10	6H4-42138-01	LEVER, throttle	1	
11	90386-08032	BUSH	1	
12	6H4-42159-00	STAY	1	
13	97880-05016	SCREW, pan head	4	
14	92901-05600	WASHER, plate	4	
15	6H4-42131-00	COVER, handle steering	1	
16	6H4-26311-02	CABLE, throttle 1	1	
17	90101-12M37	BOLT	1	
18	90386-12089	BUSH	1	
19	92990-12200	WASHER, plain	1	
20	90202-12092	WASHER, plate	2	
21	90201-12537	WASHER, plate	2	
22	90206-12054	WASHER, wave	1	
23	90185-12058	NUT, self-locking	1	
24	656-42126-01	FRICTION, steering handle grip	1	
25	97395-06020	BOLT	1	
26	90185-06062	NUT, self-locking	1	

FIG. 13 CONTROL

REF. NO.	PART NO.	DESCRIPTION	Q'TY	REMARKS
1	6H4-41213-14	CAM, accel.	1	
2	90109-06M43	BOLT	1	
3	6H4-41632-01	LEVER, magneto control	1	
4	90508-26M20	SPRING, torsion	1	
5	6G5-41636-01	ROD, magneto control	1	
6	6H4-41237-00	JOINT, link	1	
7	95380-05600	NUT	1	
8	90387-06M19	COLLAR	1	
9	97313-06025	BOLT	1	
10	90157-06M00	SCREW, pan head	1	
11	95303-06600	NUT	1	
12	688-44194-00	CAP	1	
13	6H4-44111-00	HANDLE, gear shift	1	
14	682-44132-00	BUSHING	1	
15	6H4-44121-01	LEVER, shift rod	1	
16	91690-30318	PIN, spring	1	
17	6H4-44116-00	SPRING	1	
18	682-44117-00	BRACKET	1	
19	97313-06016	BOLT	1	
20	6H4-44125-01	LEVER, shift rod	1	
21	91690-30316	PIN, spring	1	
22	6F5-41662-00	BRACKET	1	
23	97313-06020	BOLT	2	
24	92990-06600	WASHER, plate	2	
25	6H4-44143-00	ROD, shift	1	
26	91790-05020	PIN, clevis	1	
27	92990-05600	WASHER, plate	1	
28	91490-16010	PIN, cotter	1	



D3

FIG. 13 CONTROL

REF. NO.	PART NO.	DESCRIPTION	Q'TY	REMARKS
29	648-44146-00	CONNECTOR, shift rod	1	
30	6H4-41633-01	LEVER, magneto control	1	
31	97313-05020	BOLT	1	
32	92990-05600	WASHER, plate	1	
33	90113-05M06	BOLT, set	1	
34	95303-05700	NUT	1	
35	663-48344-00	CABLE END, remote control	1	
36	90468-18008	CLIP	1	
37	90170-07021	NUT	1	

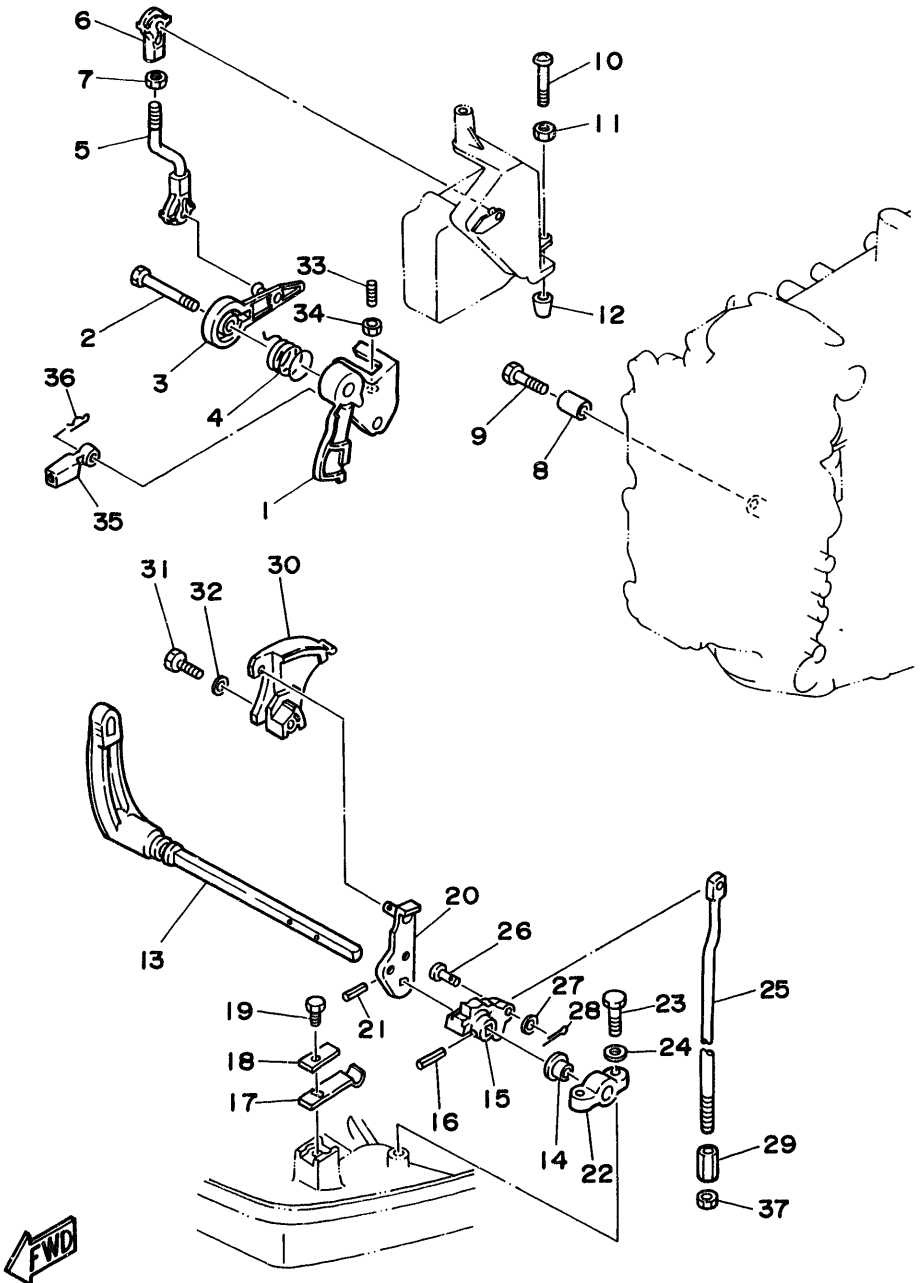
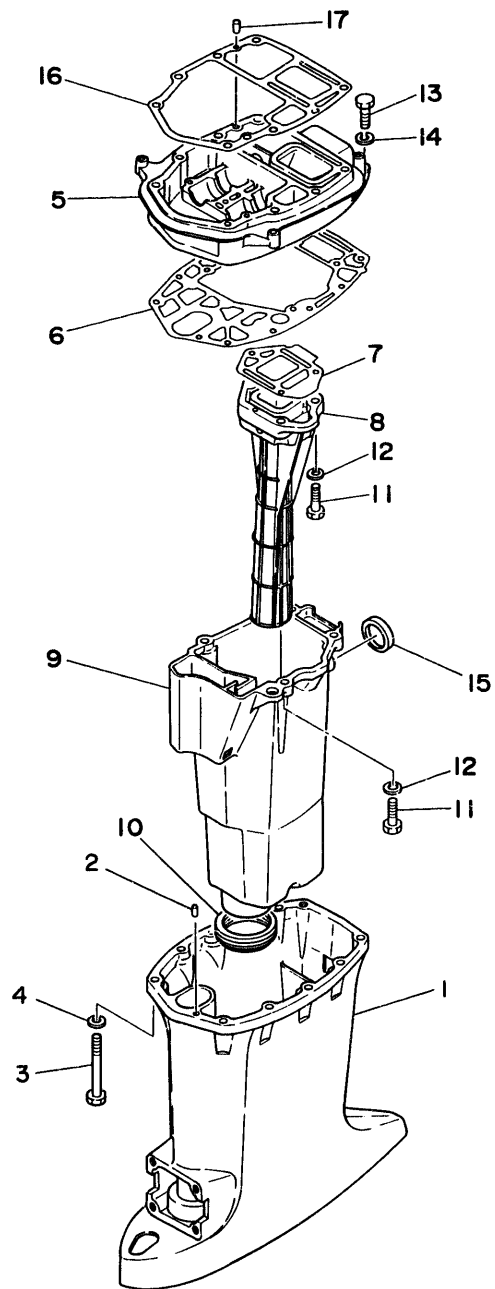
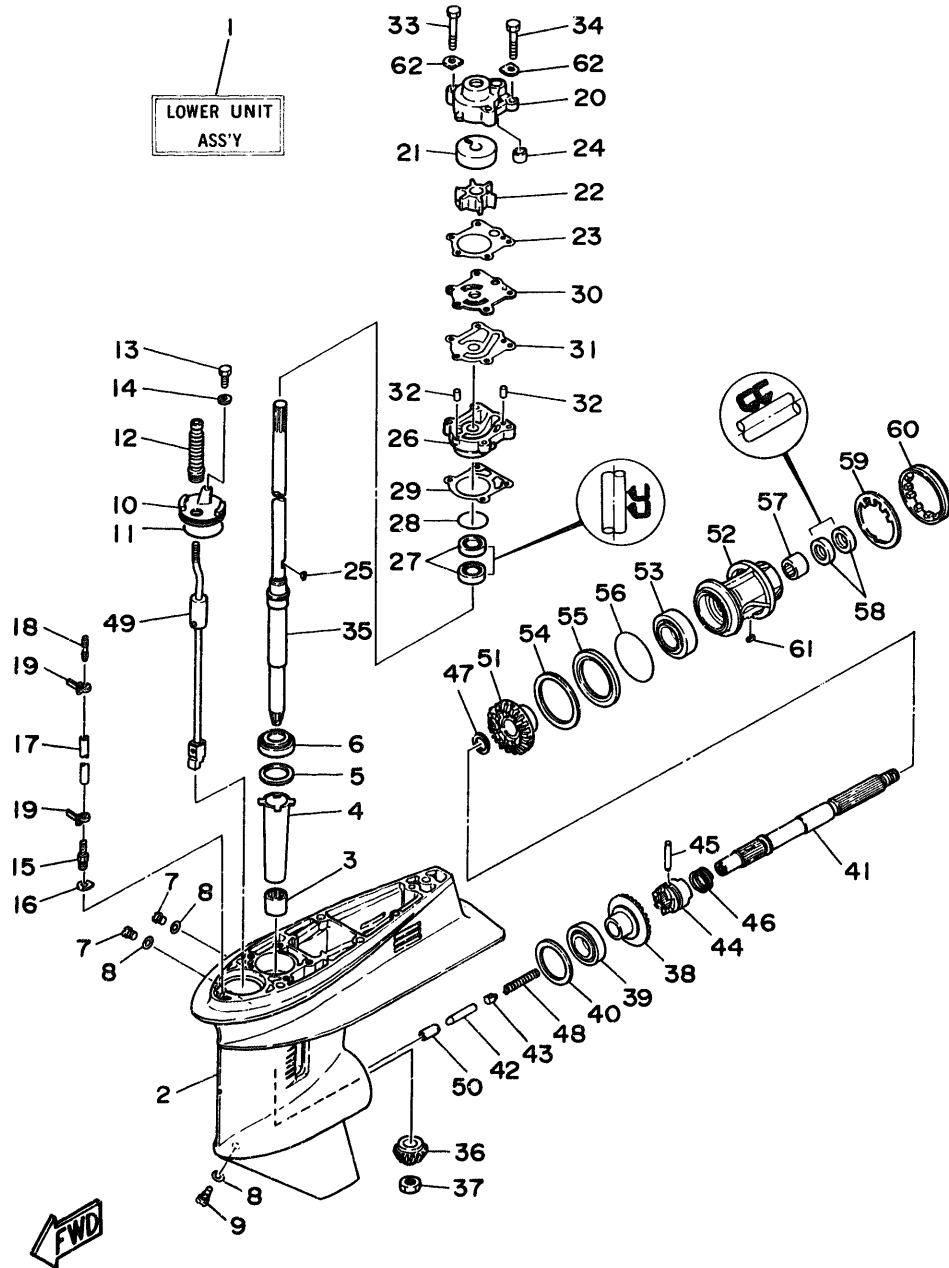


FIG. 14 UPPER CASING



REF. NO.	PART NO.	DESCRIPTION	Q'TY	REMARKS
1	6H4-45111-00-EK	CASING, upper	1	UR SHORT
	6H4-45111-10-EK	CASING, upper	1	UR LONG
2	93606-12019	PIN, dowel	2	
3	97395-08080	BOLT	8	
4	92990-08600	WASHER, plate	8	
5	6H4-41137-00-94	GUIDE, exhaust	1	
6	6H4-45114-00	GASKET, upper casing	1	
7	6H4-41134-00	GASKET, exhaust manifold	1	
8	6H4-41131-01-5B	MANIFOLD, ext. 1	1	
9	6H4-14711-00-9M	MUFFLER 1	1	UR SHORT
	6H4-14711-10-5B	MUFFLER 1	1	UR LONG
10	663-45123-00	GASKET, muffler	1	
11	97395-08030	BOLT	7	
12	92990-08600	WASHER, plate	7	
13	97395-08030	BOLT	2	
14	92990-08100	WASHER, spring	2	
15	6H4-41133-00	GASKET, exhaust manifold 1	1	
16	6H4-45113-00	GASKET, upper casing	1	
17	93606-12019	PIN, dowel	2	

FIG. 15 LOWER CASING. DRIVE 1



REF. NO.	PART NO.	DESCRIPTION	Q'TY	REMARKS
1	6H4-45300-01-EK	LOWER UNIT ASSY	1	UR SHORT
	6H4-45300-11-EK	LOWER UNIT ASSY	1	UR LONG Ref.No. 2 to 62
2	6H4-45301-01-EK	CASING, lower	1	
3	93315-32224	BEARING, cylindrical	1	
4	6H4-45536-00	SLEEVE, drive shaft	1	
5	663-45587-01-10	SHIM (T:0.10MM)	1	UR
	663-45587-01-12	SHIM (T:0.12MM)	1	UR
	663-45587-01-15	SHIM (T:0.15MM)	1	UR
	663-45587-01-18	SHIM (T:0.18MM)	1	UR
	663-45587-01-30	SHIM (T:0.30MM)	1	UR
	663-45587-01-40	SHIM (T:0.40MM)	1	UR
	663-45587-01-50	SHIM (T:0.50MM)	1	UR
6	93332-00023	BEARING	1	
7	90340-08M04	PLUG, straight screw	2	
8	90430-08020	GASKET	3	
9	688-45341-00	PLUG, drain	1	
10	6H4-45321-01	PLATE	1	
11	93210-49046	O-RING	1	
12	6G1-44147-00	BOOT, shift rod	1	
13	97395-06016	BOLT	1	
14	92990-06600	WASHER, plate	1	
15	6H4-45378-00	NIPPLE, hose	1	
16	90209-10M14	WASHER	1	
17	90445-07ME9	HOSE	1	UR SHORT
	90445-07M31	HOSE	1	UR LONG
18	6E5-83558-00	END, nipple	1	
19	90465-11M10	CLAMP	2	
20	6J8-44311-00	HOUSING, water pump	1	

D6

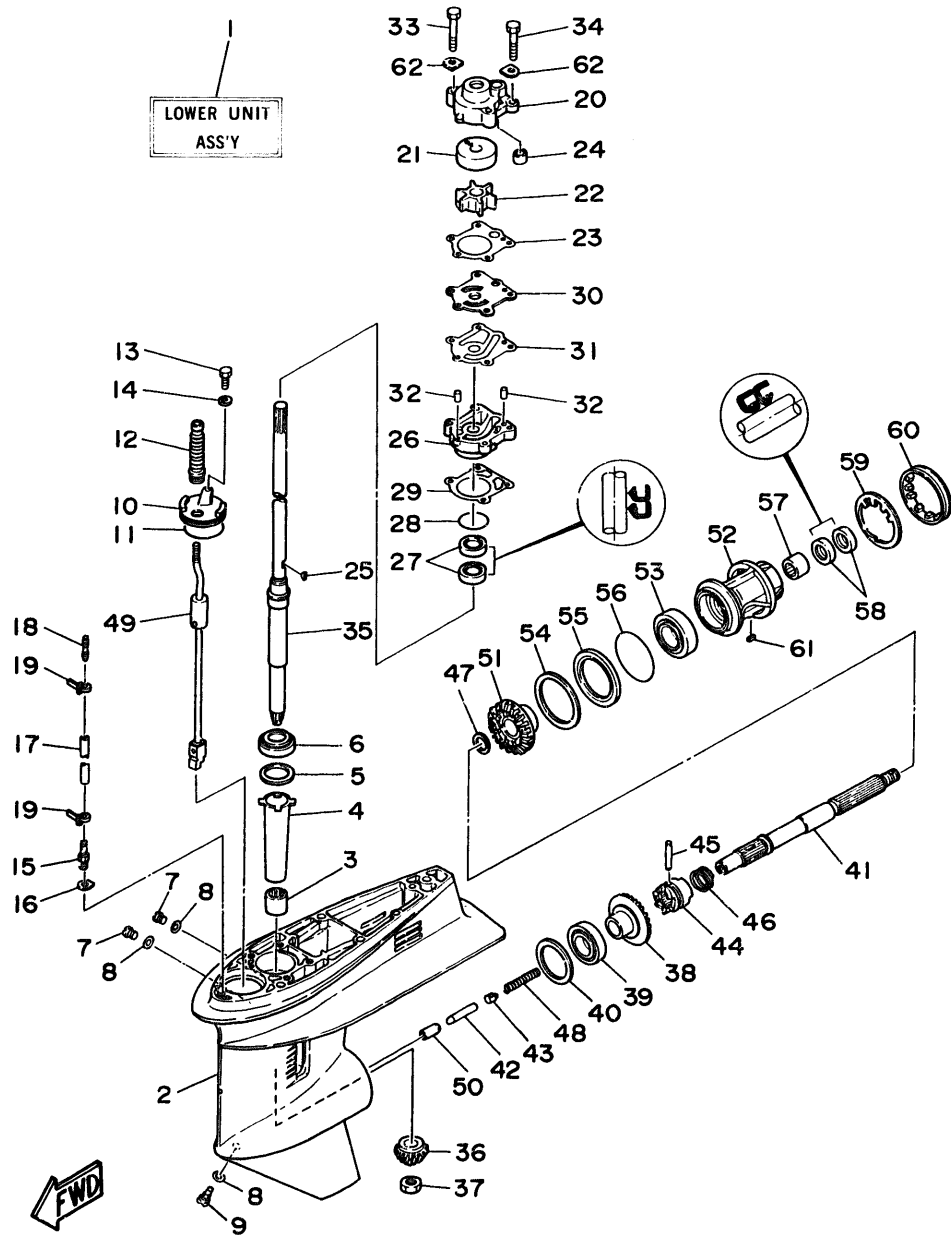
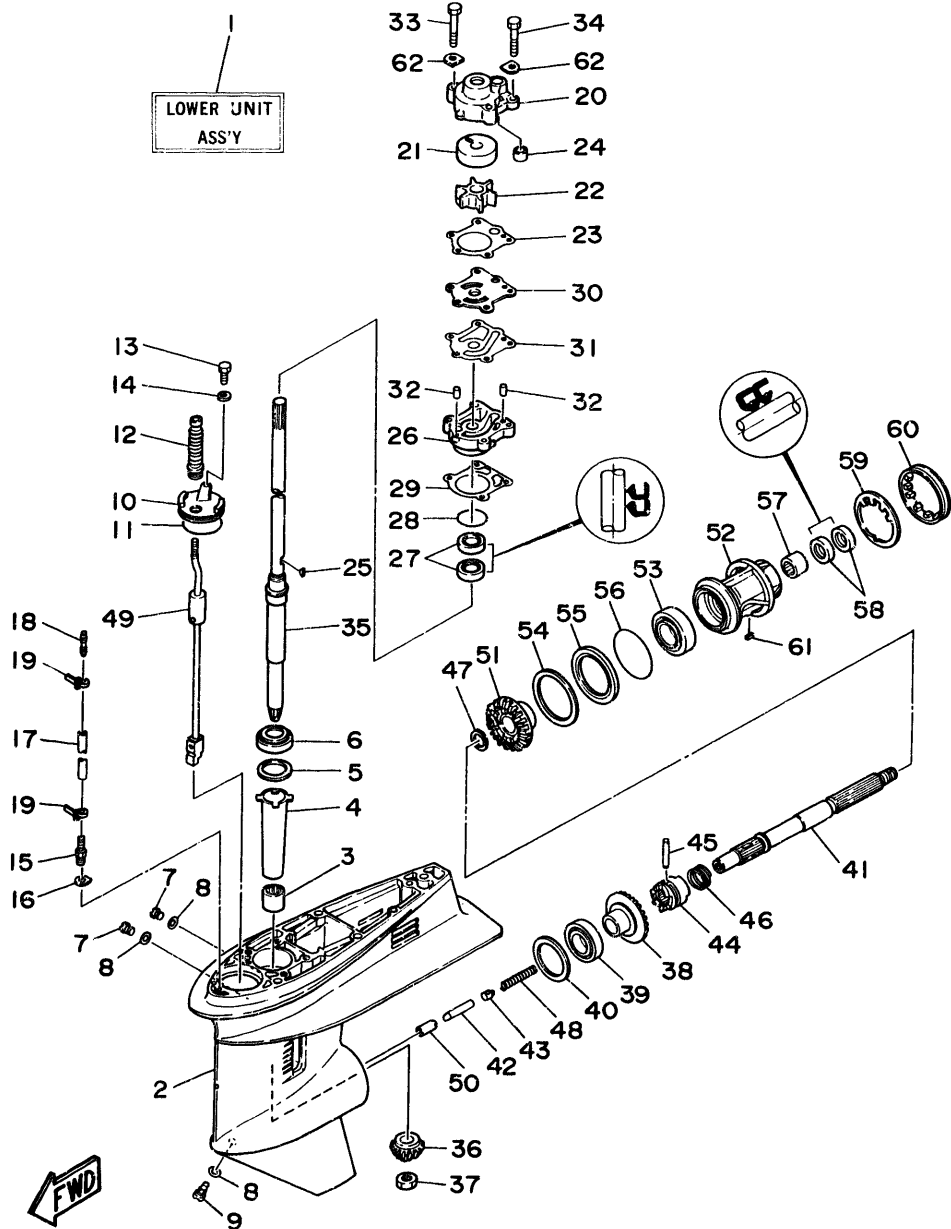


FIG. 15 LOWER CASING. DRIVE 1

REF. NO.	PART NO.	DESCRIPTION	Q'TY	REMARKS
21	663-44322-00	INSERT, cartridge	1	
22	6H4-44352-02	IMPELLER	1	
23	663-44315-00	GASKET, water pump	1	
24	663-44366-00	DAMPER, water seal	1	
25	9028U-03024	KEY, woodruff	1	
26	663-44341-00-94	HOUSING, water pump	1	
27	93101-23070	OIL SEAL	2	
28	93210-41042	O-RING	1	
29	663-44316-00	GASKET, water pump	1	
30	663-44323-00	OUTER PLATE, cartridge	1	
31	663-44324-00	GASKET, cartridge	1	
32	93604-08062	PIN, dowel	2	
33	97395-08055	BOLT	2	
34	97395-08045	BOLT	2	
35	6H4-45501-00	DRIVE SHAFT COMP.	1	UR SHORT
	6H4-45501-10	DRIVE SHAFT COMP.	1	UR LONG
36	6H4-45551-00	PINION	1	
37	90170-12138	NUT	1	
38	6H4-45560-00	GEAR	1	
39	93332-000V4	BEARING	1	
40	6H4-45567-01-10	SHIM (T:0.10MM)	1	UR
	6H4-45567-01-12	SHIM (T:0.12MM)	1	UR
	6H4-45567-01-15	SHIM (T:0.15MM)	1	UR
	6H4-45567-01-18	SHIM (T:0.18MM)	1	UR
	6H4-45567-01-30	SHIM (T:0.30MM)	1	UR
	6H4-45567-01-40	SHIM (T:0.40MM)	1	UR
	6H4-45567-01-50	SHIM (T:0.50MM)	1	UR
41	679-45611-01	SHAFT, propeller	1	

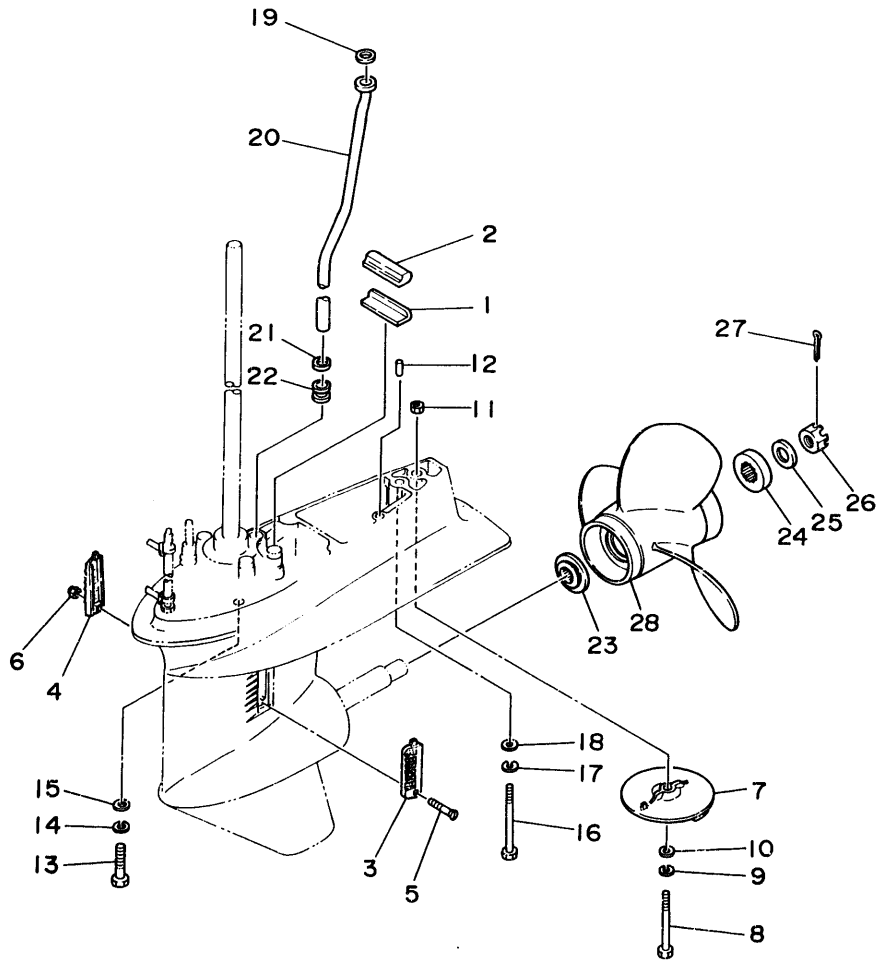
FIG. 15 LOWER CASING. DRIVE 1



REF. NO.	PART NO.	DESCRIPTION	Q'TY	REMARKS
42	676-45635-00	PLUNGER, shift	1	
43	663-45634-00	SLIDE, shift	1	
44	6H4-45631-00	CLUTCH, dog	1	
45	90250-06023	PIN, straight	1	
46	663-45633-00	RING, cross pin	1	
47	90201-22429	WASHER, plate	1	
48	90501-16M01	SPRING, compression	1	
49	6H4-44150-00	SHIFT CAM ASSY	1	UR SHORT
	6H4-44150-11	SHIFT CAM ASSY	1	UR LONG
50	6H4-44160-00	DETENT COMP.	1	
51	6H4-45571-00	GEAR	1	
52	679-45331-00-94	HOUSING, bearing	1	
53	93306-00702	BEARING	1	
54	663-45577-01-10	SHIM (T:0.10MM)	1	UR
	663-45577-01-12	SHIM (T:0.12MM)	1	UR
	663-45577-01-15	SHIM (T:0.15MM)	1	UR
	663-45577-01-18	SHIM (T:0.18MM)	1	UR
	663-45577-01-30	SHIM (T:0.30MM)	1	UR
	663-45577-01-40	SHIM (T:0.40MM)	1	UR
	663-45577-01-50	SHIM (T:0.50MM)	1	UR
55	663-45576-00	WASHER, thrust	1	
56	93210-66M98	O-RING	1	
57	93317-22204	BEARING, cylindrical	1	
58	93101-22067	OIL SEAL	2	
59	90214-48M03	WASHER, claw	1	
60	697-45384-00	NUT	1	
61	90282-04010	KEY, straight	1	
62	90209-08M02	WASHER	4	

E1

FIG. 16 LOWER CASING. DRIVE 2



REF. NO.	PART NO.	DESCRIPTION	Q'TY	REMARKS
1	663-45376-00-94	GUIDE, seal damper	1	UR
2	688-45375-00	DAMPER, seal	1	UR
3	688-45214-02	COVER, water inlet	1	
4	688-45215-02	COVER, water inlet	1	
5	98680-05535	SCREW, oval head	1	
6	90185-05C02	NUT, self-locking	1	
7	664-45371-01	TAB-TRIM	1	
8	97375-08075	BOLT	1	
9	92990-08100	WASHER, spring	1	
10	92990-08600	WASHER, plate	1	
11	95380-08600	NUT	1	
12	93606-12019	PIN, dowel	2	
13	97395-10040	BOLT	4	
14	92990-10100	WASHER, spring	4	
15	92990-10600	WASHER, plate	4	
16	97395-08085	BOLT	1	
17	92990-08100	WASHER, spring	1	
18	92990-08600	WASHER, plate	1	
19	90202-12060	WASHER, plate	1	
20	6H4-44361-00	TUBE, water	1	UR SHORT
	6H4-44361-10	TUBE, water	1	UR LONG
21	90430-12072	GASKET	1	
22	663-44367-00	DAMPER, water seal	1	
23	663-45987-02	SPACER	1	
24	670-45997-02	SPACER	1	
25	92990-16200	WASHER, plain	1	
26	90171-16011	NUT, castle	1	
27	91490-30030	PIN, cotter	1	

FIG. 16 LOWER CASING. DRIVE 2

REF. NO.	PART NO.	DESCRIPTION	Q'TY	REMARKS
28	663-45941-01-EL	PROPELLER (3X10-3/4"X17"-G)	1	UR
	663-45943-02-EL	PROPELLER (3X11"X15"-G)	1	UR
	663-45945-02-EL	PROPELLER (3X11-1/8"X13"-G)	1	UR
	663-45947-02-EL	PROPELLER (3X11-5/8"X11"-G)	1	UR
	663-45949-01-EL	PROPELLER (3X10-3/4"X16"-G)	1	UR
	663-45952-02-EL	PROPELLER (3X11-3/8"X12"-G)	1	UR
	663-45954-01-EL	PROPELLER (3X11-3/4"X10"-G)	1	UR
	663-45956-01-EL	PROPELLER (3X12-1/4"X9"-G)	1	UR
	663-45958-01-EL	PROPELLER (3X11-1/4"X14"-G)	1	UR
	6H5-45943-00-EL	PROPELLER (3X10"X15"-G)	1	UR WITH LIP CUP
	6H5-45945-00-EL	PROPELLER (3X10-3/8"X13"-G)	1	UR WITH LIP CUP
	6H5-45952-00-EL	PROPELLER (3X10-5/8"X12"-G)	1	UR WITH LIP CUP
	6H5-45958-00-EL	PROPELLER (3X10-1/4"X14"-G)	1	UR WITH LIP CUP
STAINLESS STEEL PROPELLER				
	663-45970-60-98	PROPELLER (3X11-3/4"X12"-G)	1	UR
	663-45972-60-98	PROPELLER (3X12"X11"-G)	1	UR
	663-45974-60-98	PROPELLER (3X11-1/2"X13"-G)	1	UR
	663-45930-00-98	PROPELLER (3X10-1/4"X14"-G)	1	UR
	663-45976-00-98	PROPELLER (3X10-1/4"X15"-G)	1	UR
	663-45978-00-98	PROPELLER (3X10-1/4"X16"-G)	1	UR

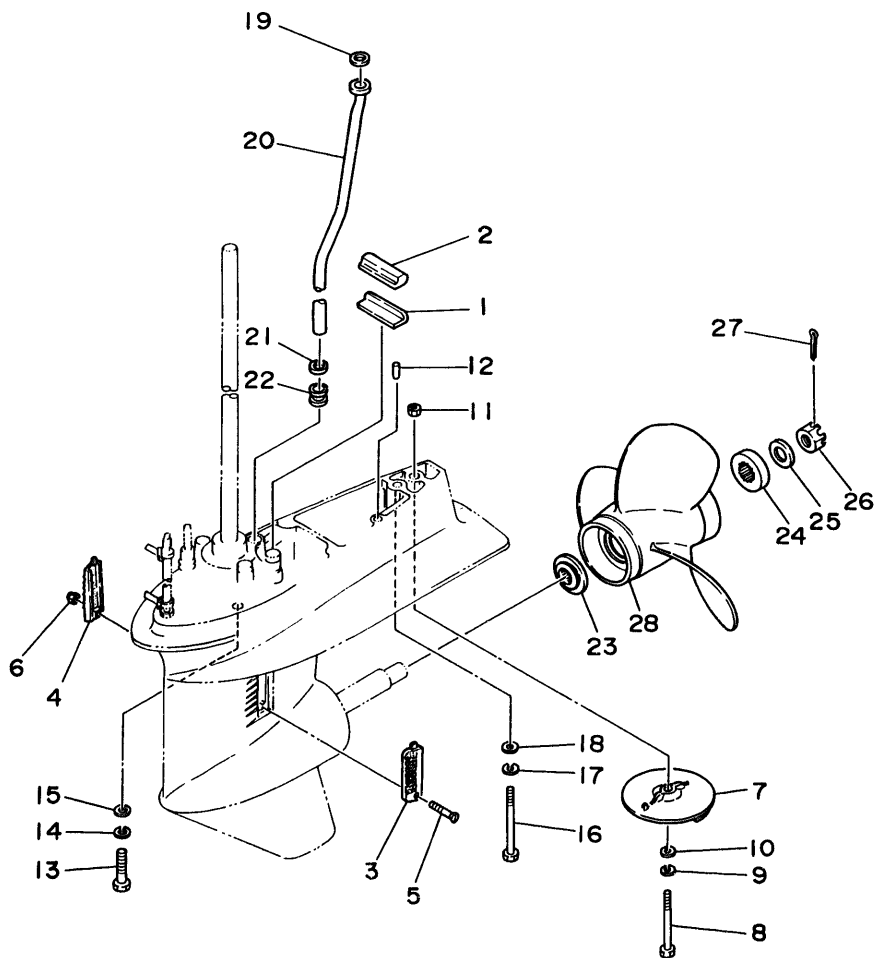
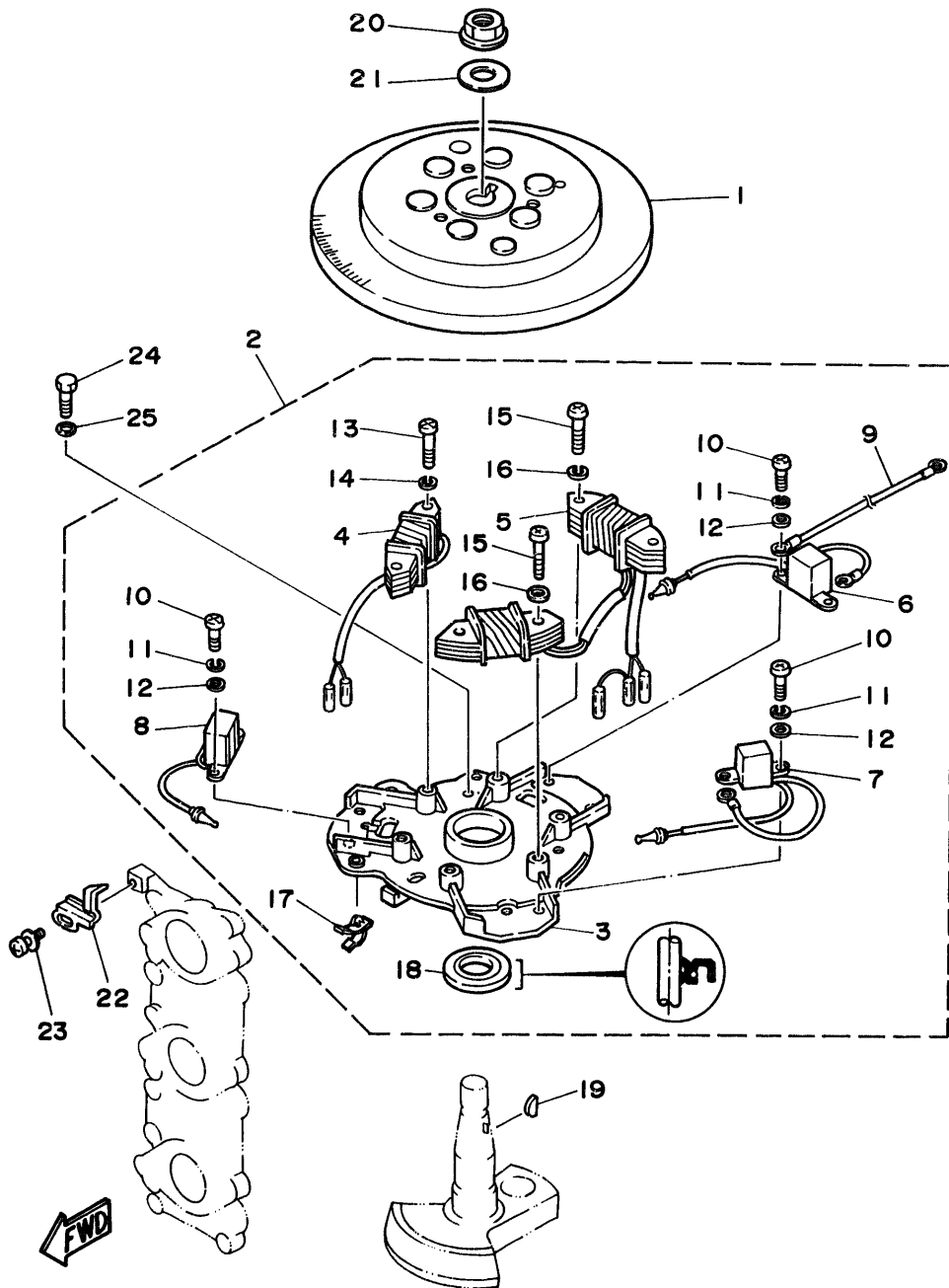
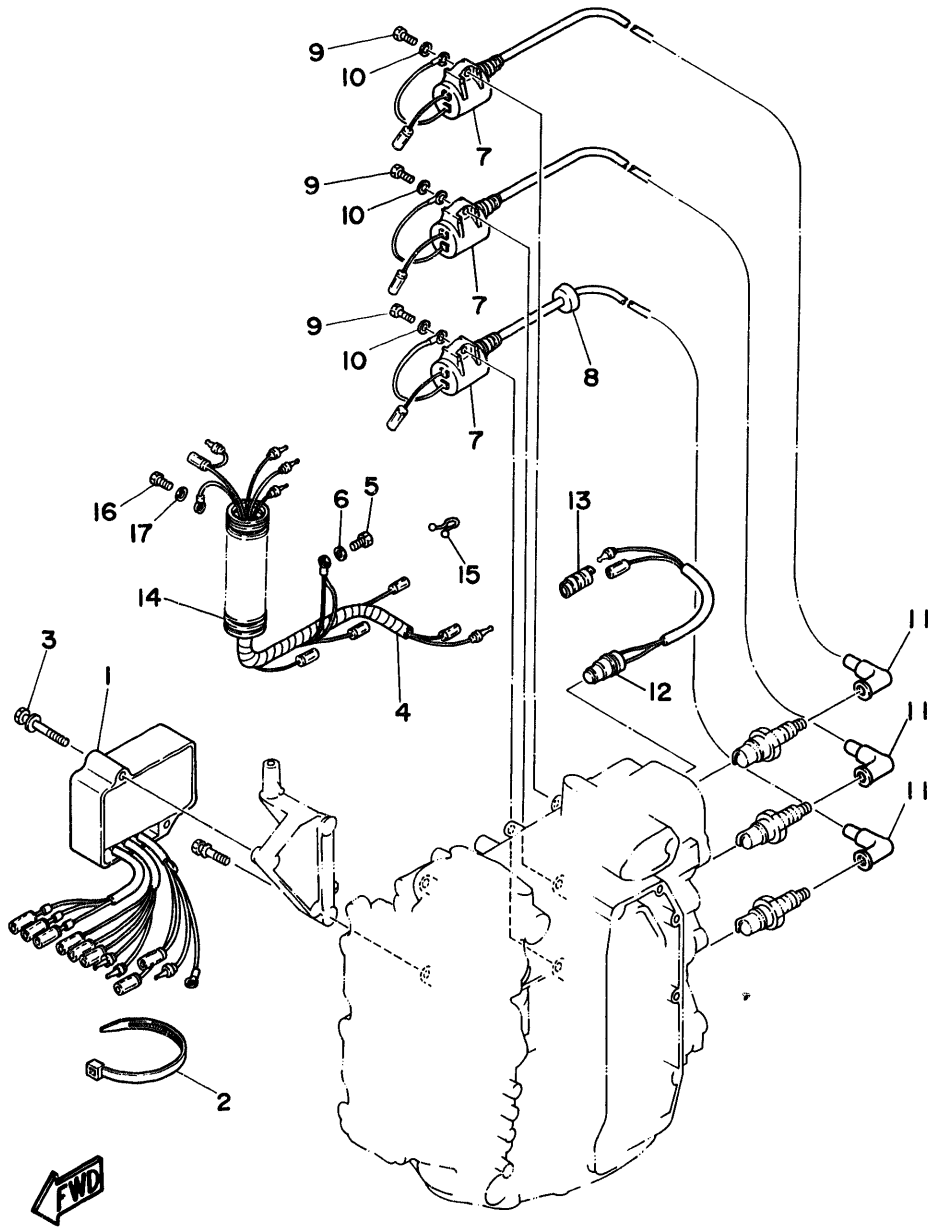


FIG. 17 MAGNETO



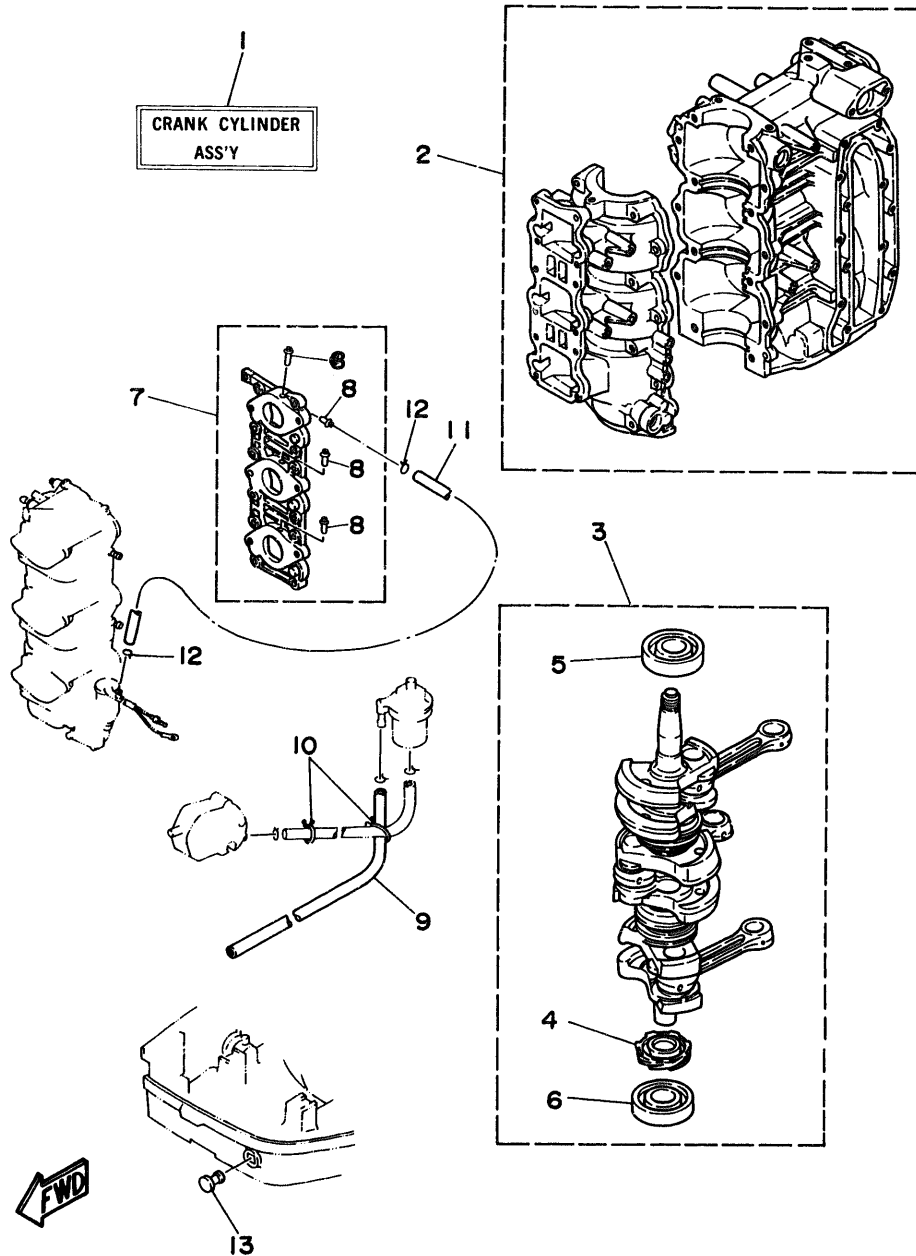
REF. NO.	PART NO.	DESCRIPTION	Q'TY	REMARKS
1	6H5-85550-10	ROTOR ASSY	1	
2	6H5-85560-01	BASE ASSY	1	
3	6H4-15359-03-94	.HOUSING, oil seal	1	
4	6H5-85520-00	.COIL, charge	1	
5	6H5-85533-01	.COIL, lighting	1	
6	6H5-85580-00	.COIL, pulser	1	
7	6H5-85580-10	.COIL, pulser	1	
8	6H5-85580-20	.COIL, pulser	1	
9	6H5-83354-00	.WIRE, earth lead 1	1	
10	98501-05012	.SCREW, pan head	6	
11	92901-05100	.WASHER, spring	6	
12	92901-05600	.WASHER, plate	6	
13	92501-06025	.SCREW, pan head	2	
14	92990-06100	.WASHER, spring	2	
15	92501-06030	.SCREW, pan head	4	
16	92990-06100	.WASHER, spring	4	
17	90464-03M15	.CLAMP	2	
18	93102-23096	.OIL SEAL	1	
19	90280-05049	KEY, woodruff	1	
20	90179-16M05	NUT	1	
21	90201-16M44	WASHER, plate	1	
22	6H4-81332-00	PLATE, timing	1	
23	97985-05210	SCREW, with washer	1	
24	97313-06018	BOLT	3	
25	92990-06600	WASHER, plate	3	

FIG. 18 ELECTRICAL



REF. NO.	PART NO.	DESCRIPTION	Q'TY	REMARKS
1	6H5-85540-00	C.D.I. UNIT ASSY	1	
2	90465-13M36	CLAMP	1	
3	90119-06M51	BOLT, with washer	2	
4	6H4-82531-02	WIRE, lead	1	
5	97313-06014	BOLT	1	
6	92990-06600	WASHER, plate	1	
7	6H5-85570-00	IGNITION COIL ASSY	3	
8	90480-25161	GROMMET	1	
9	97313-06020	BOLT	3	
10	92990-06600	WASHER, plate	3	
11	663-82370-01	PLUG CAP ASSY	3	
12	689-82560-00	THERMO SWITCH ASSY	1	
13	90446-10M02	HOSE	1	
14	661-83557-00	TUBE	1	
15	90464-05M16	CLAMP	1	
16	97313-06014	BOLT	1	
17	92990-06600	WASHER, plate	1	

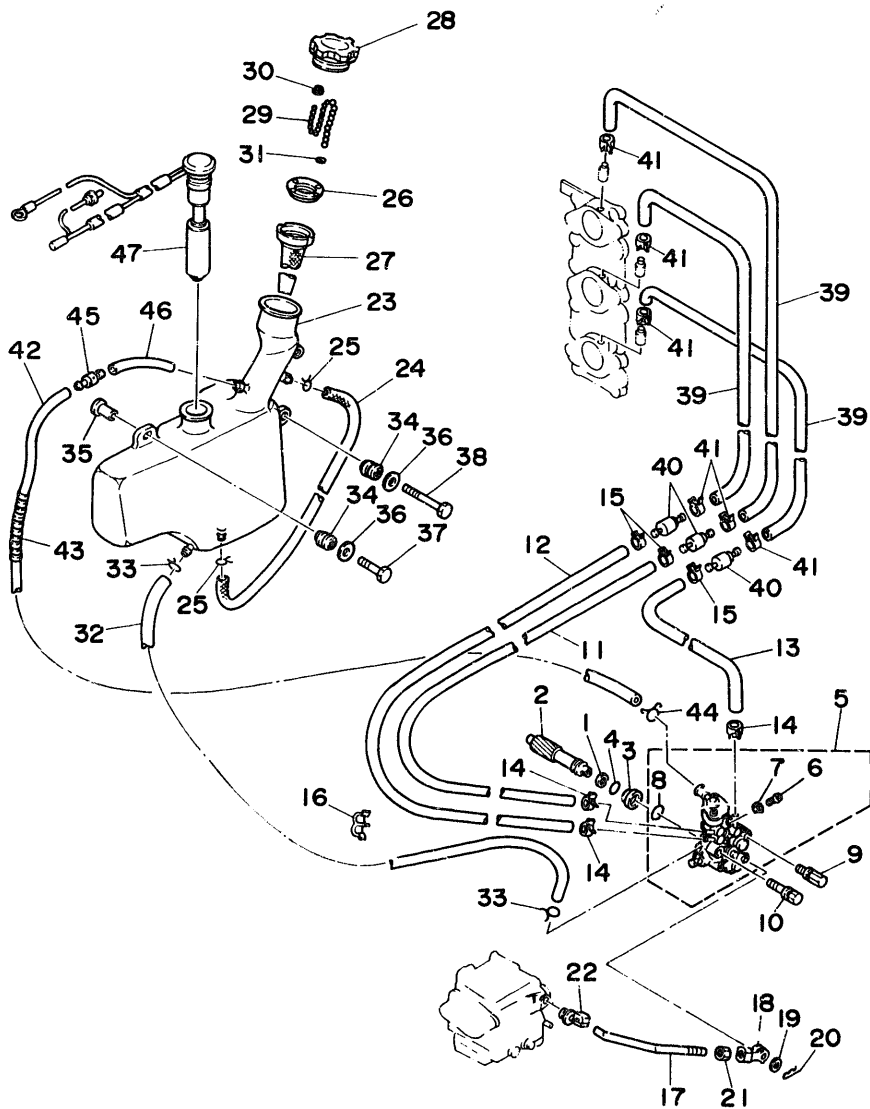
FIG. 19 ALTERNATE 1 (40MO/40EO/40EPO MODEL)



REF. NO.	PART NO.	DESCRIPTION	Q'TY	REMARKS
1	6H4-W0090-14-EK	CRANK CYLINDER ASSY	1	
2	6H4-15100-11-94	CRANKCASE ASSY	1	
3	6H4-11400-13	CRANKSHAFT ASSY	1	
4	6H4-11536-00	.GEAR, drive	1	
5	93306-305U8	.BEARING	1	
6	93306-305U8	.BEARING	1	
7	6H4-13641-30-94	MANIFOLD 1	1	UR 40MO MODEL
	6H4-13641-12-94	MANIFOLD 1	1	UR 40EO/40EPO MODEL
8	6H1-14485-00	.PIPE, joint	3	UR 40MO MODEL
	6H1-14485-00	.PIPE, joint	4	UR 40EO/40EPO MODEL
9	6H4-24311-00	PIPE, fuel 1	1	
10	90464-16039	CLAMP	2	
11	90445-07M24	HOSE	1	40EO/40EPO MODEL
12	90467-06016	CLIP	2	40EO/40EPO MODEL
13	6G1-42748-00	GROMMET	1	40EO/40EPO MODEL

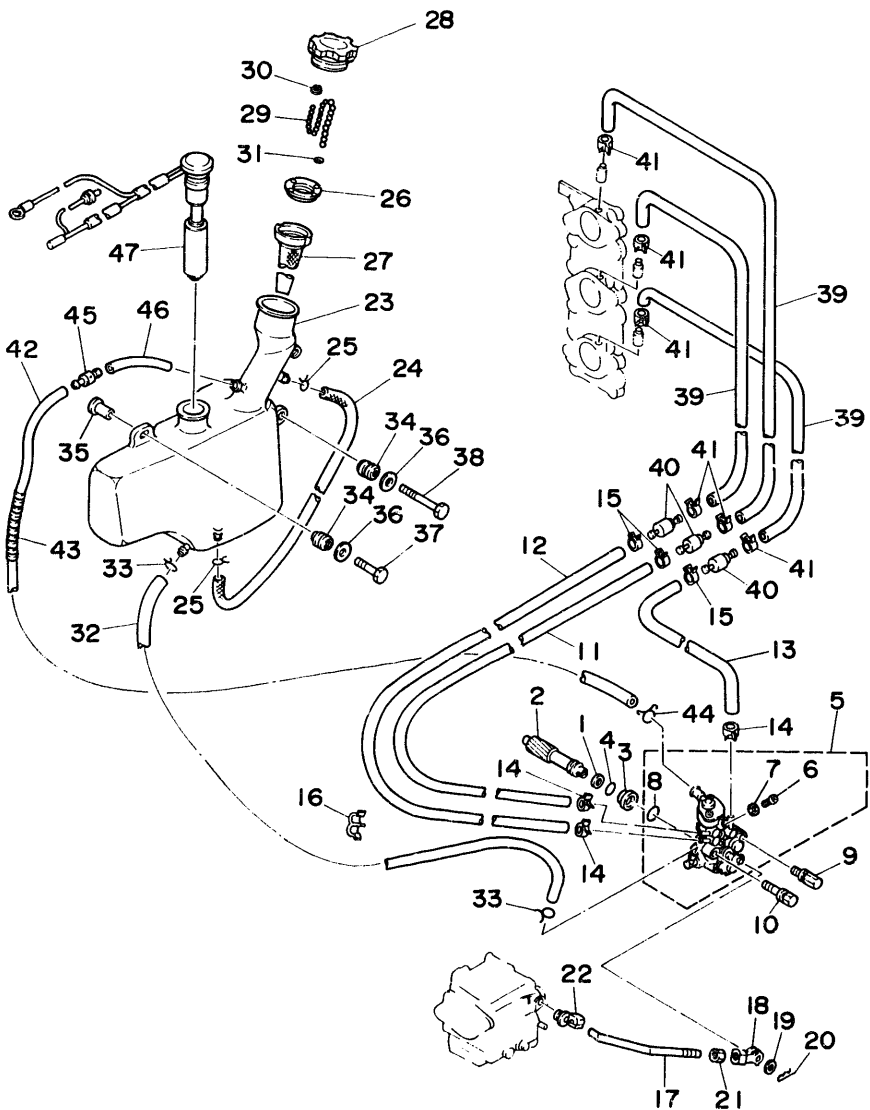
FIG. 20 ALTERNATE 2 (40MM MODEL)

REF. NO.	PART NO.	DESCRIPTION	Q'TY	REMARKS
1	90201-08M93	WASHER, plate	1	
2	6H4-11537-01	GEAR, driven	1	
3	6H1-13117-00	COLLAR, distance	1	
4	93210-13595	O-RING	1	
5	6H4-13200-03	OIL INJECTION PUMP ASSY	1	
6	6H1-13471-00	.PLUG, drain	1	
7	6L2-13475-00	.GASKET	1	
8	93210-19M82	.O-RING	1	
9	90109-06M39	BOLT	1	
10	90109-06M40	BOLT	1	
11	90445-07M44	HOSE	1	
12	90445-07M23	HOSE	1	
13	90445-07MA6	HOSE	1	
14	90468-07M02	CLIP	3	
15	90468-07M02	CLIP	3	
16	90464-07M20	CLAMP	1	
17	6H4-41241-01	ROD, link	1	
18	6H1-41237-00	JOINT, link	1	
19	90202-05088	WASHER, plate	1	
20	90468-05M03	CLIP	1	
21	95380-05600	NUT	1	
22	6E9-41237-00	JOINT, link	1	
23	6H4-21707-12	OIL TANK COMP.	1	
24	90446-09M08	HOSE	1	
25	90467-08004	CLIP	2	
26	6H4-21773-00	GROMMET	1	
27	6H1-21756-00	NET, filter	1	
28	6H4-21770-00	OIL TANK CAP ASSY	1	



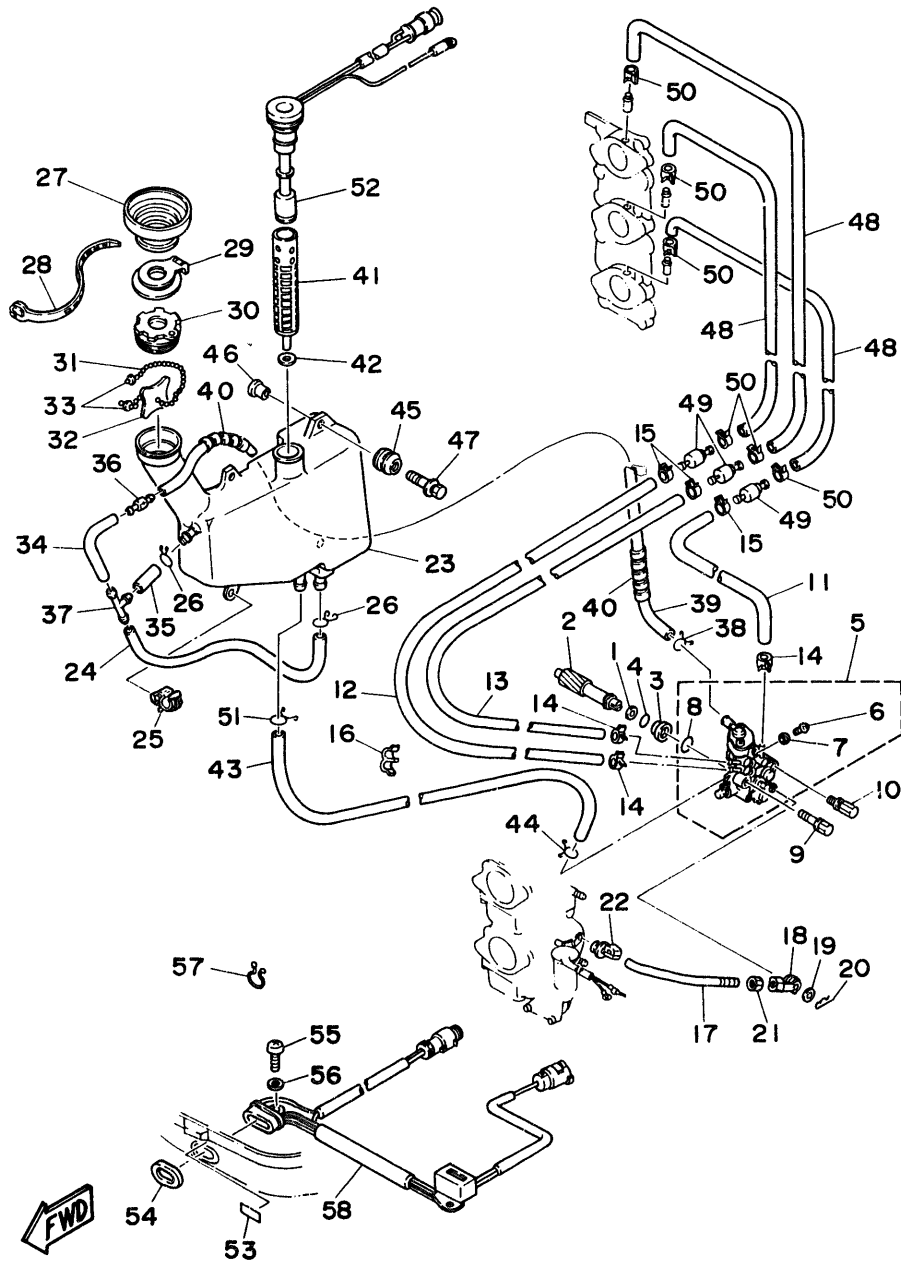
E7

FIG. 20 ALTERNATE 2 (40MO MODEL)



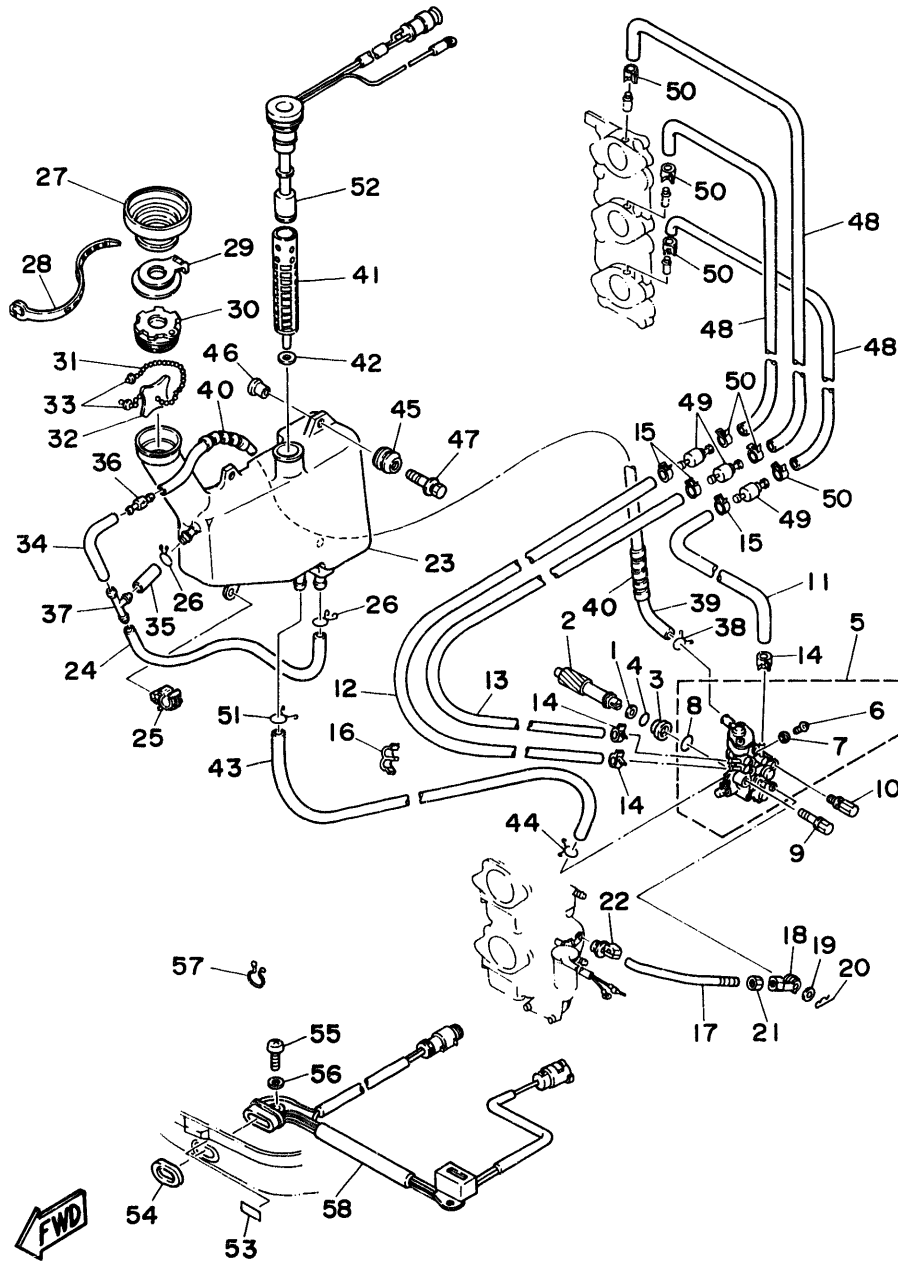
REF. NO.	PART NO.	DESCRIPTION	Q'TY	REMARKS
29	6H4-24633-00	CHAIN, ball	1	
30	6H4-24634-00	HOOK, chain ball	1	
31	6H4-21757-00	WASHER, special 1	1	
32	90445-09M37	HOSE	1	
33	90467-08004	CLIP	2	
34	6A0-82317-00	DAMPER, ignition coil	3	
35	624-42542-00	PIPE	3	
36	90201-06M62	WASHER, plate	3	
37	97313-06030	BOLT	2	
38	97313-06050	BOLT	1	
39	90445-07M87	HOSE	3	
40	6J8-13183-00	VALVE, check	3	
41	90468-07M02	CLIP	6	
42	90445-11M17	HOSE	1	
43	90446-10M01	HOSE	2	
44	90467-10M04	CLIP	1	
45	6J8-21744-00	BREATHER	1	
46	90445-11M23	HOSE	1	
47	6H4-85720-20	OIL LEVEL GAUGE ASSY	1	

FIG. 21 ALTERNATE 3 (40EO/40EPO MODEL)



REF. NO.	PART NO.	DESCRIPTION	Q'TY	REMARKS
1	90201-08M93	WASHER, plate	1	
2	6H4-11537-01	GEAR, driven	1	
3	6H1-13117-00	COLLAR, distance	1	
4	93210-13595	O-RING	1	
5	6H4-13200-03	OIL INJECTION PUMP ASSY	1	
6	6H1-13471-00	.PLUG, drain	1	
7	6L2-13475-00	.GASKET	1	
8	93210-19M82	.O-RING	1	
9	90109-06M39	BOLT	1	
10	90109-06M40	BOLT	1	
11	90445-07M44	HOSE	1	
12	90445-07M23	HOSE	1	
13	90445-07MA6	HOSE	1	
14	90468-07M02	CLIP	3	
15	90468-07M02	CLIP	3	
16	90464-07M20	CLAMP	1	
17	6H4-41241-01	ROD, link	1	
18	6H1-41237-00	JOINT, link	1	
19	90202-05088	WASHER, plate	1	
20	90468-05M03	CLIP	1	
21	95380-05600	NUT	1	
22	6E9-41237-00	JOINT, link	1	
23	6H4-21707-04	OIL TANK COMP.	1	
24	90445-11M17	HOSE	1	
25	90464-11M23	CLAMP	1	
26	90467-11M08	CLIP	2	
27	6H4-21752-00	TUBE, filler 1	1	
28	90465-13M30	CLAMP	1	

FIG. 21 ALTERNATE 3 (40EO/40EPO MODEL)

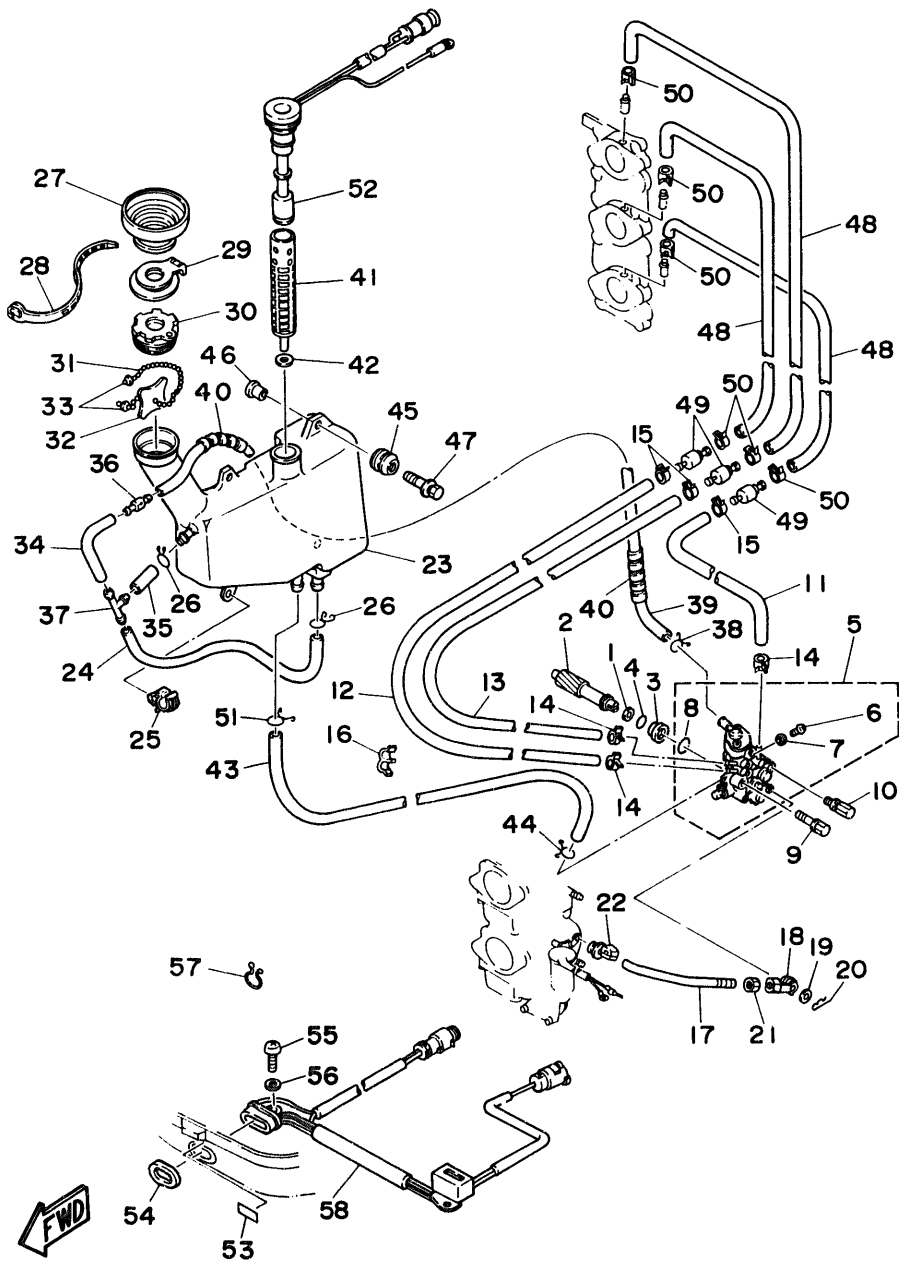


REF. NO.	PART NO.	DESCRIPTION	Q'TY	REMARKS
29	6H1-2176M-01	HOOK	1	
30	6H4-21770-00	OIL TANK CAP ASSY	1	
31	6H5-24633-00	CHAIN, ball	1	
32	6J8-21758-00	WASHER, special 2	1	
33	6H1-21757-00	WASHER, special 1	2	
34	90445-11M23	HOSE	1	
35	90445-11M07	HOSE	1	
36	6J8-21744-00	BREATHER	1	
37	6E5-24378-00	PIPE, joint	1	
38	90467-10M04	CLIP	1	
39	90445-11M17	HOSE	1	
40	90446-10M01	HOSE	2	
41	6J8-13411-00	STRAINER, oil	1	
42	6J8-13414-00	GASKET, strainer cover	1	
43	6L2-13416-00	PIPE, oil 1	1	
44	90467-08004	CLIP	1	
45	6A0-82317-00	DAMPER, ignition coil	3	
46	624-42542-00	PIPE	3	
47	90119-06M65	BOLT, with washer	3	
48	90445-07M87	HOSE	3	
49	6J8-13183-00	VALVE, check	3	
50	90468-07M02	CLIP	6	
51	90467-11M08	CLIP	1	
52	6H4-85720-30	OIL LEVEL GAUGE ASSY	1	
53	6H4-84342-00	SEAT, emblem	1	
54	6H4-83589-00	GASKET	1	
55	92503-06015	SCREW, pan head	1	
56	92990-06600	WASHER, plate	1	

F3

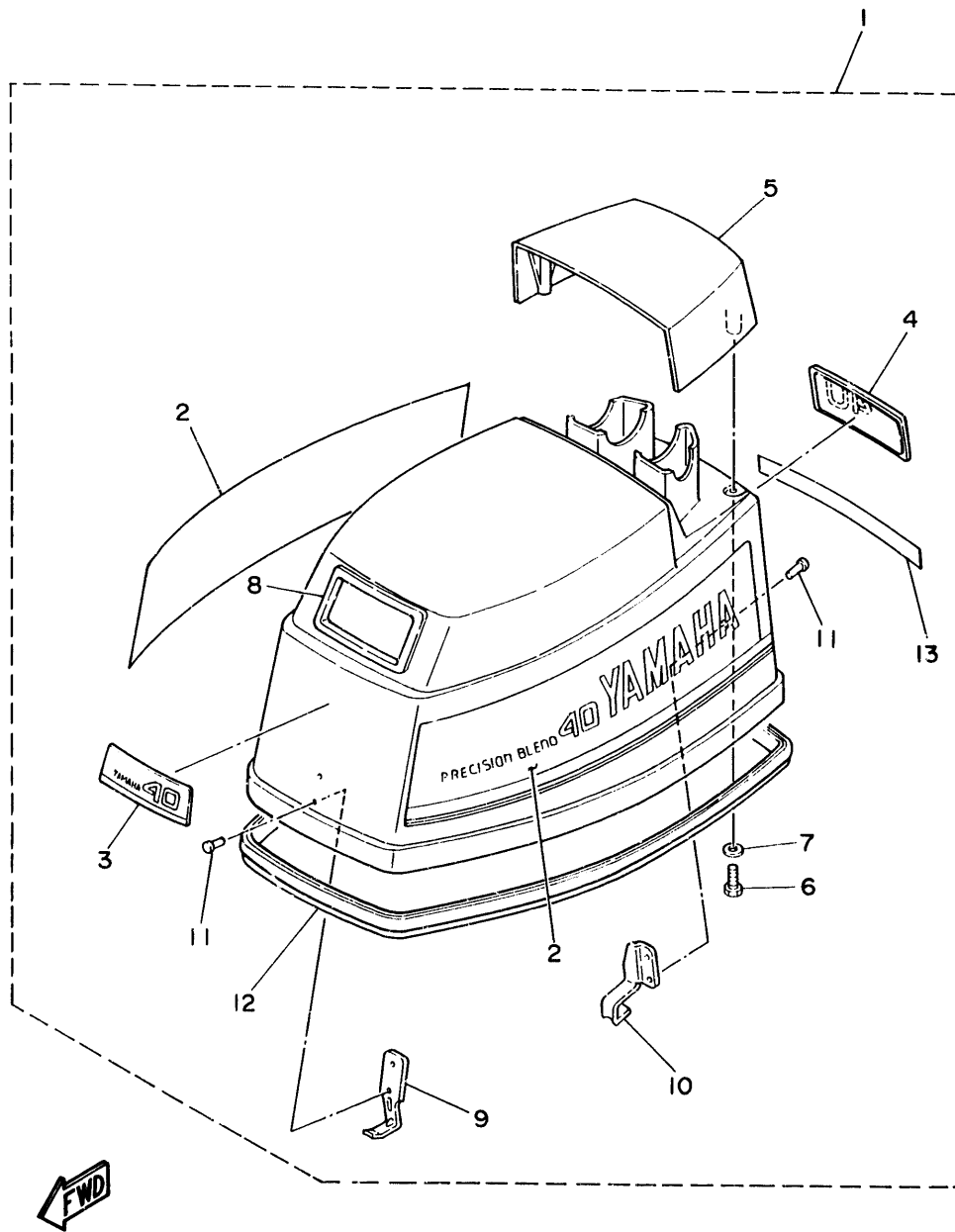
FIG. 21 ALTERNATE 3 (40EO/40EPO MODEL)

REF. NO.	PART NO.	DESCRIPTION	Q'TY	REMARKS
57	90465-18147	CLAMP	1	
58	6H4-84301-01	PILOT LIGHT ASSY 1	1	



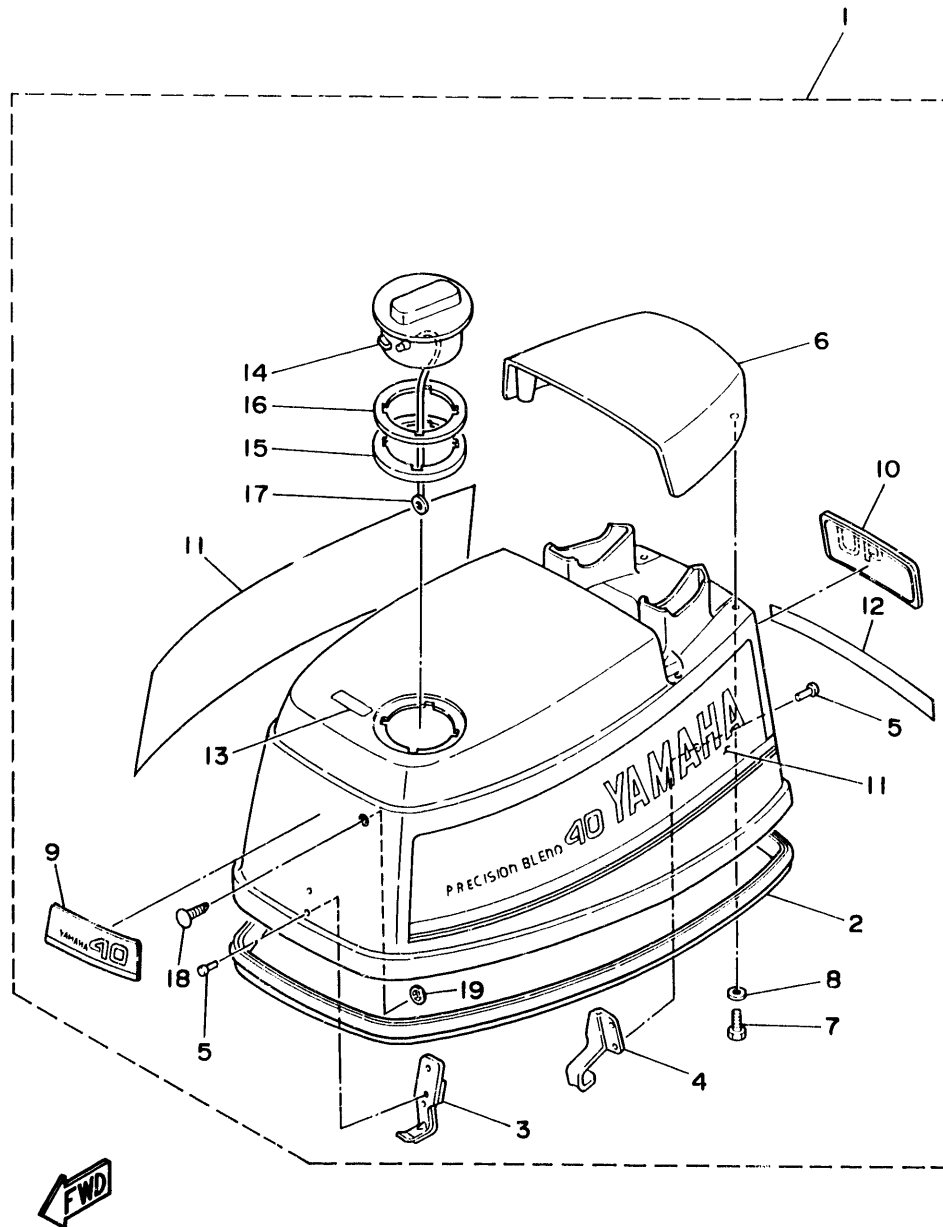
F4

FIG. 23 ALTERNATE 5 (40MO MODEL)



REF. NO.	PART NO.	DESCRIPTION	Q'TY	REMARKS
1	6H4-42610-U1-EK	TOP COWLING ASSY	1	
2	6H4-W0070-U1	.GRAPHIC SET	1	
3	6H4-42686-02	.EMBLEM, front	1	
4	6H4-42687-01	.EMBLEM, rear	1	
5	6H4-42613-00-EK	.MOLDING, air duct	1	
6	97395-06016	.BOLT	4	
7	92990-06600	.WASHER, plate	4	
8	6H4-15761-00	.SEAL, rubber 1	1	
9	6H4-42651-00	.HOOK	1	
10	6H4-42652-00	.HOOK	1	
11	90266-04M01	.RIVET	4	
12	6H4-42615-00	.SEAL	1	
13	6H4-42682-10	.MARK, cowling	1	

FIG. 24 ALTERNATE 6 (40EO/40EPO MODEL)



REF. NO.	PART NO.	DESCRIPTION	Q'TY	REMARKS
1	6H4-42610-44-EK	TOP COWLING ASSY	1	
2	6H4-42615-00	.SEAL	1	
3	6H4-42651-00	.HOOK	1	
4	6H4-42652-00	.HOOK	1	
5	90266-04M01	.RIVET	4	
6	6H4-42613-10-EK	.MOLDING, air duct	1	
7	97395-06016	.BOLT	4	
8	92990-06600	.WASHER, plate	4	
9	6H4-42686-11	.EMBLEM, front	1	
10	6H4-42687-10	.EMBLEM, rear	1	
11	6H4-W0070-42	.GRAPHIC SET	1	
12	6H4-42682-40	.MARK, cowling	1	
13	6H4-13436-40	.MARK	1	
14	6H1-2177H-00	.DISK CAP 2	1	
15	6H3-21732-00	.SEAL 1	1	
16	6H3-21735-00	.SEAL 2	1	
17	6H1-42694-00	.BAND	1	
18	90338-05M12	.PLUG	1	
19	90183-05M06	.NUT, spring	1	

F7

NUMERICAL INDEX

PART NO.	REF. NO.	PART NO.	REF. NO.	PART NO.	REF. NO.	PART NO.	REF. NO.	PART NO.	REF. NO.	PART NO.	REF. NO.
6H4-W0001-02	40- 1	6H4-12414-00	40- 5	6H4-14548-00	40-25	6H4-15747-00	5-43	6Y1-24306-51	22- 9	6H4-41133-00	14-15
6H4-W0001-20	41- 1	6H1-13117-00	20- 3	679-14555-00	4-24	6H4-15747-10	5-52	6H4-24311-00	19- 9		41- 4
6H4-W0004-00	3- 2		21- 3	6H4-14561-00	4-33	656-15748-00	5-46	6H4-24312-00	6-35	6H4-41134-00	14- 7
6H4-W0070-H2	8-12	6J8-13183-00	20-40	6H4-14562-00	4-34	6F5-15752-00	5- 9	6H4-24313-00	6-34		41- 3
6H4-W0070-U1	23- 2		21-49	6H4-14567-00	4-30	689-15755-01	5-15	6H4-24314-00	6-13	6H4-41137-00-94	14- 5
6H4-W0070-42	24-11	6H4-13200-03	20- 5	6H2-14578-00	4- 9	6H4-15758-00-94	5- 4	6Y1-24329-00	7- 6	6H4-41213-04	27- 1
6H4-W0078-0A	41-26		21- 5	6H3-14590-00	4-26	6H4-15761-00	8- 2		22- 6	6H4-41213-14	13- 1
6H4-W0078-00	41-15	6J8-13411-00	21-41		40-21		23- 8	650-24351-51	7-13	6H4-41217-01	3-24
6Y5-W0080-11	37- 1	6J8-13414-00	21-42	6H4-14592-10	4-32	6H4-15762-00	5- 7		22-13	6E9-41237-00	20-22
6Y5-W0081-30	37- 9	6L2-13416-00	21-43	663-14592-00	4- 5	6H4-15770-00	5-45	6Y1-24360-51	7-11		21-22
6H4-W0084-04-EK	12- 1	6H4-13436-40	24-13	6H4-14711-00-9M	14- 9	6H4-15770-10	5-45		22-11	6H1-41237-00	20-18
6Y5-W0088-00	37-19	6H1-13471-00	20- 6	6H4-14711-10-5B	14- 9	6H4-15771-01-94	5-30	6E5-24378-00	21-37		21-18
6Y5-W0088-10	38- 9		21- 6	692-14923-00	4-25	6H4-15772-02-94	5-33	688-24378-00	6-32	6H4-41237-00	13- 6
6Y5-W0088-20	38-19	6L2-13475-00	20- 7		40-30	6H4-15774-00	5-40	6A0-24410-04	6-15		27- 6
6Y5-W0088-31	38- 1		21- 7	676-14943-30	4-21	6H4-15774-10	5-48	6H5-24411-00	4-43	6H4-41241-01	20-17
688-W0088-40	39- 5	6H5-13610-00	3- 1	676-14943-31	4-21	6F5-15779-02	5-16	648-24411-00	6-16		21-17
6H4-W0090-04-EK	1- 1	6H4-13621-01	3- 7		4-21	6H4-15787-01	5-14	663-24411-00	6-24	6H4-41257-00	3-18
6H4-W0090-14-EK	19- 1		40-11	676-14943-32	4-21	6A0-15789-00	5- 8	6H4-24412-00	4-31	6H4-41259-01	3-21
6H4-W0093-02	40-18	6H4-13624-01-94	3- 6	6H4-14947-07	4-20	6H4-21707-04	21-23	6H4-24413-00	4-35	6J8-41262-00	3-22
6Y1-W2420-42-24	7- 1	6H4-13641-12-94	19- 7	6H4-14948-11	4-23	6H4-21707-12	20-23	648-24413-01	6-25		11-46
	22- 1	6H4-13641-20-94	3- 5	676-14966-00	4-22	6H3-21732-00	24-15	6A0-24421-01	6-20	661-41262-02	3-19
656-W2810-01	7-18	6H4-13641-30-94	19- 7		40-20	6H3-21735-00	24-16	6L5-24421-00	4-37		5-53
6H4-11111-00-94	1-10	6H4-14146-00	4-15	6H4-14980-00	4-17	6J8-21744-00	20-45	648-24423-00	6-18	6H4-41271-01	3-20
6H4-11119-00	1- 6	6H4-14147-00	4-28		4-17		21-36	648-24424-00	6-17	689-41273-00	3-25
6H4-11181-00	1-11		40-29	6H4-14980-10	4-17	6H4-21752-00	21-27	650-24431-00	6-28	6J8-41274-00	3-23
	40- 2	663-14159-00	4-12	6H4-14984-00	4-16	6H1-21756-00	20-27		40-16	6H4-41632-01	13- 3
6H4-11191-00-9M	1-14		40-22		40-14	6H1-21757-00	21-33	6H5-24434-00	4-42		27- 3
6H4-11193-00	1-15	676-14186-00	4-13		40-26	6H4-21757-00	20-31	648-24434-01	6-19	6H4-41633-01	13-30
	40- 3		40-23	6H4-14985-00	4-14	6J8-21758-00	21-32	648-24435-02	6-23	6G5-41636-01	13- 5
688-11325-00	1- 8	6H4-14198-01	3-10		40-24	6H1-2176M-01	21-29	6H4-24452-01	4-29		27- 5
6H4-11400-03	2- 1		40-12	6H3-14992-00	4-18	6H1-2177H-00	24-14	6H4-24486-00	4-36	6F5-41662-00	13-22
6H4-11400-13	19- 3		40-19	6H4-15100-03-94	1- 2	6H4-21770-00	20-28	655-24521-01	6- 9		27-22
6H4-11445-00	2- 2	6H4-14301-08	4- 1	6H4-15100-11-94	19- 2		21-30	655-24560-01	6- 6	6H4-42111-01-EK	12- 2
6H4-11536-00	19- 4	6H4-14301-11	4- 1	6H4-15359-03-94	17- 3	6H4-21773-00	20-26	6F5-24563-00	6- 7	664-42119-00	12- 3
6H4-11537-01	20- 2	6H4-14302-08	4- 2		28- 3	6Y1-24244-20	7- 2	6H4-24566-01	6-10	6H4-42121-02-5B	10-33
	21- 2	6H4-14302-11	4- 2	6H4-15369-01	2-13		22- 2	6Y1-24610-00	7- 3	656-42126-01	12-24
6H4-11601-00	2- 8	6H4-14303-08	4- 3		40- 7	6Y1-24255-40	7- 8		22- 3	6H4-42131-00	12-15
6H4-11601-10	2- 8	6H4-14303-11	4- 3	6H4-15396-02-9M	2-14	6Y1-24256-50	22- 8	6H4-24633-00	20-29	6L2-42137-00	12- 5
6H4-11601-20	2- 8	6A0-14325-00	6-21	6H4-15705-00	5-26	6Y1-24260-02	7- 4	6H5-24633-00	21-31	6H4-42138-01	12-10
6H4-11631-01-95	2- 7	6H4-14406-00	3-11	6H4-15710-02-94	5- 1		22- 4	6H4-24634-00	20-30	6H4-42159-00	12-12
648-11633-00	2- 9	6H4-14431-01	3-13	6H4-15711-02-94	5- 2	6Y1-24268-00	7- 5	6H4-26311-02	12-16	6G1-42177-00	12- 4
6H4-11634-01	2-12	6H4-14431-11	3-13	6H4-15714-00	5-18		22- 5	80L-26397-00	34-58	6H4-42510-01-EK	25-51
6H4-11635-01	2- 7	6H3-14457-01	3-14	6H4-15717-00	5-20	6G1-24304-02	6- 1	6E0-28193-00-94	7-19	6H4-42510-11-EK	10-25
6H4-11636-01	2- 7		40-13	6H4-15723-01-94	5-36	6G1-24305-00	7-14	6H4-41111-00-9M	1-23	6J8-42528-00	10-22
6H4-11641-00	2-11	6H1-14485-00	19- 8	6J8-15723-E1	29-26		22-14	6H4-41113-00-9M	1-22		25-21
6E5-12411-10	1-17		19- 8	676-15741-03	5-24	6Y1-24305-01	7-16	6H4-41114-00	1-24	624-42542-00	20-35
6H4-12413-00-9M	1-18	663-14523-00	4- 7	6H4-15746-00	5-50		22-16		40- 6		21-46
6H4-12414-00	1-19	6H4-14548-00	4-10	682-15746-00	5-42	6Y1-24306-51	7- 9	6H4-41131-01-5B	14- 8	6H4-42610-H2-EK	8- 1

NUMERICAL INDEX

PART NO.	REF. NO.	PART NO.	REF. NO.	PART NO.	REF. NO.	PART NO.	REF. NO.	PART NO.	REF. NO.	PART NO.	REF. NO.
6H4-42610-U1-EK	23- 1	6H5-43126-02	25-41	6H5-4382E-00	26- 8	6H4-44121-01	13-15	6H1-44526-00	25- 8	663-45577-01-12	15-54
6H4-42610-44-EK	24- 1	6H5-43128-00-EK	25- 6	6H5-43826-00	26-43		27-15	6H4-44551-01-EK	10-31	663-45577-01-15	15-54
6H4-42613-00-EK	8- 7	6J8-43131-01	10- 9	6H5-43829-00	26-26	6H4-44125-01	13-20		25-57	663-45577-01-18	15-54
	23- 5		25-14	6H5-43836-00	26-16		27-20	6H4-44553-01	10-37	663-45577-01-30	15-54
6H4-42613-10-EK	24- 6	6E5-43145-00	32- 9	6H5-43837-00	26-15	682-44132-00	13-14		25-63	663-45577-01-40	15-54
6H4-42615-00	8- 3	663-43145-00	10-14	6H5-43840-02-EK	26- 1		27-14	6H4-44557-00	10-36	663-45577-01-50	15-54
	23-12		25-19	6H5-43841-00	26- 2	6H4-44143-00	13-25		25-62	663-45587-01-10	15- 5
	24- 2	6H4-43160-01	11- 1	6H5-43844-00	26-19		27-25	6H4-44557-10	10-36	663-45587-01-12	15- 5
6H4-42651-00	8- 4	676-43160-02	25-24	6H5-43846-02	26-10	648-44146-00	13-29		25-62	663-45587-01-15	15- 5
	23- 9	676-43165-00	11- 2	6H5-43849-00	26- 6		27-29	6H4-45111-00-EK	14- 1	663-45587-01-18	15- 5
	24- 3		25-25	6H5-4385A-00	26-28	6G1-44147-00	15-12	6H4-45111-10-EK	14- 1	663-45587-01-30	15- 5
6H4-42652-00	8- 5	6H5-43181-01	25-33	6H5-43853-00	26- 7	6H4-44150-00	15-49	6H4-45113-00	14-16	663-45587-01-40	15- 5
	23-10	6J8-43181-01	11- 5	6H5-43853-10	26-22	6H4-44150-11	15-49		40-17	663-45587-01-50	15- 5
	24- 4	6H5-43185-01	25-34	6H5-43855-01	26-24	6H4-44160-00	15-50	6H4-45114-00	14- 6	679-45611-01	15-41
6H4-42682-10	8-13	6J8-43186-00	11-41	6H5-43856-00	26-18	6H4-44173-00	36- 4		41- 2	6H4-45631-00	15-44
	23-13	6J8-43187-00	11-42	6H5-43857-00	26-31	6H4-44173-01	30-13	663-45119-00	10-21	663-45633-00	15-46
6H4-42682-40	24-12	6H5-43311-03-EK	25-20	6H5-43858-00	26-30	688-44194-00	13-12		25-29	663-45634-00	15-43
6H4-42686-02	8-10	6J8-43311-04-EK	10-19	6H5-43858-10	26-17		27-12	663-45123-00	14-10	676-45635-00	15-42
	23- 3	663-43318-00	25-39	6H5-43859-00	26-23	6J8-44311-00	15-20		41- 5	663-45930-00-98	16-28
6H4-42686-11	24- 9	682-43318-01	11-10	6H5-4386F-00	26-25	663-44315-00	15-23	688-45214-02	16- 3	663-45941-01-EL	16-28
6H4-42687-01	8-11	689-43373-01	10-23	6H5-43861-00	26- 3		41- 8	688-45215-02	16- 4	6H5-45943-00-EL	16-28
	23- 4		25-22	6H5-43862-00	26- 5	663-44316-00	15-29	6H1-45251-02	25- 7	663-45943-02-EL	16-28
6H4-42687-10	24-10	6J8-43611-01	11-20	6H5-43863-00	26- 9		41-18	6H4-45300-01-EK	15- 1	6H5-45945-00-EL	16-28
6H1-42694-00	24-17	6J8-43613-01	11-18	6H5-43864-00	26-11		41-10	6H4-45300-11-EK	15- 1	663-45945-02-EL	16-28
6H4-42711-04-EK	9- 1	6J8-43614-00	11-16	6H5-43865-00	26-12		41-21	6H4-45301-01-EK	15- 2	663-45947-02-EL	16-28
6H4-42716-00	9-19	6J8-43615-00	11-17		26-27	670-44321-00	41-28	6H4-45321-01	15-10	663-45949-01-EL	16-28
6H4-42724-00	9-17	6H4-43616-00	11-29	6H5-43866-00	26-14	663-44322-00	15-21	679-45331-00-94	15-52	6H5-45952-00-EL	16-28
6H4-42724-20	30- 9		11-38	6H5-43867-00	26-20		41-16	688-45341-00	15- 9	663-45952-02-EL	16-28
6H4-42725-00	30-10	6J8-43616-10	11-47	6H5-43868-00	26-21	670-44322-01	41-27	664-45371-01	16- 7	663-45954-01-EL	16-28
6H4-42726-00	9- 9	6J8-43617-00	11-32	6H5-43871-00	26-35	663-44323-00	15-30	688-45375-00	16- 2	663-45956-01-EL	16-28
6H5-42726-00	9- 9	6J8-43617-10	11-40	6H5-43872-00	26-48		41-19	663-45376-00-94	16- 1	6H5-45958-00-EL	16-28
676-42726-00	30-11	6J8-43627-00	11-11	6H5-43873-00	26-38	670-44323-00	41-29	6H4-45378-00	15-15	663-45958-01-EL	16-28
	35- 4	6J8-43631-00	11-26	6H5-43875-00	26-13	663-44324-00	15-31	697-45384-00	15-60	663-45970-60-98	16-28
	35- 7	6J8-43631-10	11-36	6H5-4388A-00	26-53		41- 9	6H4-45501-00	15-35	663-45972-60-98	16-28
6H3-42727-00	9-14	6J8-43633-00	11-27	6H5-43880-00	26-42		41-20	6H4-45501-10	15-35	663-45974-60-98	16-28
682-42727-00	9-20		11-37	6H5-43883-00	26-34	663-44341-00-94	15-26	6H4-45536-00	15- 4	663-45976-00-98	16-28
6H4-42741-00	9-25	6J8-43641-00	11-30	6H5-43886-00	26-47	6H4-44352-02	15-22	6H4-45551-00	15-36	663-45978-00-98	16-28
6G1-42748-00	19-13		11-39	6H5-43887-00	26-46		41-17	6H4-45560-00	15-38	663-45987-02	16-23
6H4-42815-00	9- 3	6H4-43659-00	11-19	6H5-43891-00	26- 4	6H4-44361-00	16-20	6H4-45567-01-10	15-40	670-45997-02	16-24
6H4-42816-00	9- 6	6J8-43673-00	11-35	6H5-43893-00	26-32	6H4-44361-10	16-20	6H4-45567-01-12	15-40	701-48101-10	31- 1
6H4-43111-04-EK	10- 1	6J8-43681-01	11-34	6H5-43896-00	26-37	663-44366-00	15-24	6H4-45567-01-15	15-40		33- 1
6H5-43111-02-EK	25- 1	6H5-43801-00	26-29	6H5-43897-00	26-41		41-24	6H4-45567-01-18	15-40	701-48102-10	31- 2
6H4-43112-04-EK	10- 2	6H5-4381A-00	26-39	6H4-44111-00	13-13	663-44367-00	16-22	6H4-45567-01-30	15-40		33- 1
6H5-43112-03-EK	25- 3	6H5-4381E-00	26-36	6H4-44111-10	27-13	6E5-44391-00	9-18	6H4-45567-01-40	15-40	701-48110-22	31- 3
6J8-43113-01	10-11	6H5-4381F-00	26-45	6H4-44116-00	13-17	6H4-44511-00-EK	10-47	6H4-45567-01-50	15-40		33- 1
	25-16	6H5-43811-00	26-44		27-17		25-72	6H4-45571-00	15-51	701-48126-00	33-41
648-43114-01	10- 8	6H5-43812-00	26-40	682-44117-00	13-18	6H4-44514-00	10-43	663-45576-00	15-55	701-48152-11	33-13
616-43118-00-EK	10- 5	6H5-43814-00	26-33		27-18		25-68	663-45577-01-10	15-54	701-48152-20	33-13

NUMERICAL INDEX

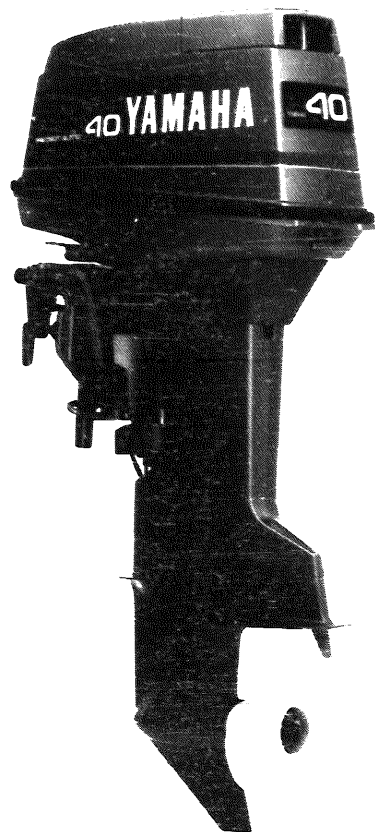
PART NO.	REF. NO.	PART NO.	REF. NO.	PART NO.	REF. NO.	PART NO.	REF. NO.	PART NO.	REF. NO.	PART NO.	REF. NO.
701-48153-12	33-34	701-48248-00	34-16	701-48320-90	31- 6	6H4-81945-00	29-42	689-82571-02	36-11	6Y5-83544-00	38-24
703-48153-00	34- 3	701-48249-00	33-11	6H4-48344-00	31- 8	6H5-81950-00	30-19	703-82574-00	34-49	6Y5-83553-00	37- 7
701-48189-11	33-32	703-48250-12	31- 4	663-48344-00	13-35	6H4-81952-00	29-41		36- 8		39-18
703-48189-00	34-20		34- 1	703-48345-01	33-37	6G1-81970-61	30- 2	6H4-82575-00	9-28	663-83553-A0	38- 7
701-48196-11	33- 7	701-48252-00	33- 4		34-22		35- 8	688-82575-01	34-51		38-18
701-48197-10	33- 3	703-48252-00	34-15	701-48350-00	31- 6	6H4-82105-01	30- 1		36- 9		38-27
703-48197-00	34- 6	701-48255-00	33-21	701-48350-10	31- 6	6H4-82117-00	29-20	689-82575-12	35- 1	663-83553-Y0	38- 8
701-48198-10	33-15	701-48261-00	33-38	701-48350-20	31- 6	6Y5-82117-00	39-16	688-8258A-10	36-20		38-17
703-48198-00	34-17	701-48261-10	33-38	701-48358-00	33-39	6G1-82127-00	26-52	688-8258A-20	34-53		38-26
703-48210-12	31- 4	703-48261-10	34- 2	703-48358-00	34-23	6H4-82127-00	10-42	688-8258A-30	36-20	6G1-83557-00	18-14
	34- 1	703-48263-00	34- 8	6H4-48511-50-EK	25-59	6H5-82127-00	25-49	688-8258A-50	36-19	688-83557-00	37-15
701-48213-00	33-19	703-48264-00	34- 9		31-10	6E5-82148-00	10- 3	663-82581-01	36-12	6E5-83558-00	15-18
703-48215-00	34-46	703-48265-00	34-12	6H4-48531-00-94	9-10		25- 4	6E5-82582-00	30-28	6Y5-83577-00	38- 4
702-48217-00	34-47	701-48266-00	33-30	6H4-48531-10-94	30- 7	6H5-82149-00	25-50	6H4-82582-00	30-29	6H4-83589-00	21-54
703-48219-00	34-33	701-48268-00	33-18	6H4-48532-00-94	9-11	6Y5-82149-00	39-15	688-82586-11	36-20	6Y5-83590-00	38-10
703-48220-11	31- 5	703-48268-00	34- 7	6H4-48532-10-94	30- 8	1E6-82151-00	37- 8	688-82586-21	34-53	688-83591-00	38-15
	34- 1	701-48271-00	33-35	6E5-61301-01	32-11		39-19	688-82586-31	36-20	6Y5-83660-00	37-20
701-48221-00	33- 6	701-48271-10	33-35	688-61301-01	32-11	6G1-82151-00	30- 3	688-82586-50	36-19	688-83664-00	37-23
703-48221-00	34-60	703-48273-00	34- 5	6E5-61303-00	32-16		35- 9	6H4-82588-00	30-16		38- 3
701-48222-00	33-27	701-48280-00	33-47	6E5-61311-11	32-17	6A0-82317-00	20-34	6H4-82590-11	30-18		38-13
703-48222-00	34-30	703-48280-12	31- 5	688-61311-11	32-17		21-45	6H4-82590-22	30-18		38-23
703-48222-10	34-30		34- 1	6E5-61313-00	32-20	663-82370-01	18-11	701-82594-00	33-43	688-83665-00	37-24
703-48223-00	34-31	701-48281-00	33-16	6E5-61315-00	32-19	689-82510-00	36- 7	703-82594-00	34-28	688-83666-00	37-26
703-48224-00	34-59	701-48282-00	33-28	689-61350-02	32- 1	703-82510-01	34-48	6H5-83354-00	17- 9	688-83667-00	37-25
703-48225-00	34-32	701-48283-00	33-42	689-61351-01	32- 2	703-82510-10	34-48		28- 9	663-83668-00	37-27
703-48226-00	34-29	703-48284-00	34-56	6H4-81332-00	17-22	688-82520-00	39-13	688-83373-10	39- 4	6H4-84301-01	21-58
703-48227-00	34-27	701-48287-00	33-45	6H4-81337-01	29-21	6Y5-82521-00	39-17	688-83383-11	39- 1	663-84301-01	39- 6
701-48229-00	33-26		34-45	6J8-81365-00	5-37	663-82521-09	39-12	703-83383-01	34-55	663-84309-00	39- 7
703-48230-11	31- 4	702-48288-00	33-23		29-27	688-82526-00	39-14	6Y5-83504-01	38- 2	6H4-84342-00	21-53
	34- 1	701-48289-00	33-17	6F5-81800-10	29- 1	6H4-82531-02	18- 4	6Y5-83510-30	37-10	6J8-85410-00	9-31
701-48232-00	33-31	703-48290-01	31- 7	689-81807-12	29- 3	703-82531-00	34-50	6Y5-83514-00	37- 6	6H4-85411-00	9-31
701-48234-00	33- 5	701-48291-00	33-44	689-81809-11	29- 6	6H4-82537-00	9-30		37-14	6H4-85415-00	9-32
703-48234-00	34-21	703-48293-00	34-44	689-81810-11	29- 8	6H3-82540-00	36- 1	688-83516-00	37- 3	6H4-85415-10	9-32
701-48235-00	33- 2	703-48293-10	34-44	689-81811-11	29- 9	703-82540-00	34-54		37-11	6H5-85520-00	17- 4
703-48235-00	34- 4	701-48310-10	31- 6	689-81812-11	29-11	689-82550-11	35- 5	6Y5-83518-00	37-21		28- 4
701-48236-00	33- 8	701-48310-20	31- 6	689-81813-10	29-12	701-82550-50	33-40		38- 5	6H5-85533-00	28- 5
703-48236-00	34-19	701-48310-40	31- 6	689-81820-11	29-13	6A0-82553-20	35- 3		38-11	6H5-85533-01	17- 5
702-48237-00	33- 9	701-48310-60	31- 6	6H4-81822-00-94	29-30		35- 6		38-21	6H5-85540-00	18- 1
702-48238-00	33-10	701-48310-80	31- 6	689-81826-10	29-14	6H4-82553-00	36- 3	6Y5-83523-00	37- 5	6H5-85550-00	28- 1
703-48238-00	34-25	701-48310-90	31- 6	6F5-81830-11	29- 4	6H4-82554-00	30-12		37-13	6H5-85550-10	17- 1
701-48239-00	33-29	701-48320-00	31- 6	689-81840-11	29-10		36- 2	6Y5-83536-00	37-22	6H5-85560-01	17- 2
701-48243-00	33-14	701-48320-20	31- 6	689-81847-11	29- 5	682-82556-00	9-29		38- 6		28- 2
703-48243-00	34-18	701-48320-30	31- 6	689-81850-11	29- 7		34-52		38-12	6H5-85570-00	18- 7
703-48244-00	34-24	701-48320-40	31- 6	689-81857-11	29- 2		35- 2		38-22	6H5-85580-00	17- 6
703-48245-00	34-14	701-48320-50	31- 6	697-81901-60	39- 9		36-10	6Y5-83536-10	37- 4	6H5-85580-01	28- 6
701-48246-00	33-24	701-48320-60	31- 6	663-81910-10	35-12	689-82560-00	18-12		37-12	6H5-85580-10	17- 7
703-48246-00	34-26	701-48320-70	31- 6	6H5-81920-00	30-24	703-82563-01	34-59	6Y5-83540-12	37- 2		28- 7
701-48248-00	33-12	701-48320-80	31- 6	6G1-81941-10	29-40	689-82570-15	36- 6	6Y5-83544-00	38-14	6H5-85580-20	17- 8

NUMERICAL INDEX

PART NO.	REF. NO.	PART NO.	REF. NO.	PART NO.	REF. NO.	PART NO.	REF. NO.	PART NO.	REF. NO.	PART NO.	REF. NO.
6H5-85580-20	28- 8	90183-05M06	24-19	90214-48M03	15-59	90430-14115	1-13	90465-13M11	25- 2	90890-44373	5-17
6H4-85720-20	20-47	90185-05002	16- 6	90243-04M00	10- 6		37-28	90465-13M30	21-28	91316-06020	26-49
6H4-85720-30	21-52	90185-06062	12-26	90249-06M24	11-31		38-16	90465-13M36	18- 2	91490-16010	13-28
6Y5-85750-00	38-20	90185-08045	10-46	90249-07M25	11-44		40- 4	90465-13169	34-57		27-28
688-85752-01	38-25		25-71	90249-12M27	11-12	90445-07MA6	20-13	90465-18147	21-57	91490-20010	11-25
6H4-86120-00	4-41	90185-09M01	32- 4	90249-12M28	11- 7		21-13		30- 6	91490-30030	16-27
90101-08M86	10-44		32-12	90250-06023	15-45	90445-07ME9	15-17		30-27		25-38
	25-69	90185-10051	10-35	90266-04M01	8- 6	90445-07M23	20-12	90467-06016	19-12	91690-30010	11- 3
90101-08339	10-15		25-61		23-11		21-12	90467-08004	1-26	91690-30012	25-26
90101-09M66	32- 7	90185-12058	12-23		24- 5	90445-07M24	19-11		6- 5	91690-30020	30-14
90101-09M70	32-14	90185-22043	10-13	90269-02M09	12- 6	90445-07M31	15-17		6-14		36- 5
90101-10M58	10-50		25-18	90280-03024	15-25	90445-07M44	20-11		6-36	91690-30316	13-21
90101-12M37	12-17	90201-05652	4- 6		41-25		21-11		20-25		27-21
90101-12M65	25-75	90201-06M02	9- 7	90280-05049	17-19	90445-07M87	20-39		20-33	91690-30318	13-16
90105-06M18	10-24	90201-06M31	25- 9	90282-04010	15-61		21-48		21-44		27-16
	25-23	90201-06M62	20-36	90338-05M03	9- 2	90445-09M37	1-25	90467-10M04	20-44	91690-40018	5- 3
90109-06M04	5-44	90201-06060	5-21	90338-05M11	29-39		6- 4		21-38	91790-05020	13-26
	5-51	90201-06416	9-23	90338-05M12	24-18		20-32	90467-11M08	21-26		27-26
90109-06M39	20- 9	90201-08M93	20- 1	90340-08M04	15- 7	90445-09057	6-33		21-51	92501-06025	17-13
	21- 9		21- 1	90340-14M00	1-12	90445-09063	6-31	90468-05M03	20-20		28-13
90109-06M40	20-10	90201-09425	10-45	90386-08032	12-11	90445-11M05	7-12		21-20	92501-06030	17-15
	21-10		25-70	90386-10M16	25-35		22-12	90468-07M02	20-14		28-15
90109-06M43	13- 2	90201-10M20	32- 3	90386-10M19	25-40	90445-11M06	7-10		20-15	92503-06015	21-55
	27- 2	90201-10M63	32- 8	90386-12M64	25-43		22-10		20-41	92680-06090	34-42
90113-05M06	13-33	90201-10M76	32-13	90386-12M65	25-42	90445-11M07	21-35		21-14	92780-06025	33-20
90116-06M22	29-43	90201-12426	10-52	90386-12069	9- 5	90445-11M17	20-42		21-15	92901-04100	36-14
90116-10175	10-34		25-77	90386-12089	12-18		21-24		21-50	92901-05100	17-11
	25-60	90201-12537	12-21	90386-18M44	25-48		21-39	90468-18008	13-36		28-11
90116-18M21	25-45	90201-16M44	17-21	90386-22M15	25-15	90445-11M23	20-46		31- 9	92901-05600	12-14
90119-06M13	1- 4	90201-22428	10-12	90386-22M69	10-10		21-34	90480-09M21	9-21		17-12
90119-06M51	18- 3		25-17	90386-30M60	10-30	90446-09M08	20-24	90480-25161	18- 8		28-12
90119-06M65	21-47	90201-22429	15-47		25-53	90446-10M01	20-43	90501-10M21	25-37	92990-05100	6-27
90119-08M19	1- 3	90201-30M00	10-27	90386-30M77	10-26		21-40	90501-10227	5-47		36-17
90119-08M29	1-16		25-55		25-54		25-32	90501-10326	4- 8	92990-05600	3- 4
90149-05M05	36-15	90201-50306	2- 6	90386-30M78	10-28	90446-10M02	18-13	90501-16M01	15-48		9-13
90149-14M12	10- 7	90202-05088	20-19		25-56	90464-03M15	17-17	90501-23215	12- 9		13-27
90157-06M00	13-10		21-19	90387-06M05	30-23		28-17	90502-10M04	11- 4		13-32
	27-10	90202-12031	11- 9	90387-06M19	13- 8	90464-05M16	18-15		25-27		27-27
90170-07021	13-37		11-14		27- 8	90464-06M19	3-26	90506-12M25	11- 6		30- 5
	27-30	90202-12060	16-19	90387-06M41	9-22	90464-07M20	20-16	90506-32M22	11-24		35-11
90170-09M03	32- 5	90202-12092	12-20	90387-06M65	29-22		21-16	90508-18M23	11-28		36-18
90170-09M05	32-15	90206-12M16	11-15	90387-06M69	5-10		30-30	90508-20M22	11-48		39- 3
90170-12138	15-37	90206-12052	9- 4	90387-07M64	11-21	90464-09M13	29-15	90508-25M21	11-43	92990-06100	17-14
90170-14M06	32-21	90206-12054	12-22	90387-08M03	10-16	90464-11M23	21-25	90508-26M20	13- 4		17-16
90170-18M10	25-46	90209-06M04	29-23	90387-10M42	32- 6	90464-15M27	30-15		27- 4		25-12
90171-16011	16-26	90209-06M05	3-17	90430-08020	15- 8	90464-16039	19-10	90510-08002	5-19		25-50
90179-06M12	29-36	90209-08M02	15-62		41- 6	90465-11M10	15-19	90601-31402	37-17		28-14
90179-16M05	17-20	90209-10M14	15-16	90430-12072	16-21		37-16		37-29		28-16

NUMERICAL INDEX

PART NO.	REF. NO.	PART NO.	REF. NO.	PART NO.	REF. NO.	PART NO.	REF. NO.	PART NO.	REF. NO.	PART NO.	REF. NO.
92990-06200	30-20	92990-08600	29-19	93210-66262	41-13	95380-10600	10-53	97313-08050	29-33	98503-05025	30- 4
92990-06300	33-25		29-29	93306-00702	15-53	95380-12600	25-78	97375-08075	16- 8		35-10
92990-06600	1-21		29-34	93306-305U8	2- 3	95380-14700	32-18	97380-05025	34-11	98580-03015	34-41
	1-28		34-37			95428-31316	39- 8	97395-06010	25-30	98580-04006	34-39
	2-19	92990-10100	16-14			95600-12100	26-51	97395-06012	25-10	98580-04008	4-11
	3- 9	92990-10600	10-41			95670-06640	29-35	97395-06016	5- 5	98580-04010	34-38
	5- 6		12- 8	93315-32224	15- 3	97013-06012	5-41		8- 8	98580-05010	33-33
	5-12		16-15	93317-22204	15-57		5-49		9-26		34-40
	5-28		25-36	93332-000V4	15-39		6-11		15-13	98580-05016	3- 3
	5-35		25-67	93332-00023	15- 6		30-17		23- 6	98580-05530	6-26
	6- 3	92990-12200	12-19	93410-12M08	25-44		30-25		24- 7	98586-05016	7- 7
	6-30		25-76	93410-28M06	10-32	97013-06035	1-27		25-11		22- 7
	8- 9	92990-16200	16-25		25-58		5-27	97395-06018	33-22	98680-04016	1- 9
	9-16	92990-18600	25-47	93430-06M02	5-25	97021-08014	29-28	97395-06020	12-25	98680-05525	12- 7
	9-27	92995-10600	10-51		11-22	97090-08035	10-48	97395-06025	6- 2	98680-05535	16- 5
	13-24	93101-22067	15-58	93430-06024	33-36		25-73	97395-06040	6-29	98780-05012	34-34
	15-14		41-14		34-13	97313-05016	9-12	97395-08025	10-38	98780-05016	34-35
	17-25	93101-23070	15-27	93430-10M00	11- 8	97313-05020	13-31		25-64	98980-03006	4-38
	18- 6		41-12		11-13	97313-06010	9- 8	97395-08030	14-11	99080-05600	11-23
	18-10	93102-23096	17-18	93440-62057	2- 5	97313-06014	1- 7		14-13		11-33
	18-17		28-18	93602-20M02	2-10		18- 5		34-36		11-45
	21-56	93102-25M28	2-15	93604-08062	15-32		18-16	97395-08045	15-34	99530-10014	5-29
	23- 7		40- 9	93606-12019	1- 5		29-37		41-23		
	24- 8	93104-16M04	2-16		14- 2	97313-06016	13-19	97395-08055	15-33		
	25-13		40- 8		14-17		27-19		41-22		
	25-31	93210-04228	4-27		16-12	97313-06018	17-24	97395-08080	14- 3		
	27-24	93210-04230	4-19	93700-06004	10-20	97313-06020	2-18	97395-08085	16-16		
	29-32		40-28		25-28		3- 8	97395-10040	16-13		
	29-38	93210-08287	7-15	94701-00217	1-29		5-22	97395-10060	10-40		
	29-45		7-17	95303-05700	13-34		9-15		25-66		
	30-22		22-15	95303-06600	5-23		13-23	97780-40116	37-18		
	30-26		22-17		13-11		18- 9		37-30		
	39-11	93210-13595	20- 4		27-11		27-23	97780-60120	39-10		
92990-08100	10-49		21- 4	95380-03600	4-39	97313-06025	1-20	97780-60516	39- 2		
	14-14	93210-16275	32-10		6-22		5-34	97880-05016	12-13		
	16- 9	93210-19M82	20- 8	95380-05600	13- 7		13- 9	97895-06008	10- 4		
	16-17		21- 8		20-21		27- 9		25- 5		
	25-74	93210-29M94	10-29		21-21		30-21	97895-06035	29-25		
92990-08600	5-32		25-52		27- 7	97313-06030	5-11	97895-06040	3-15		
	5-39	93210-37M25	6- 8		34-10		9-24		29-24		
	10-17		40-15		36-16		20-37	97895-06055	3-16		
	10-39	93210-41042	15-28	95380-06600	5-13		29-31	97980-04114	4- 4		
	14- 4		41-11		29-44	97313-06050	20-38		40-27		
	14-12	93210-49046	15-11		33-46	97313-06095	3-12	97980-05310	4-40		
	16-10		41- 7		34-43	97313-08016	29-18	97985-05210	17-23		
	16-18	93210-57M09	2-17	95380-08600	6-12	97313-08020	5-38	98303-04008	36-13		
	25-65		40-10		10-18	97313-08030	5-31	98501-05012	17-10		
	29-17	93210-66M98	15-56		16-11		29-16		28-10		



YAMAHA

Marine

Outboards

 **40H'90(6H4)**

PARTS CATALOGUE

YAMAHA MOTOR CO.,LTD.

206H4-700E1 ●

A1

FOREWORD

This Parts Catalogue is related to the parts in use for the Yamaha outboard motor 40H '90 (6H4). When you are ordering replacement parts for the 40H '90 (6H4), refer to this Parts Catalogue and quote both part numbers and part names correctly.

1. Modifications or additions which have been made after issue of the Parts Catalogue will be announced in the Yamaha Parts News.
It is advisable that according to the Yamaha Parts News you make necessary corrections to the Parts Catalogue on hand to keep it up-to-date.

2. Abbreviations

The following abbreviations are used in this Parts Catalogue.

- UR Use size (thickness) and/or number as required.
- UN Use as many as you need.
- AP Alternate Parts
- STD Standard
- O/S Over Size

3. Parts, which are to be supplied in the form of assemblies, are listed with an indentation of one letter's space, and a dot (.) is put against the name of each part.

EXAMPLE

CARBURETOR ASS'Y
 . JET, pilot
 . NOZZLE, main

4. Indication of No. of constituent parts for assembly.

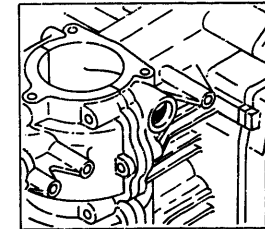
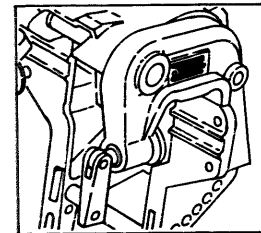
The numeral appearing to the right of each constituent part under the description indicates the quantity of such parts for each individual assembly unit.

EXAMPLE

Part No.	Description	Q'ty	Remarks
6E0-85500-70	C.D.I. MAGNETO ASS'Y	1	
6E0-85550-70	. ROTOR ASS'Y	1	
6E0-15723-00-94	. . PULLEY, starter	1	

5. Initial Serial No. and Color Code

Engine Serial No.	40HM	40HEO	40HEPO	40HMO
	S:003420 and following L:303729 and following	S:103693 and following L:419146 and following	S:250634 and following L:559413 and following	S:183517 and following L:482676 and following



Color Code	Color Name	Abbreviate
EK	METALLIC MARINE SILVER	MMS

CONTENTS

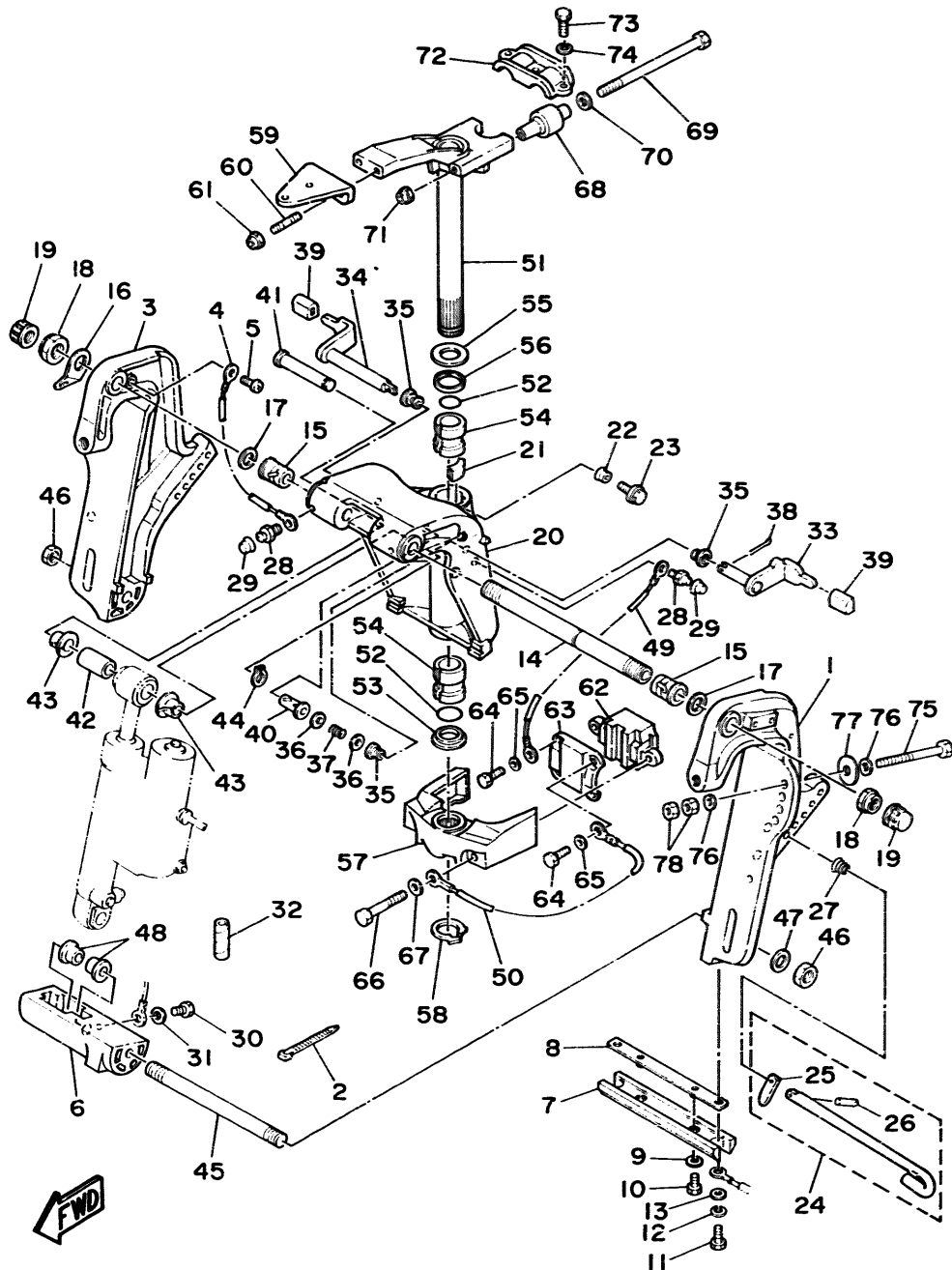
Sheet 1/2 (Fig. 1 to Fig. 24)

FIG. 1	CYLINDER. CRANKCASE	A4, A5
FIG. 2	CRANKSHAFT. PISTON	A6
FIG. 3	INTAKE	A7
FIG. 4	CARBURETOR	B1, B2
FIG. 5	STARTER	B3 ~ B5
FIG. 6	FUEL 1	B6, B7
FIG. 7	FUEL 2	C1
FIG. 8	TOP COWLING	C2
FIG. 9	BOTTOM COWLING	C3, C4
FIG. 10	BRACKET 1	C5, C6
FIG. 11	BRACKET 2	C7, D1
FIG. 12	STEERING	D2
FIG. 13	CONTROL	D3, D4
FIG. 14	UPPER CASING	D5
FIG. 15	LOWER CASING. DRIVE 1	D6 ~ E1
FIG. 16	LOWER CASING. DRIVE 2	E2, E3
FIG. 17	MAGNETO	E4
FIG. 18	ELECTRICAL	E5
FIG. 19	ALTERNATE 1 (40MO/40EO/40EPO MODEL)	E6
FIG. 20	ALTERNATE 2 (40MO MODEL)	E7, F1
FIG. 21	ALTERNATE 3 (40EO/40EPO MODEL)	F2 ~ F4
FIG. 22	ALTERNATE 4 (40MO/40EO 40EPO MODEL)	F5
FIG. 23	ALTERNATE 5 (40MO MODEL)	F6
FIG. 24	ALTERNATE 6 (40EO/40EPO MODEL)	F7
	NUMERICAL INDEX	

Sheet 2/2 (Fig. 25 to Fig. 41)

FIG. 25	ALTERNATE 7 (40EPO MODEL)	A4 ~ A6
FIG. 26	ALTERNATE 8 (40EPO MODEL)	A7, B1
FIG. 27	ALTERNATE 9 (40EO/40EPO MODEL)	B2, B3
FIG. 28	ALTERNATE 10 (40EO/40EPO MODEL)	B4
FIG. 29	ALTERNATE 11 (40EO/40EPO MODEL)	B5, B6
FIG. 30	ALTERNATE 12 (40EO/40EPO MODEL)	B7, C1
FIG. 31	REMOTE CONTROL	C2, C3
FIG. 32	STEERING GUIDE ATTACHMENT	C4
FIG. 33	REMOTE CONTROL ASSY 1	C5, C6
FIG. 34	REMOTE CONTROL ASSY 2	C7 ~ D2
FIG. 35	OPTIONAL PARTS 1	D3
FIG. 36	OPTIONAL PARTS 2	D4
FIG. 37	OPTIONAL PARTS 3	D5, D6
FIG. 38	OPTIONAL PARTS 4	D7
FIG. 39	OPTIONAL PARTS 5	E1
FIG. 40	REPAIR KIT 1	E2, E3
FIG. 41	REPAIR KIT 2	E4, E5
	NUMERICAL INDEX	

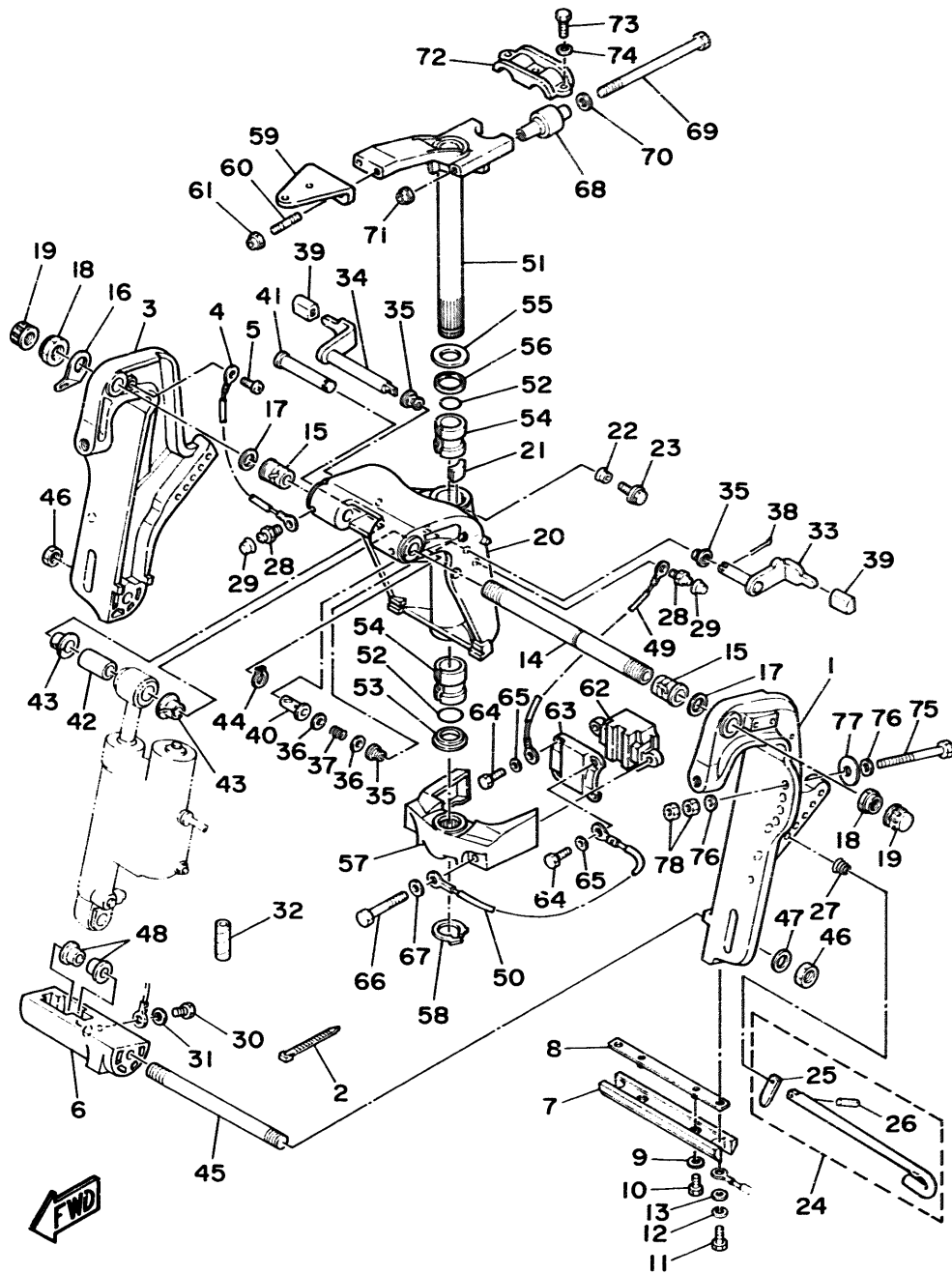
FIG. 25 ALTERNATE 7 (40EPO MODEL)



REF. NO.	PART NO.	DESCRIPTION	Q'TY	REMARKS
1	6H5-43111-02-EK	BRACKET, clamp	1	
2	90465-13M11	CLAMP	1	
3	6H5-43112-03-EK	BRACKET, clamp	1	
4	6E5-82148-00	WIRE, lead 4	1	
5	97895-06008	SCREW, pan head	1	
6	6H5-43128-00-EK	SPACER, clamp bracket	1	
7	6H1-45251-02	ANODE	1	
8	6H1-44526-00	PLATE	1	
9	90201-06M31	WASHER, plate	2	
10	97395-06012	BOLT	2	
11	97395-06016	BOLT	2	
12	92990-06100	WASHER, spring	2	
13	92990-06600	WASHER, plate	2	
14	6J8-43131-01	BOLT, clamp bracket	1	
15	90386-22M15	BUSH	2	
16	6J8-43113-01	PLATE, clamp bracket	1	
17	90201-22428	WASHER, plate	2	
18	90185-22043	NUT, self-locking	2	
19	663-43145-00	CAP, clamp bracket	2	
20	6H5-43311-03-EK	BRACKET, swivel	1	
21	6J8-42528-00	PLATE, friction	1	
22	689-43373-01	SEAL, damper	1	
23	90105-06M18	BOLT, washer based	1	
24	676-43160-02	TILT ROD ASSY	1	
25	676-43165-00	PLATE, tilt lock	1	
26	91690-30012	PIN, spring	1	
27	90502-10M04	SPRING, conical	1	
28	93700-06004	NIPPLE, grease	3	

A4

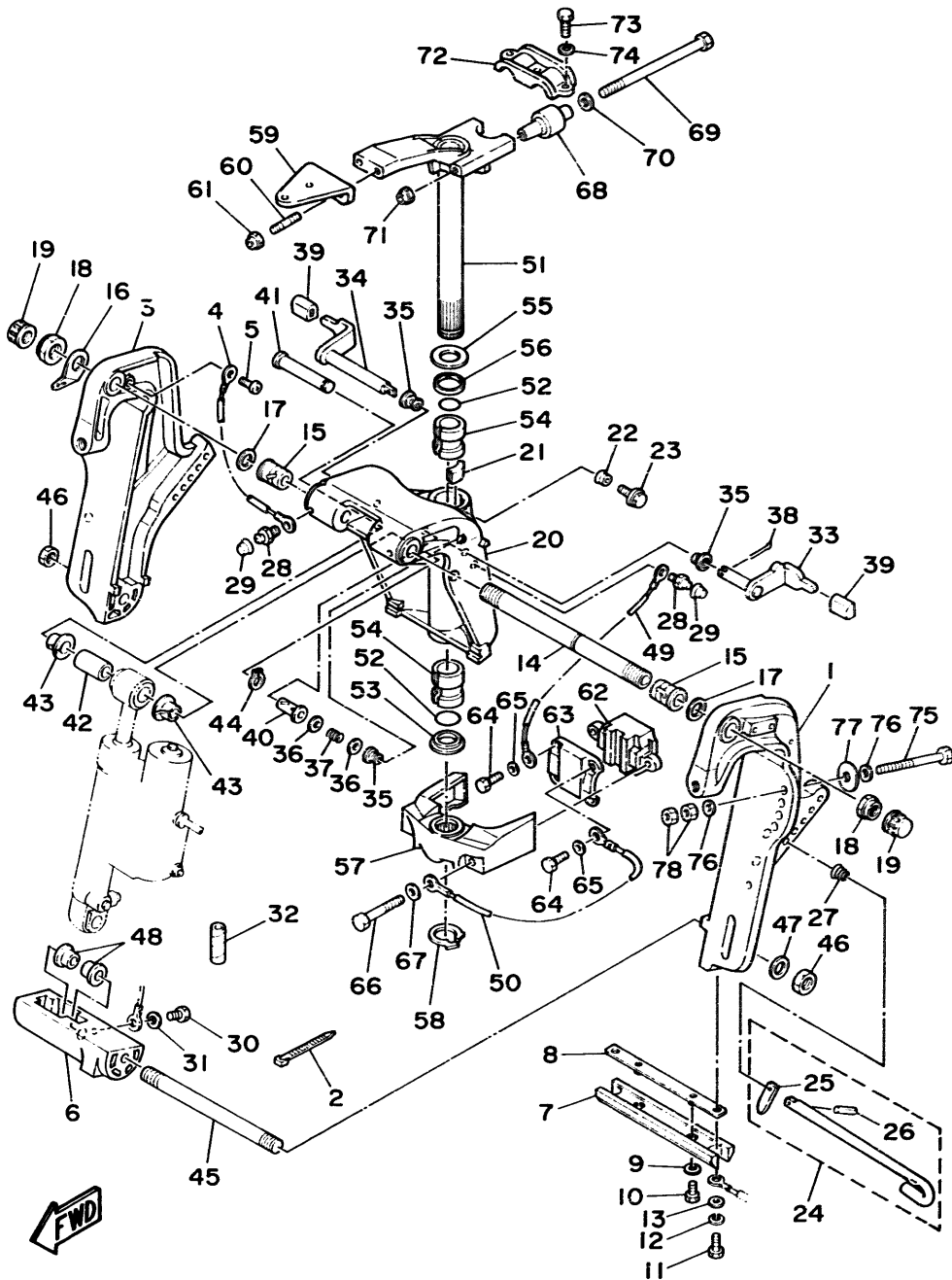
FIG. 25 ALTERNATE 7 (40EPO MODEL)



REF. NO.	PART NO.	DESCRIPTION	Q'TY	REMARKS
29	663-45119-00	CAP, grease nipple	3	
30	97395-06010	BOLT	1	
31	92990-06600	WASHER, plate	1	
32	90446-10M01	HOSE	2	
33	6H5-43181-01	LEVER, tilt stop	1	
34	6H5-43185-01	LEVER, tilt stop	1	
35	90386-10M16	BUSH	3	
36	92990-10600	WASHER, plate	2	
37	90501-10M21	SPRING, compression	1	
38	91490-30030	PIN, cotter	1	
39	663-43318-00	COVER	2	
40	90386-10M19	BUSH	1	
41	6H5-43126-02	PIN, upper shock mount	1	
42	90386-12M65	BUSH	1	
43	90386-12M64	BUSH	2	
44	93410-12M08	CIRCLIP	1	
45	90116-18M21	BOLT, stud	1	
46	90170-18M10	NUT	2	
47	92990-18600	WASHER	1	
48	90386-18M44	BUSH	2	
49	6H5-82127-00	WIRE, lead 2	1	
50	6H5-82149-00	WIRE, lead 3	1	
51	6H4-42510-01-EK	STEERING BRACKET ASSY	1	
52	93210-29M94	O-RING	2	
53	90386-30M60	BUSH	1	
54	90386-30M77	BUSH	2	
55	90201-30M00	WASHER, plate	1	
56	90386-30M78	BUSH	1	

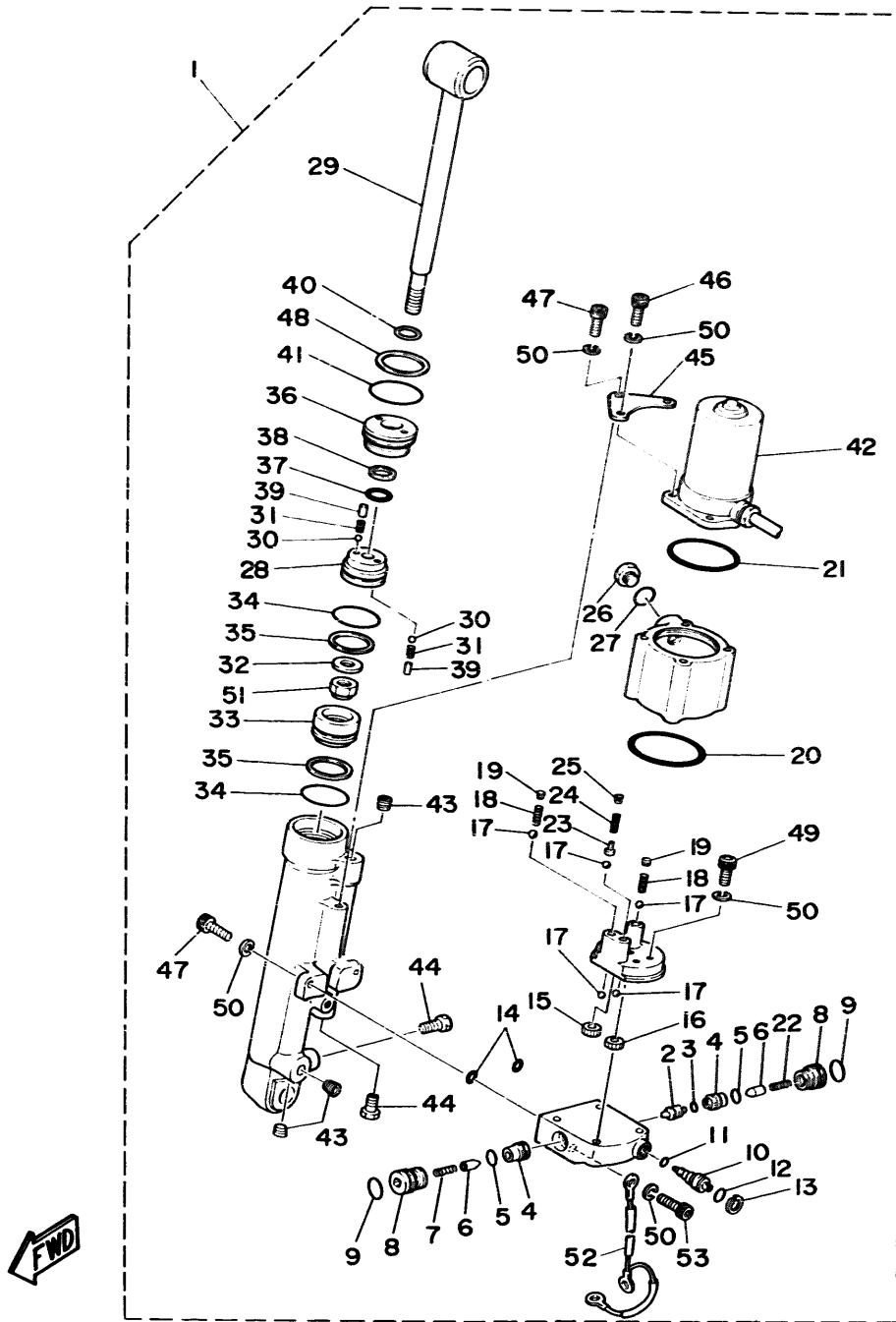
A5

FIG. 25 ALTERNATE 7 (40EPO MODEL)



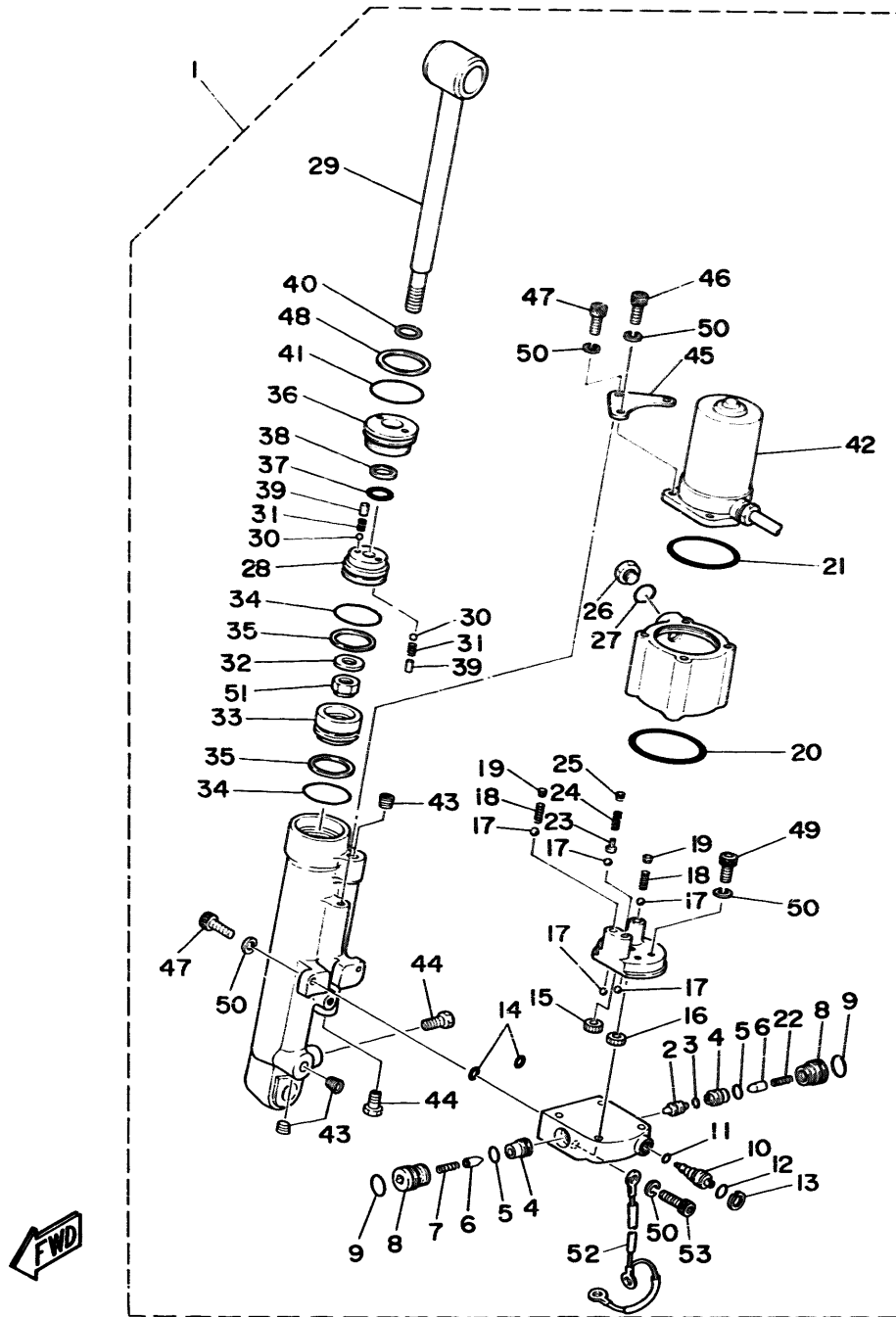
REF. NO.	PART NO.	DESCRIPTION	Q'TY	REMARKS
57	6H4-44551-01-EK	HOUSING, lower mount rubber	1	
58	93410-28M06	CIRCLIP	1	
59	6H4-48511-50-EK	HOOK, steering	1	
60	90116-10175	BOLT, stud	2	
61	90185-10051	NUT, self-locking	2	
62	6H4-44557-00	MOUNT DAMPER, lower front	1	UR SHORT
	6H4-44557-10	MOUNT DAMPER, lower front	1	UR LONG
63	6H4-44553-01	COVER, lower mount	1	
64	97395-08025	BOLT	4	
65	92990-08600	WASHER, plate	4	
66	97395-10060	BOLT	2	
67	92990-10600	WASHER, plate	2	
68	6H4-44514-00	MOUNT DAMPER, upper side	2	
69	90101-08M86	BOLT	2	
70	90201-09425	WASHER, plate	2	
71	90185-08045	NUT, self-locking	2	
72	6H4-44511-00-EK	COVER, upper mount	1	
73	97090-08035	BOLT	3	
74	92990-08100	WASHER, spring	3	
75	90101-12M65	BOLT	4	
76	92990-12200	WASHER, plain	8	
77	90201-12426	WASHER, plate	4	
78	95380-12600	NUT	8	

FIG. 26 ALTERNATE 8 (40EPO MODEL)



REF. NO.	PART NO.	DESCRIPTION	Q'TY	REMARKS
1	6H5-43840-02-EK	POWER TILT ASSY	1	
2	6H5-43841-00	.PISTON, shuttle	1	
3	6H5-43861-00	.O-RING	1	
4	6H5-43891-00	.BRUSH	2	
5	6H5-43862-00	.O-RING	2	
6	6H5-43849-00	.PIN, valve support	2	
7	6H5-43853-00	.SPRING, main valve	1	
8	6H5-4382E-00	.ADAPTOR 2	2	
9	6H5-43863-00	.O-RING	2	
10	6H5-43846-02	.SCREW, manual valve seat	1	
11	6H5-43864-00	.O-RING	1	
12	6H5-43865-00	.O-RING	1	
13	6H5-43875-00	.RING, snap	1	
14	6H5-43866-00	.O-RING	2	
15	6H5-43837-00	.GEAR, driven	1	
16	6H5-43836-00	.GEAR, drive	1	
17	6H5-43858-10	.BALL	5	
18	6H5-43856-00	.SPRING, down relief	2	
19	6H5-43844-00	.PIN, valve support	2	
20	6H5-43867-00	.O-RING	1	
21	6H5-43868-00	.O-RING	1	
22	6H5-43853-10	.SPRING, main valve	1	
23	6H5-43859-00	.PIN, valve support	6	
24	6H5-43855-01	.SPRING, up relief	1	
25	6H5-4386F-00	.RING, straight	1	
26	6H5-43829-00	.PLUG, reservoir	1	
27	6H5-43865-00	.O-RING	1	
28	6H5-4385A-00	.PISTON, tilt	1	

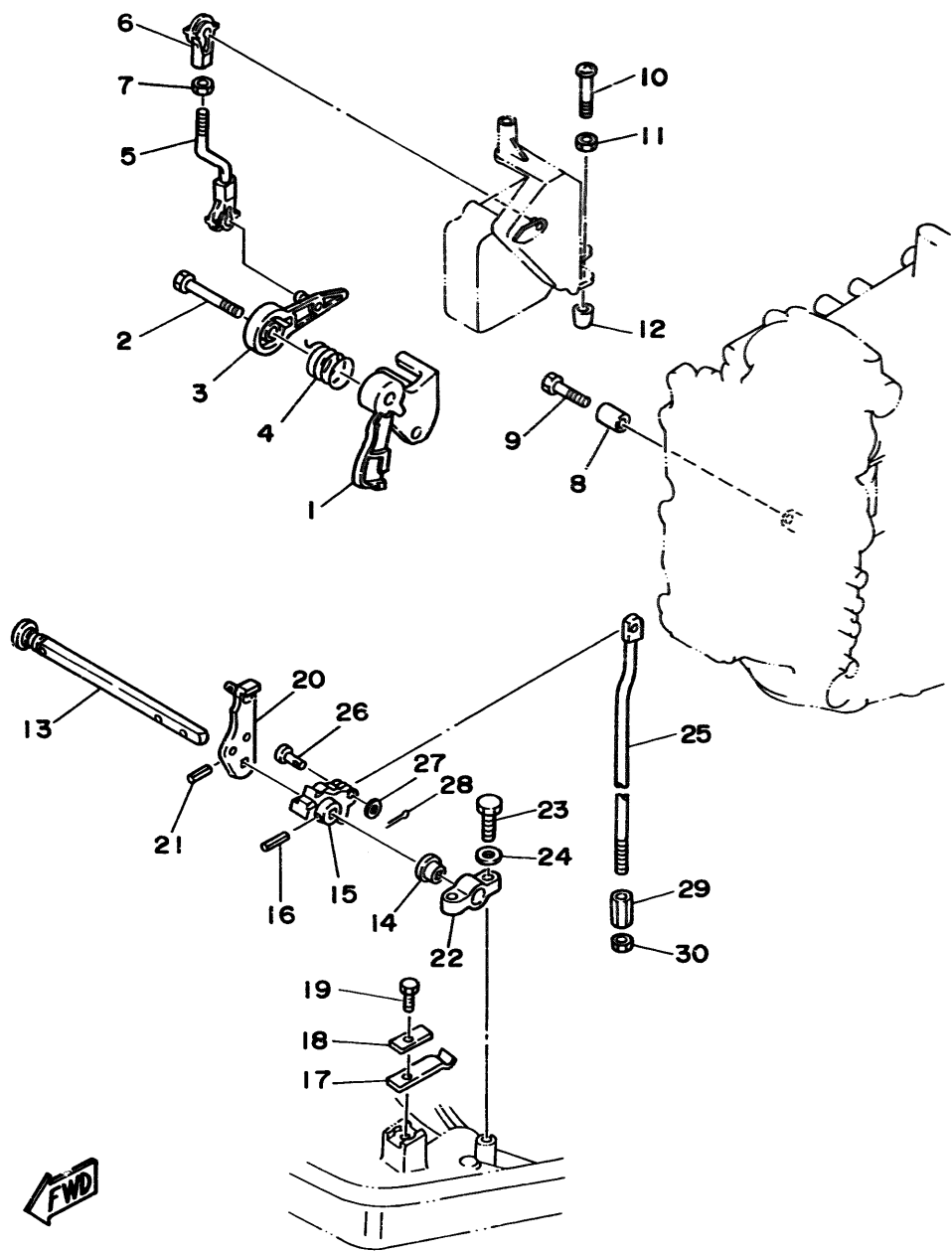
FIG. 26 ALTERNATE 8 (40EPO MODEL)



REF. NO.	PART NO.	DESCRIPTION	Q'TY	REMARKS
29	6H5-43801-00	.ROD	1	
30	6H5-43858-00	.BALL	5	
31	6H5-43857-00	.SPRING, absorber valve	5	
32	6H5-43893-00	.WASHER	1	
33	6H5-43814-00	.PISTON, free	1	
34	6H5-43883-00	.O-RING	2	
35	6H5-43871-00	.RING, back up	2	
36	6H5-4381E-00	.BRACKET	1	
37	6H5-43896-00	.O-RING	1	
38	6H5-43873-00	.RING, back up	1	
39	6H5-4381A-00	.SHAFT	5	
40	6H5-43812-00	.SEAL, dust	1	
41	6H5-43897-00	.O-RING	1	
42	6H5-43880-00	.MOTOR ASSY	1	
43	6H5-43826-00	.PLUG, taper screw	3	
44	6H5-43811-00	.SCREW, cylinder end	2	
45	6H5-4381F-00	.BRACKET	1	
46	6H5-43887-00	.BOLT, through	4	
47	6H5-43886-00	.BOLT	3	
48	6H5-43872-00	.RING, back up	3	
49	91316-06020	.BOLT	4	
50	92990-06100	.WASHER, spring	12	
51	95600-12100	.NUT, u	1	
52	6G1-82127-00	.WIRE, lead 2	1	
53	6H5-4388A-00	.BOLT	1	

B1

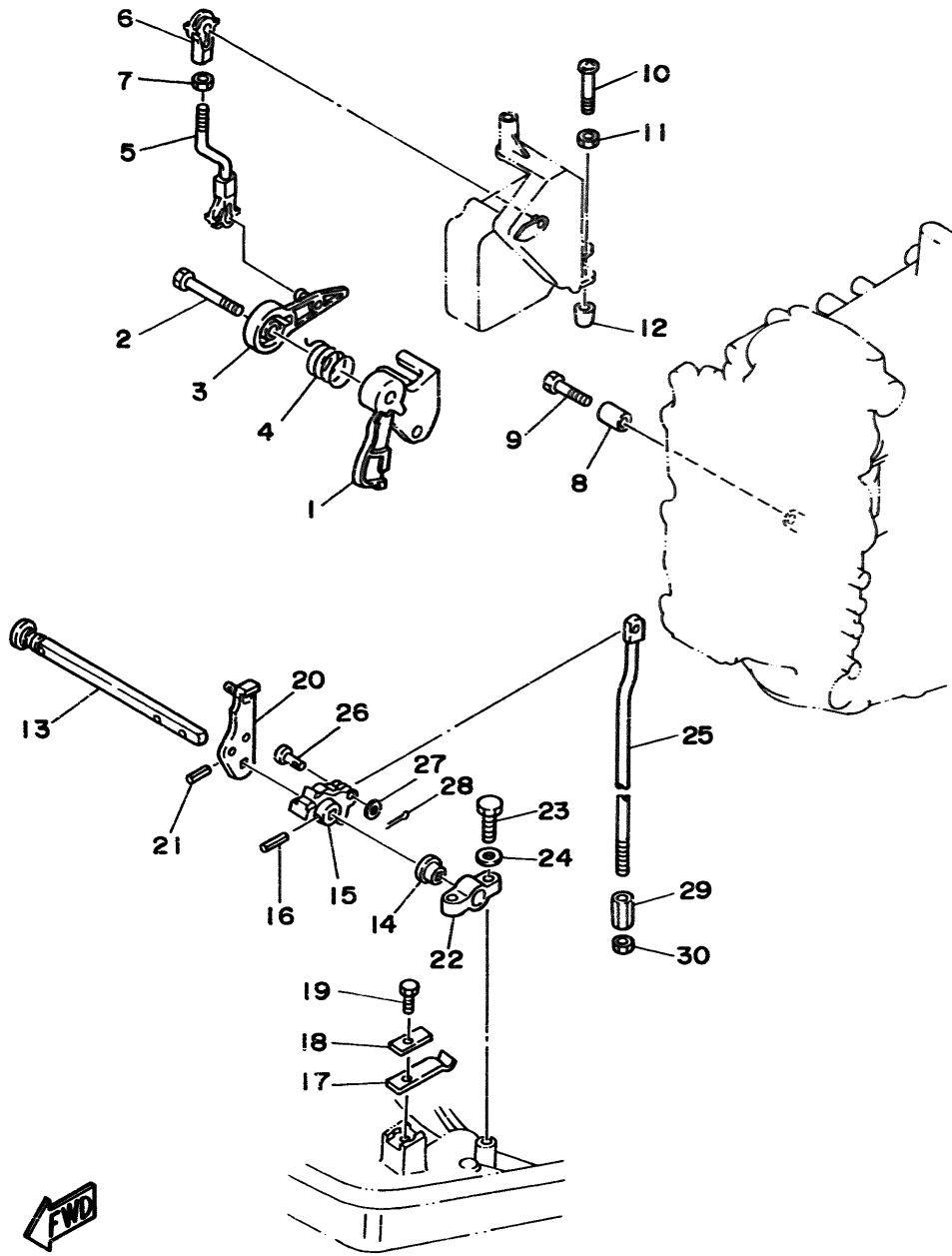
FIG. 27 ALTERNATE 9 (40EO/40EPO MODEL)



REF. NO.	PART NO.	DESCRIPTION	Q'TY	REMARKS
1	6H4-41213-04	CAM, accel.	1	
2	90109-06M43	BOLT	1	
3	6H4-41632-01	LEVER, magneto control	1	
4	90508-26M20	SPRING, torsion	1	
5	6G5-41636-01	ROD, magneto control	1	
6	6H4-41237-00	JOINT, link	1	
7	95380-05600	NUT	1	
8	90387-06M19	COLLAR	1	
9	97313-06025	BOLT	1	
10	90157-06M00	SCREW, pan head	2	
11	95303-06600	NUT	2	
12	688-44194-00	CAP	2	
13	6H4-44111-10	HANDLE, gear shift	1	
14	682-44132-00	BUSHING	1	
15	6H4-44121-01	LEVER, shift rod	1	
16	91690-30318	PIN, spring	1	
17	6H4-44116-00	SPRING	1	
18	682-44117-00	BRACKET	1	
19	97313-06016	BOLT	1	
20	6H4-44125-01	LEVER, shift rod	1	
21	91690-30316	PIN, spring	1	
22	6F5-41662-00	BRACKET	1	
23	97313-06020	BOLT	2	
24	92990-06600	WASHER, plate	2	
25	6H4-44143-00	ROD, shift	1	
26	91790-05020	PIN, clevis	1	
27	92990-05600	WASHER, plate	1	
28	91490-16010	PIN, cotter	1	

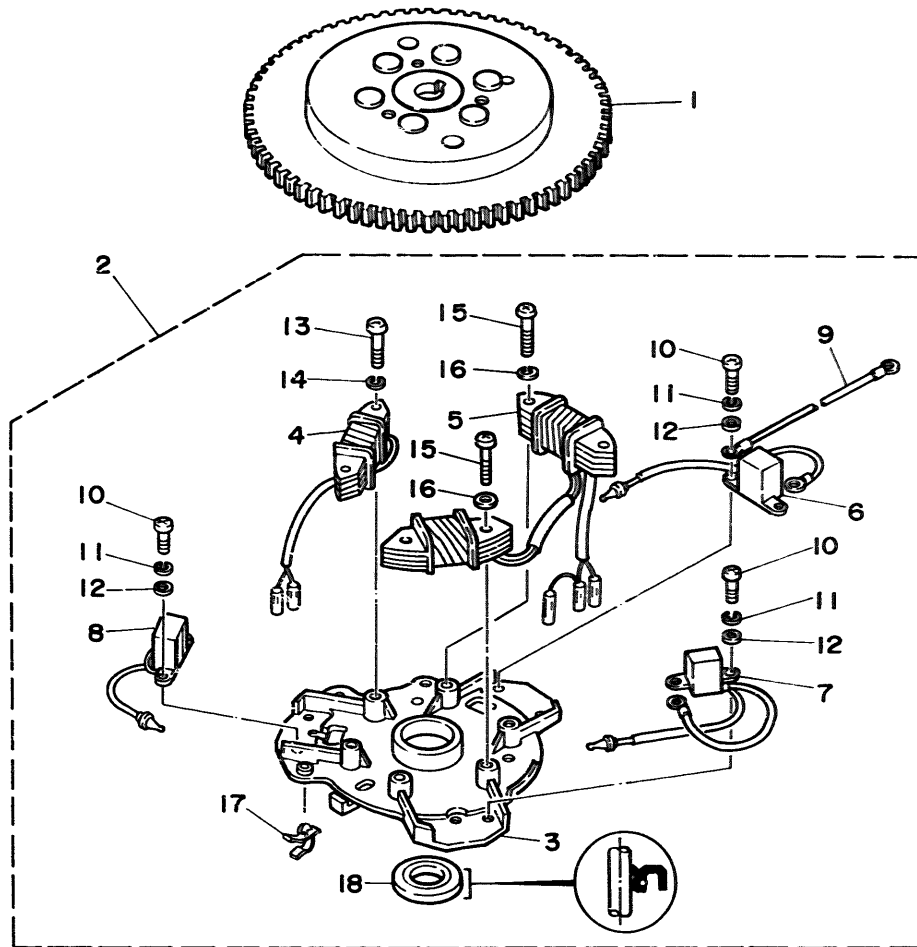
B2

FIG. 27 ALTERNATE 9 (40EO/40EPO MODEL)



REF. NO.	PART NO.	DESCRIPTION	Q'TY	REMARKS
29	648-44146-00	CONNECTOR, shift rod	1	
30	90170-07021	NUT	1	

FIG. 28 ALTERNATE 10 (40E0/40EPO MODEL)



REF. NO.	PART NO.	DESCRIPTION	Q'TY	REMARKS
1	6H5-85550-00	ROTOR ASSY	1	
2	6H5-85560-01	BASE ASSY	1	
3	6H4-15359-03-94	.HOUSING, oil seal	1	
4	6H5-85520-00	.COIL, charge	1	
5	6H5-85533-00	.COIL, lighting	1	
6	6H5-85580-01	.COIL, pulser	1	
7	6H5-85580-10	.COIL, pulser	1	
8	6H5-85580-20	.COIL, pulser	1	
9	6H5-83354-00	.WIRE, earth lead 1	1	
10	98501-05012	.SCREW, pan head	6	
11	92901-05100	.WASHER, spring	6	
12	92901-05600	.WASHER, plate	6	
13	92501-06025	.SCREW, pan head	2	
14	92990-06100	.WASHER, spring	2	
15	92501-06030	.SCREW, pan head	4	
16	92990-06100	.WASHER, spring	4	
17	90464-03M15	.CLAMP	2	
18	93102-23096	.OIL SEAL	1	

FWD

B4

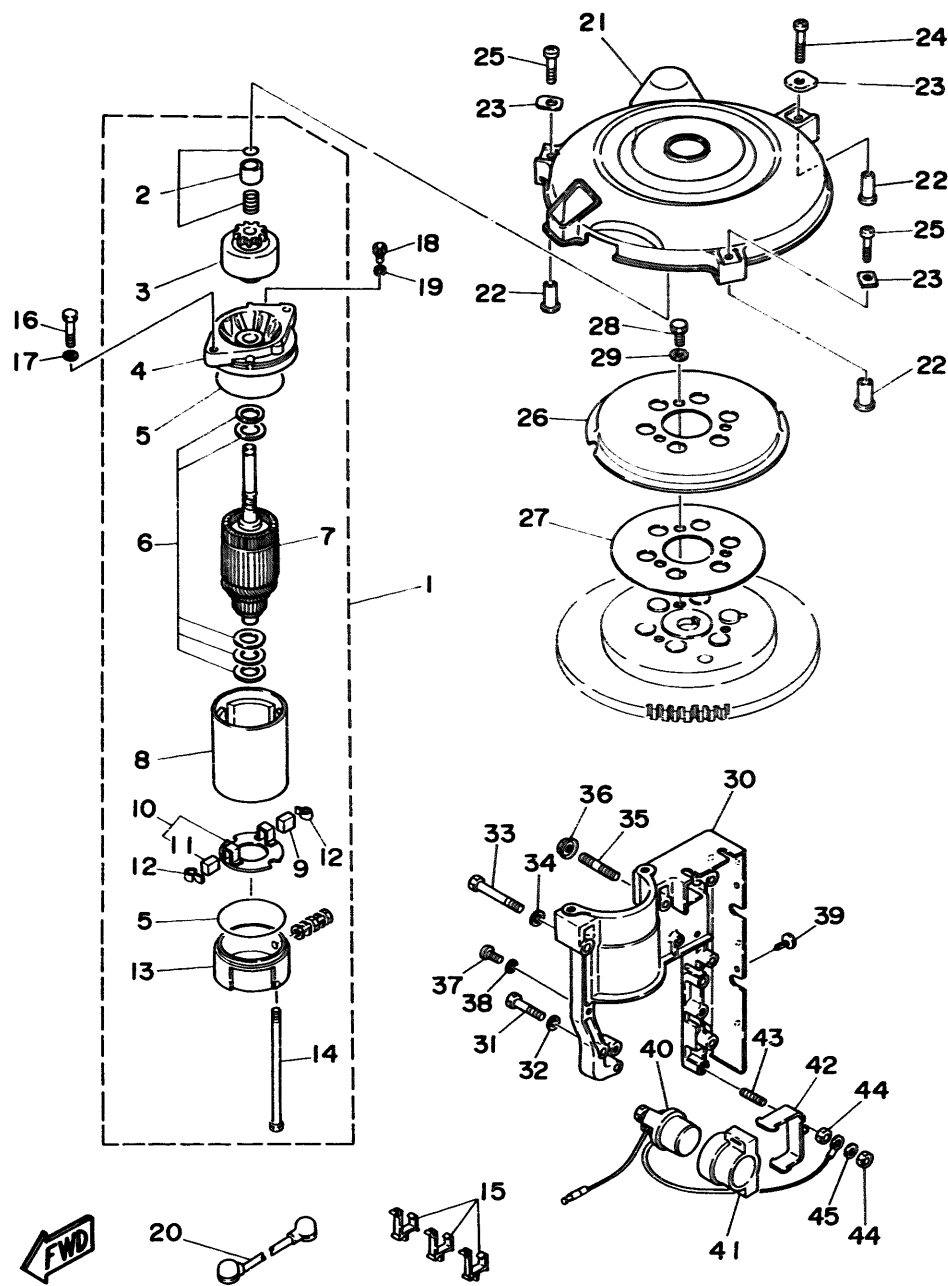


FIG. 29 ALTERNATE 11 (40EO/40EPO MODEL)

REF. NO.	PART NO.	DESCRIPTION	Q'TY	REMARKS
1	6F5-81800-10	STARTING MOTOR ASSY	1	
2	689-81857-11	.RETAINER	1	
3	689-81807-12	.GEAR ASSY, starting motor	1	
4	6F5-81830-11	.FRONT BRACKET ASSY	1	
5	689-81847-11	.O-RING	2	
6	689-81809-11	.WASHER KIT	1	
7	689-81850-11	.ARMATURE ASSY	1	
8	689-81810-11	.STATOR ASSY	1	
9	689-81811-11	.BRUSH 1	1	
10	689-81840-11	.BRUSH HOLDER ASSY	1	
11	689-81812-11	..BRUSH 2	1	
12	689-81813-10	.SPRING, brush	2	
13	689-81820-11	.REAR BRACKET ASSY	1	
14	689-81826-10	.BOLT	2	
15	90464-09M13	CLAMP	3	
16	97313-08030	BOLT	2	
17	92990-08600	WASHER, plate	2	
18	97313-08016	BOLT	1	
19	92990-08600	WASHER, plate	1	
20	6H4-82117-00	WIRE, lead	1	
21	6H4-81337-01	COVER, flywheel	1	
22	90387-06M65	COLLAR	3	
23	90209-06M04	WASHER	3	
24	97895-06040	SCREW, pan head	1	
25	97895-06035	SCREW, pan head	2	
26	6J8-15723-E1	PULLEY, starter	1	
27	6J8-81365-00	GASKET, hole cover	1	
28	97021-08014	BOLT	3	

B5

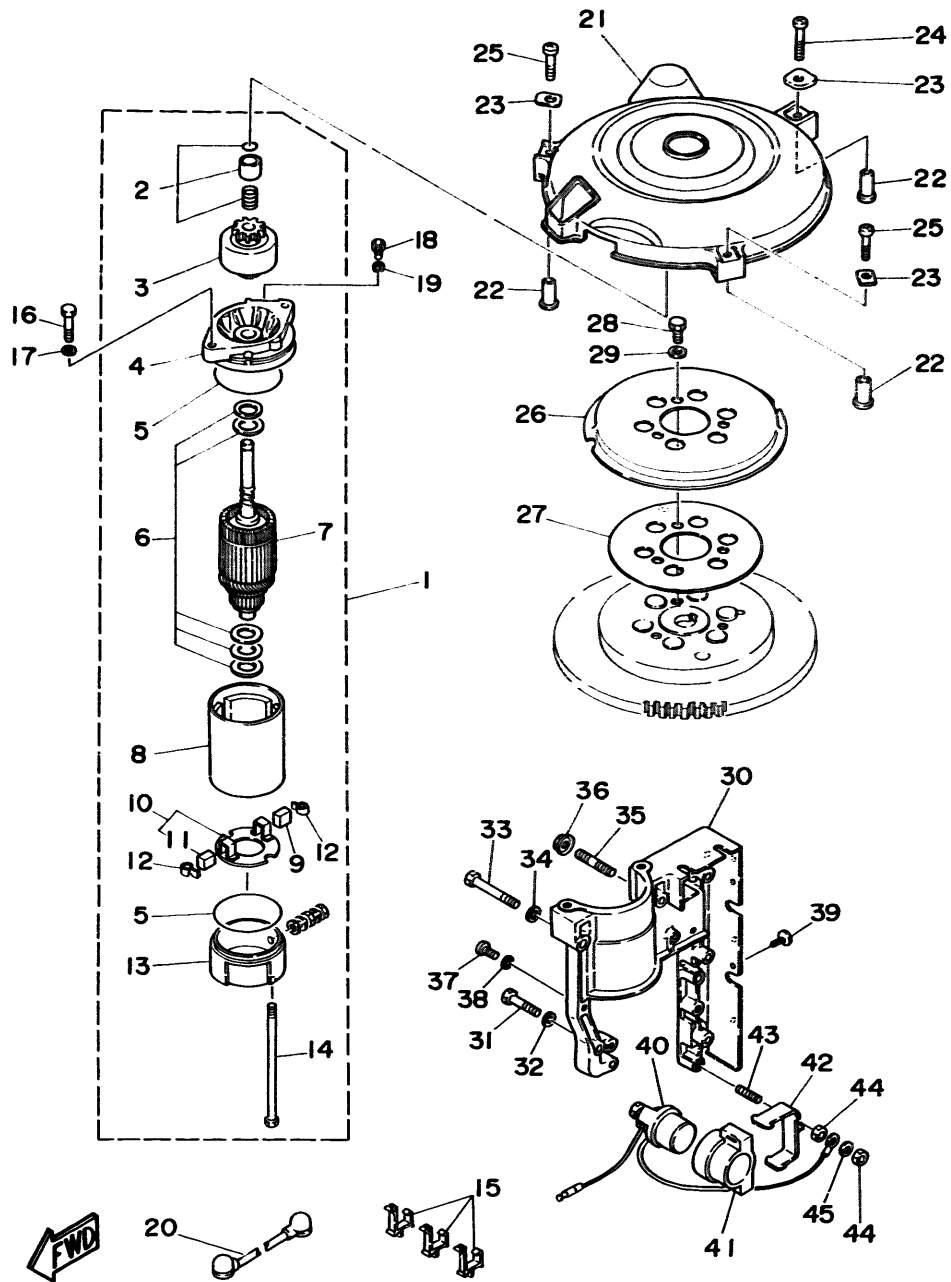


FIG. 29 ALTERNATE 11 (40EO/40EPO MODEL)

REF. NO.	PART NO.	DESCRIPTION	Q'TY	REMARKS
29	92990-08600	WASHER, plate	3	
30	6H4-81822-00-94	BRACKET, starting motor	1	
31	97313-06030	BOLT	4	
32	92990-06600	WASHER, plate	4	
33	97313-08050	BOLT	1	
34	92990-08600	WASHER, plate	1	
35	95670-06640	BOLT, stud	1	
36	90179-06M12	NUT	1	
37	97313-06014	BOLT	2	
38	92990-06600	WASHER, plate	2	
39	90338-05M11	PLUG	1	
40	6G1-81941-10	STARTER RELAY ASSY	1	
41	6H4-81952-00	HOLDER, relay	1	
42	6H4-81945-00	PLATE, switch fitting	1	
43	90116-06M22	BOLT, stud	1	
44	95380-06600	NUT	2	
45	92990-06600	WASHER, plate	1	

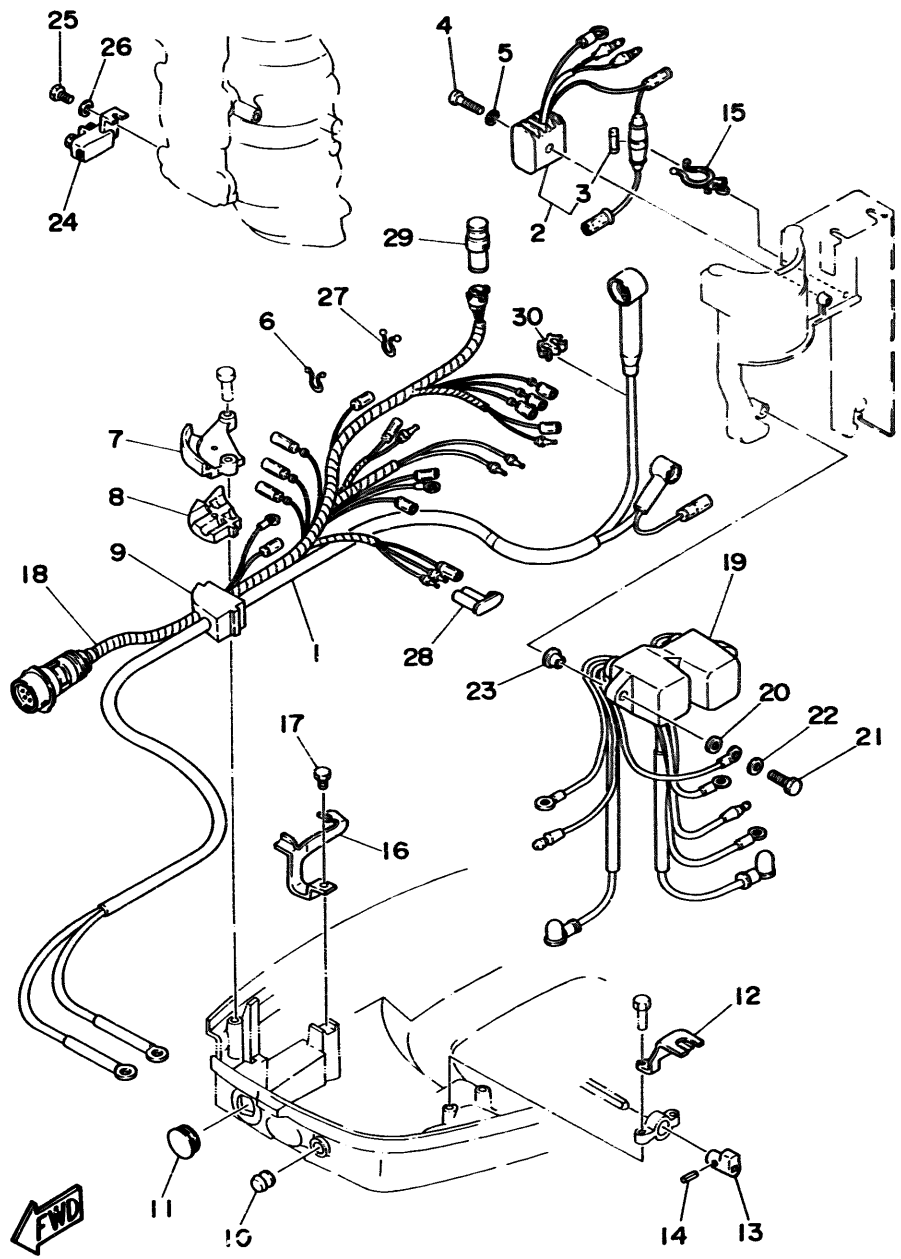
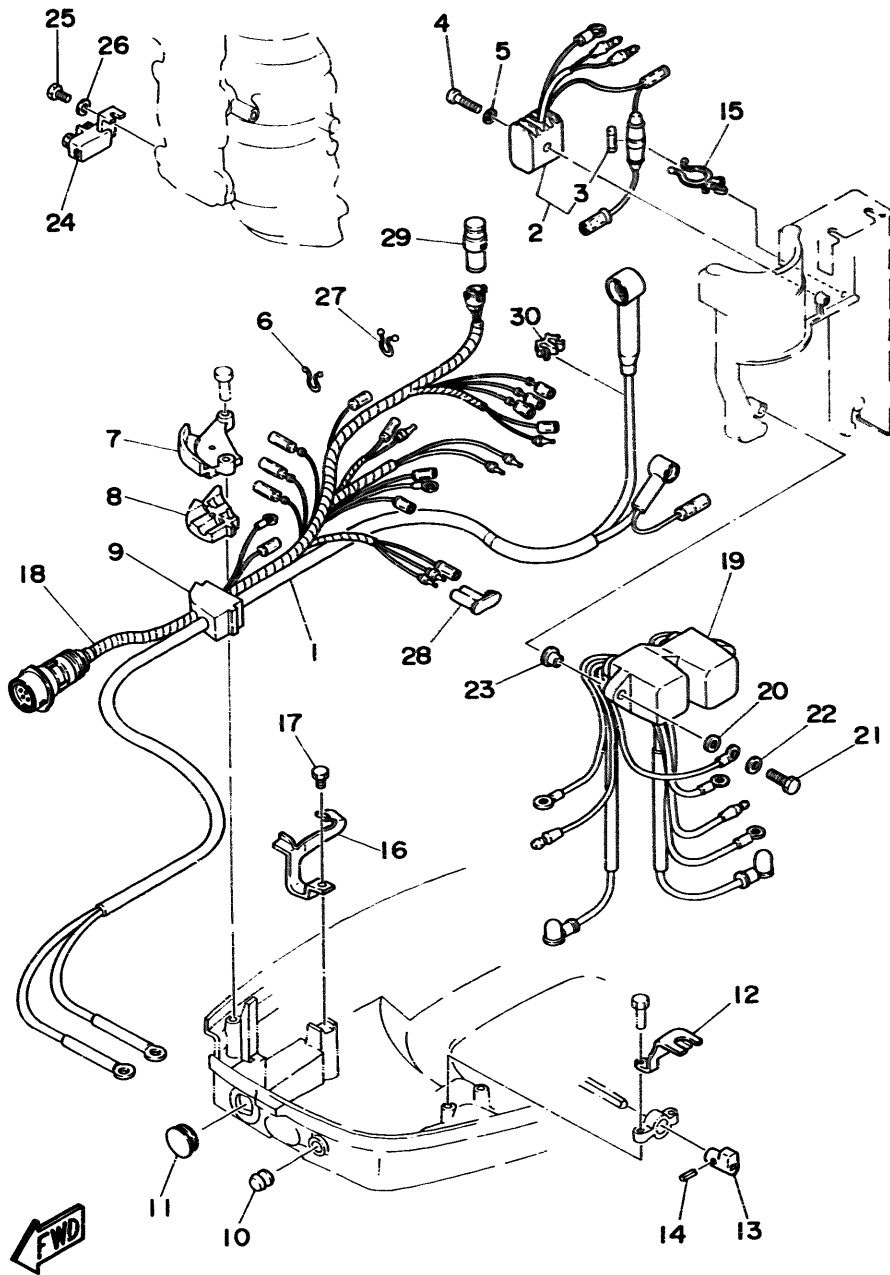


FIG. 30 ALTERNATE 12 (40EO/40EPO MODEL)

REF. NO.	PART NO.	DESCRIPTION	Q'TY	REMARKS
1	6H4-82105-01	WIRE HARNESS	1	
2	6G1-81970-61	RECTIFIER ASSY	1	
3	6G1-82151-00	.FUSE	1	
4	98503-05025	SCREW, pan head	1	
5	92990-05600	WASHER, plate	1	
6	90465-18147	CLAMP	1	
7	6H4-48531-10-94	BRACKET, remote control 1	1	
8	6H4-48532-10-94	BRACKET, remote control 2	1	
9	6H4-42724-20	GROMMET	1	
10	6H4-42725-00	GROMMET	1	
11	676-42726-00	GROMMET	1	
12	6H4-82554-00	STAY, neutral switch	1	
13	6H4-44173-01	LEVER, shift control	1	
14	91690-30020	PIN, spring	1	
15	90464-15M27	CLAMP	1	
16	6H4-82588-00	PLATE	1	
17	97013-06012	BOLT	1	
18	6H4-82590-22	WIRE HARNESS ASSY	1	UR 40EPO MODEL
	6H4-82590-11	WIRE HARNESS ASSY	1	UR 40EO MODEL
19	6H5-81950-00	RELAY ASSY	1	40EPO MODEL
20	92990-06200	WASHER, plain	2	40EPO MODEL
21	97313-06025	BOLT	2	40EPO MODEL
22	92990-06600	WASHER, plate	2	40EPO MODEL
23	90387-06M05	COLLAR	2	40EPO MODEL
24	6H5-81920-00	TERMINAL ASSY	1	40EPO MODEL
25	97013-06012	BOLT	1	40EPO MODEL
26	92990-06600	WASHER, plate	1	40EPO MODEL
27	90465-18147	CLAMP	1	40EPO MODEL

B7

FIG. 30 ALTERNATE 12 (40EO/40EPO MODEL)



REF. NO.	PART NO.	DESCRIPTION	Q'TY	REMARKS
28	6E5-82582-00	COVER, wire harness	1	40EPO MODEL
29	6H4-82582-00	COVER, wire harness	1	40EPO MODEL
30	90464-07M20	CLAMP	1	40EPO MODEL

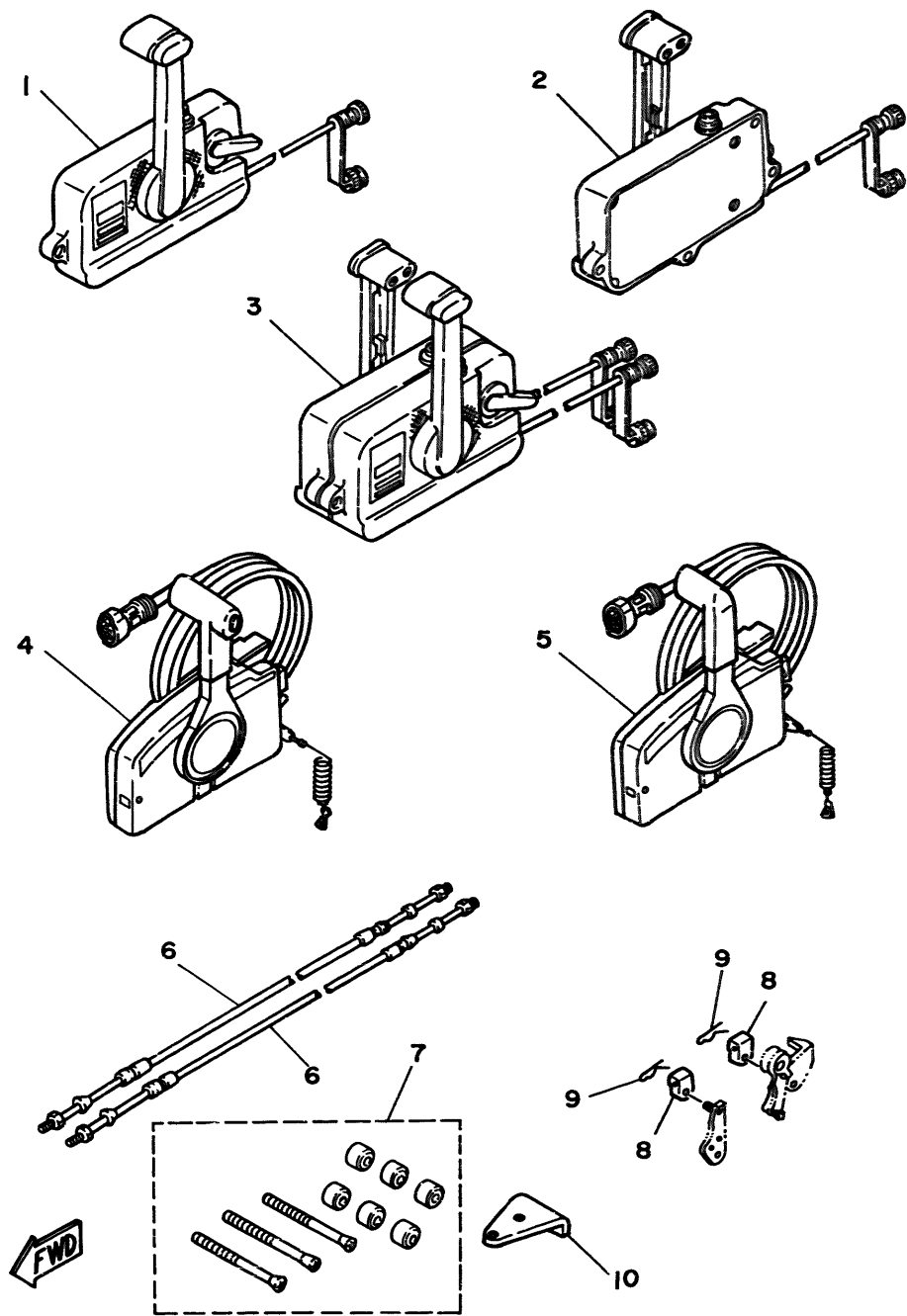


FIG. 31 REMOTE CONTROL

REF. NO.	PART NO.	DESCRIPTION	Q'TY	REMARKS
* 1	701-48101-10	REMOTE CONTROL ASSY	1	UR RIGHT
* 2	701-48102-10	REMOTE CONTROL ASSY	1	UR LEFT
* 3	701-48110-22	REMOTE CONTROL ASSY	1	UR TWIN
* 4	703-48210-12	REMOTE CONTROL ASSY	1	UR SINGLE (10P)
*	703-48230-11	REMOTE CONTROL ASSY	1	UR SINGLE (7P)
*	703-48250-12	REMOTE CONTROL ASSY	1	UR WITH TILT SW.(10P)
* 5	703-48220-11	REMOTE CONTROL ASSY	1	UR TWIN LEVER (7P)
*	703-48280-12	REMOTE CONTROL ASSY	1	UR TWIN LEVER(10P)
6	701-48310-10	CABLE, remote control	2	UR L:6F
	701-48310-20	CABLE, remote control	2	UR L:7F
	701-48310-40	CABLE, remote control	2	UR L:8F
	701-48310-60	CABLE, remote control	2	UR L:9F
	701-48310-80	CABLE, remote control	2	UR L:10F
	701-48310-90	CABLE, remote control	2	UR L:11F
	701-48320-00	CABLE, remote control	2	UR L:12F
	701-48320-20	CABLE, remote control	2	UR L:13F
	701-48320-30	CABLE, remote control	2	UR L:14F
	701-48320-50	CABLE, remote control	2	UR L:15F
	701-48320-60	CABLE, remote control	2	UR L:16F
	701-48320-80	CABLE, remote control	2	UR L:17F
	701-48320-90	CABLE, remote control	2	UR L:18F
	701-48320-40	CABLE, remote control	2	UR L:19F
	701-48320-70	CABLE, remote control	2	UR L:20F
	701-48350-00	CABLE, remote control	2	UR L:21F
	701-48350-10	CABLE, remote control	2	UR L:22F

*See Fig. 33 and 34 for detail service parts.

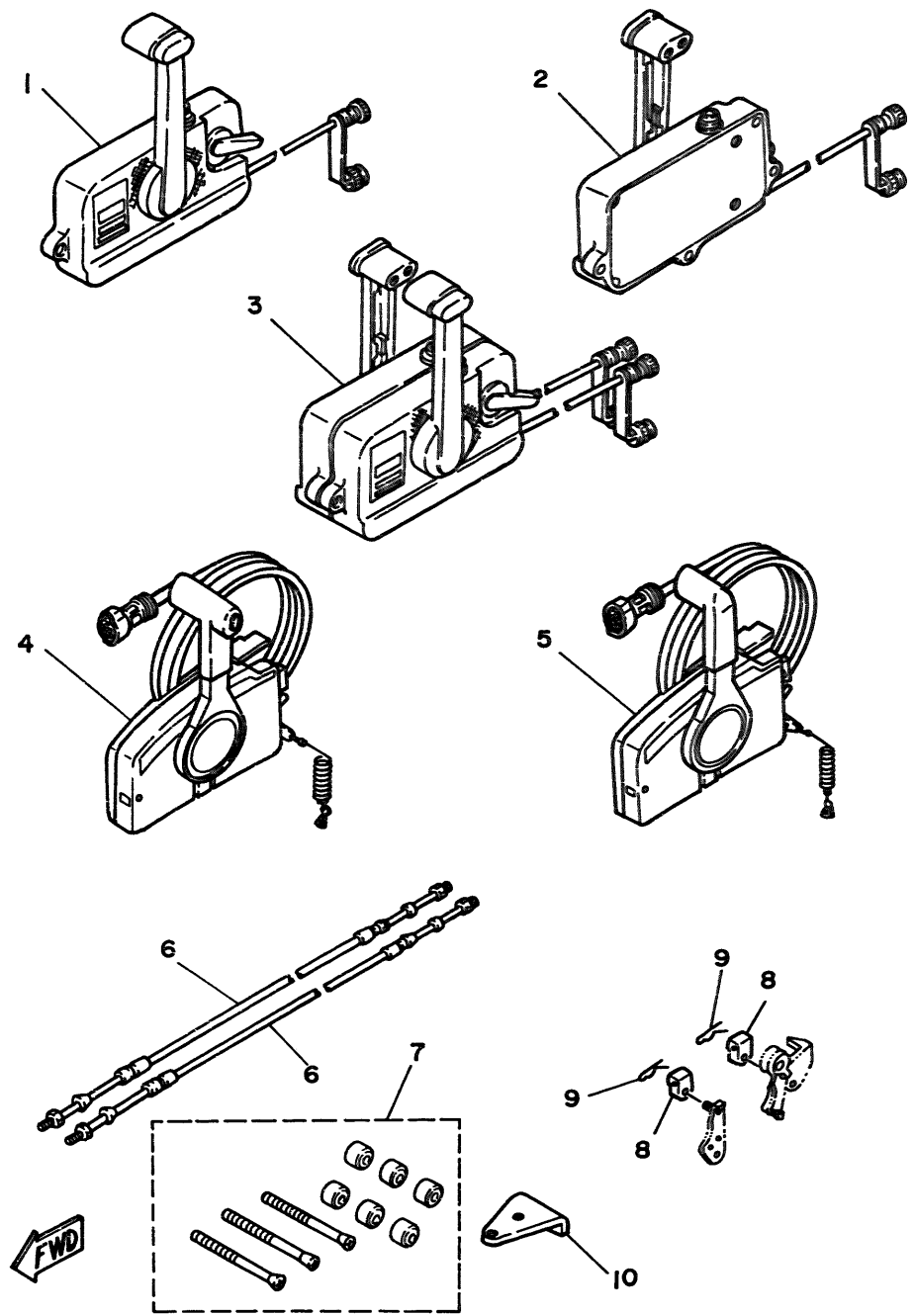
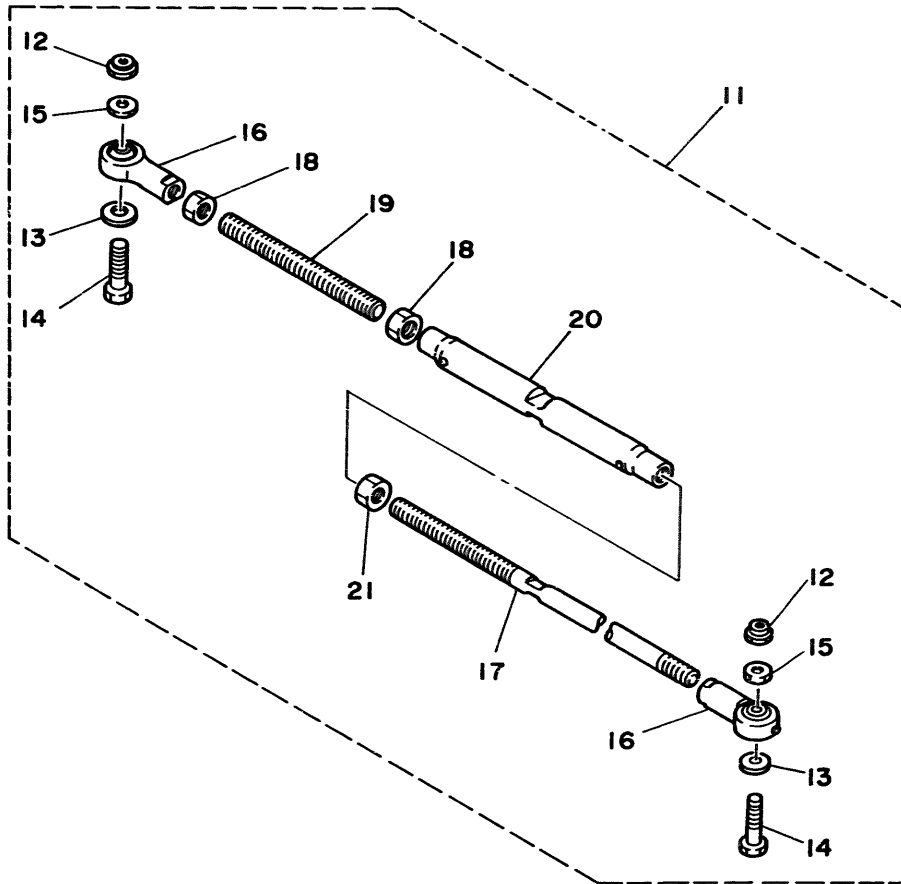
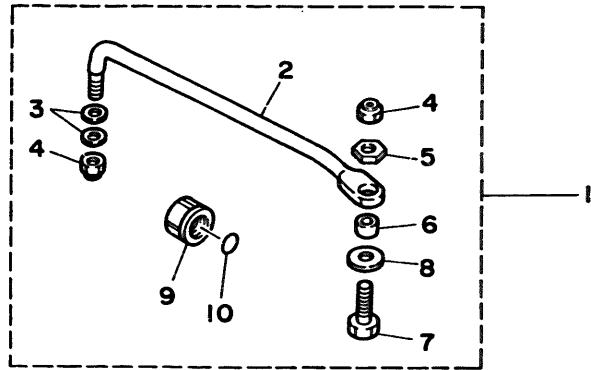


FIG. 31 REMOTE CONTROL

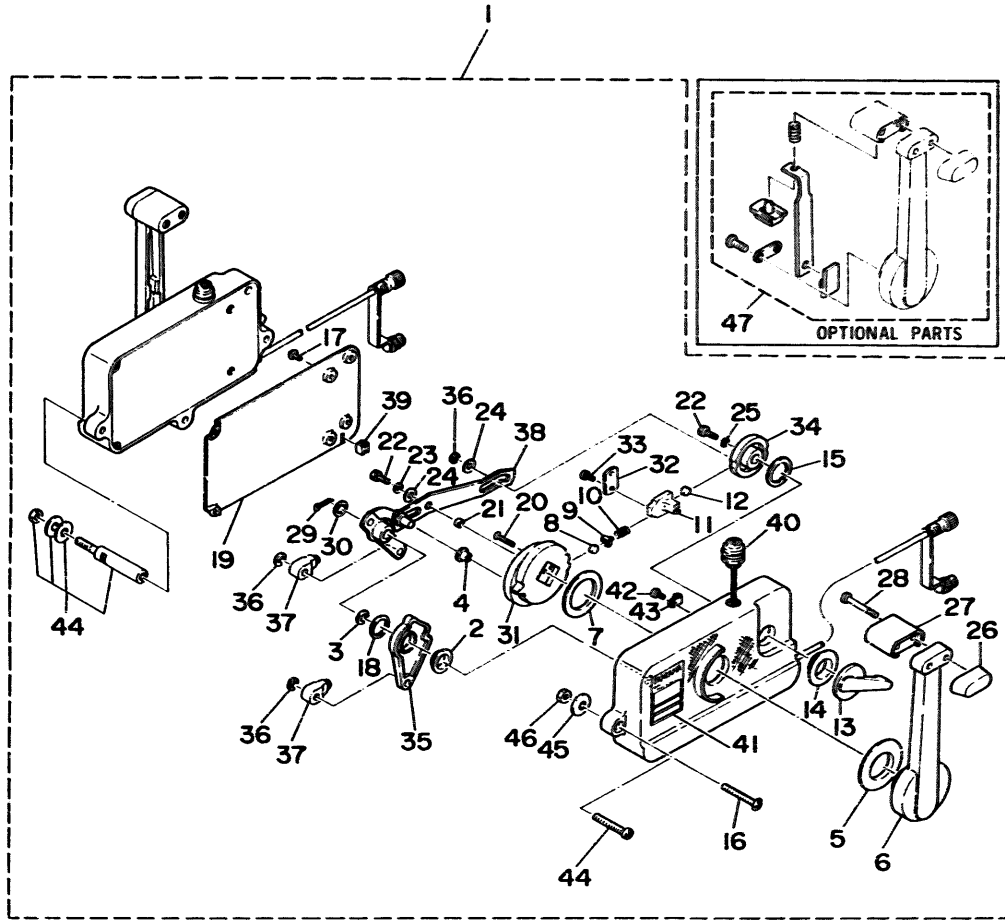
REF. NO.	PART NO.	DESCRIPTION	Q'TY	REMARKS
6	701-48350-20	CABLE, remote control	2	UR L:23F
7	703-48290-01	TWIN ATTACHMENT	1	
8	6H4-48344-00	CABLE END, remote control	2	
9	90468-18008	CLIP	2	
10	6H4-48511-50-EK	HOOK, steering	1	

FIG. 32 STEERING GUIDE ATTACHMENT



REF. NO.	PART NO.	DESCRIPTION	Q'TY	REMARKS
1	689-61350-02	STEERING GUIDE ATTACHMENT KIT	1	
2	689-61351-01	.ROD, steering link	1	
3	90201-10M20	.WASHER, plate	2	
4	90185-09M01	.NUT, self-locking	2	
5	90170-09M03	.NUT	1	
6	90387-10M42	.COLLAR	1	
7	90101-09M66	.BOLT	1	
8	90201-10M63	.WASHER, plate	1	
9	6E5-43145-00	.CAP, clamp bracket	1	
10	93210-16275	.O-RING	1	
11	6E5-61301-01	TWIN KIT (L:600-800MM)	1	UR
	688-61301-01	TWIN KIT (L:430-630MM)	1	UR
12	90185-09M01	.NUT, self-locking	2	
13	90201-10M76	.WASHER, plate	2	
14	90101-09M70	.BOLT	2	
15	90170-09M05	.NUT	2	
16	6E5-61303-00	.STEERING EYE COMP.	2	
17	6E5-61311-11	.TIE BAR	1	UR
	688-61311-11	.TIE BAR	1	UR
18	95380-14700	.NUT	2	
19	6E5-61315-00	.TIE BAR	1	
20	6E5-61313-00	.ADJUSTER	1	
21	90170-14M06	.NUT	1	

FIG. 33 REMOTE CONTROL ASSY 1



REF. NO.	PART NO.	DESCRIPTION	Q'TY	REMARKS
1	701-48101-10	REMOTE CONTROL ASSY	1	UR RIGHT
	701-48102-10	REMOTE CONTROL ASSY	1	UR LEFT
	701-48110-22	REMOTE CONTROL ASSY	1	UR TWIN
2	701-48235-00	.BUSHING	1	
3	701-48197-10	.WASHER, wave	1	
4	701-48252-00	.ROLLER, cam	1	
5	701-48234-00	.BUSHING 1	1	
6	701-48221-00	.LEVER, control	1	
7	701-48196-11	.WASHER, wave	1	
8	701-48236-00	.ROLLER, detent	1	
9	702-48237-00	.ADAPTOR	1	
10	702-48238-00	.SPRING, detent	1	
11	701-48249-00	.ADAPTOR, spring	1	
12	701-48248-00	.ROLLER, free accel.	1	
13	701-48152-11	.KNOB, free accel. (RIGHT)	1	UR SINGLE
	701-48152-20	.KNOB, free accel. (LEFT)	1	UR TWIN
14	701-48243-00	.BUSHING	1	
15	701-48198-10	.WASHER, wave	1	
16	701-48281-00	.SCREW	3	SINGLE
17	701-48289-00	.SCREW	4	
18	701-48268-00	.SPACER	1	
19	701-48213-00	.PLATE	1	
20	92780-06025	.SCREW, flat head	2	
21	701-48255-00	.COLLAR	1	
22	97395-06018	.BOLT	2	
23	702-48288-00	.WASHER, plain	1	
24	701-48246-00	.SPACER	2	
25	92990-06300	.WASHER, internal tooth	1	

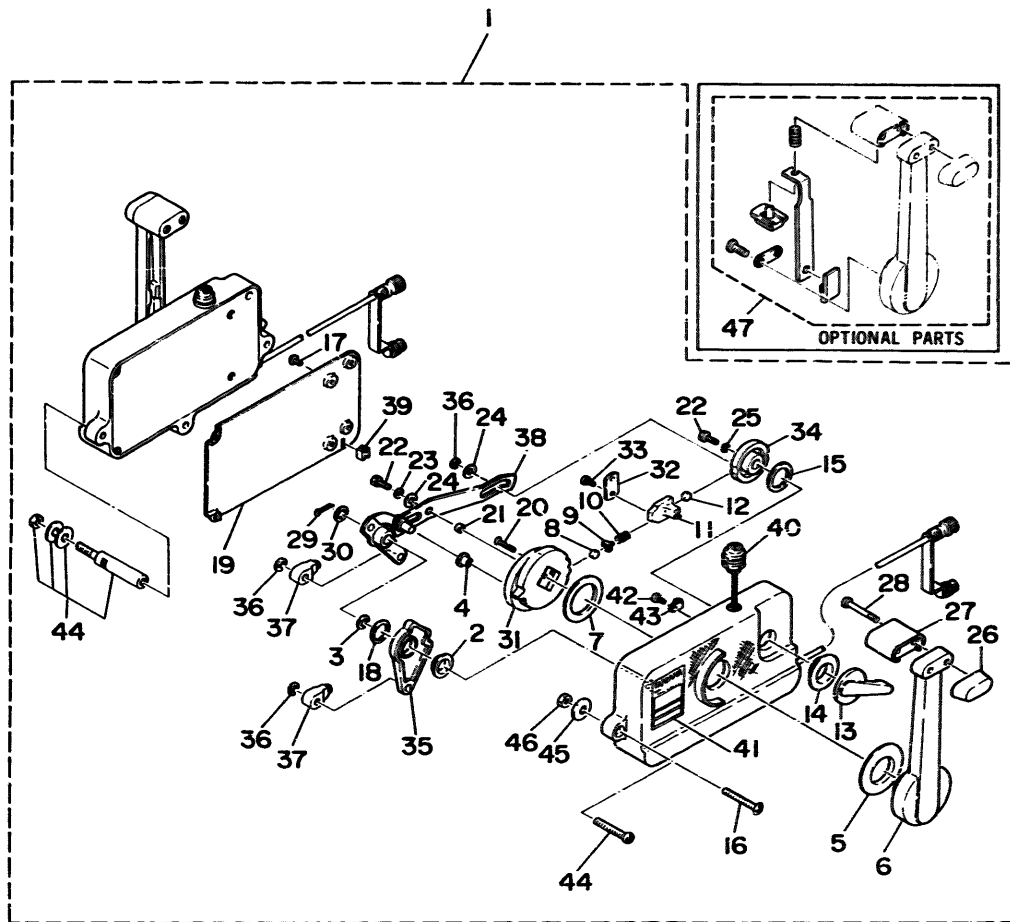


FIG. 33 REMOTE CONTROL ASSY 1

REF. NO.	PART NO.	DESCRIPTION	Q'TY	REMARKS
26	701-48229-00	.GRIP, control lever	1	
27	701-48222-00	.GRIP, control lever	1	
28	701-48282-00	.SCREW	2	
29	701-48239-00	.SET PIN, plate	1	
30	701-48266-00	.SPACER	1	
31	701-48232-00	.GEAR	1	
32	701-48189-11	.RETAINER	1	
33	98580-05010	.SCREW, pan head	2	
34	701-48153-12	.SHAFT, free accel.	1	
35	701-48271-00	.ARM, shift (RIGHT)	1	UR SINGLE
	701-48271-10	.ARM, shift (LEFT)	1	UR TWIN
36	93430-06024	.CIRCLIP	3	
37	703-48345-01	.CABLE END, remote control 2	2	
38	701-48261-00	.ARM, throttle (RIGHT)	1	UR SINGLE
	701-48261-10	.ARM, throttle (LEFT)	1	UR TWIN
39	701-48358-00	.ANCHOR, cable	1	
40	701-82550-50	.ENGINE STOP SWITCH ASSY	1	
41	701-48126-00	.GRAPHIC	1	
42	701-48283-00	.SCREW	1	
43	701-82594-00	.CLAMP	1	
44	701-48291-00	.ATTACHMENT	1	FOR TWIN
45	701-48287-00	.WASHER	3	FOR SINGLE
46	95380-06600	.NUT	3	FOR SINGLE
47	701-48280-00	NEUTRAL LOCK KIT	1	AP

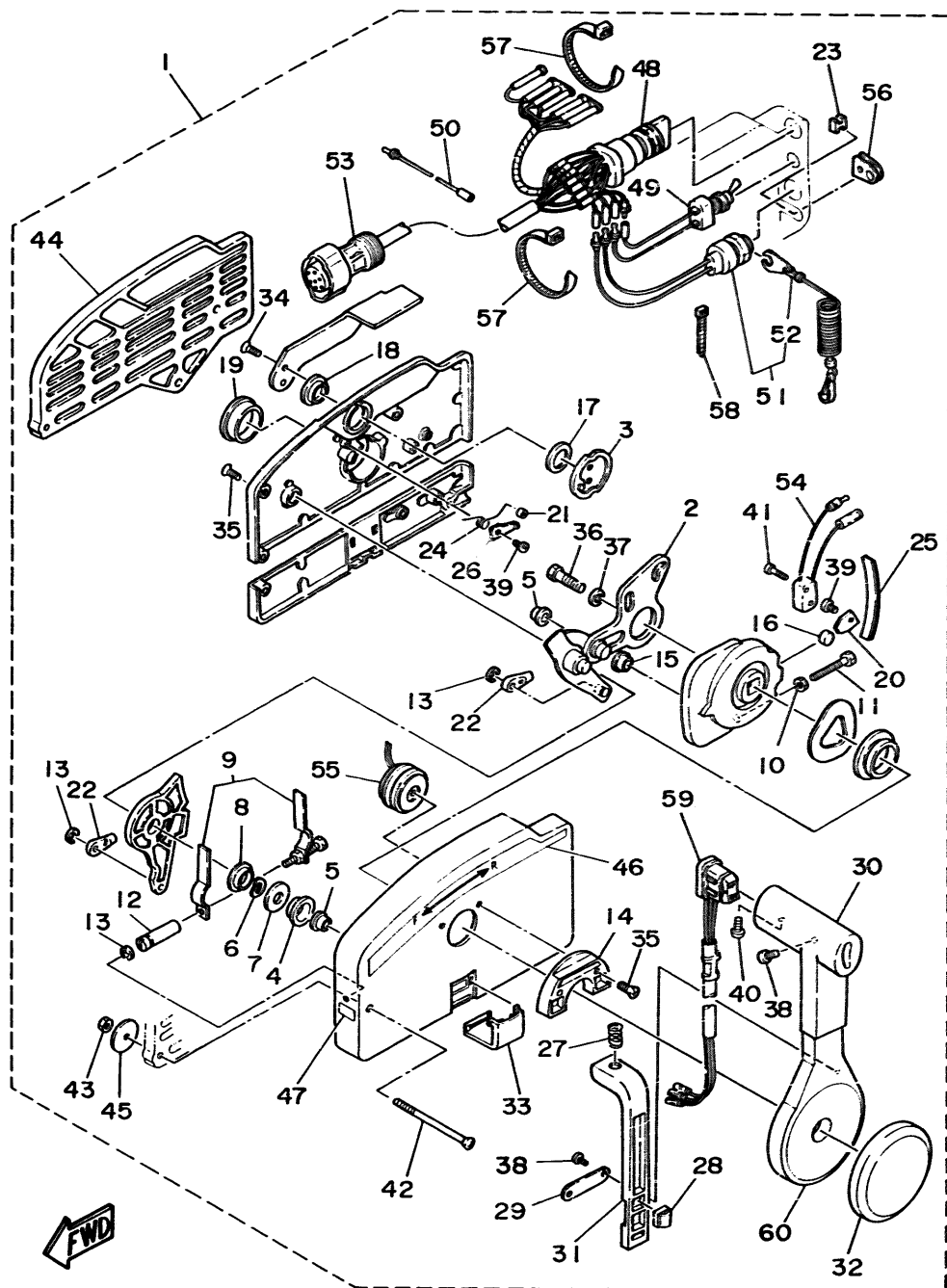


FIG. 34 REMOTE CONTROL ASSY 2

REF. NO.	PART NO.	DESCRIPTION	Q'TY	REMARKS
1	703-48230-11	REMOTE CONTROL ASSY	1	UR SINGLE (7P)
	703-48250-12	REMOTE CONTROL ASSY	1	UR WITH TILT SW.(10P)
	703-48210-12	REMOTE CONTROL ASSY	1	UR SINGLE (10P)
	703-48220-11	REMOTE CONTROL ASSY	1	UR TWIN LEVER (7P)
	703-48280-12	REMOTE CONTROL ASSY	1	UR TWIN LEVER (10P)
2	703-48261-10	.ARM, throttle	1	
3	703-48153-00	.SHAFT, free accel.	1	
4	703-48235-00	.BUSHING	1	
5	703-48273-00	.BUSHING	2	
6	703-48197-00	.WASHER, wave	1	
7	703-48268-00	.SPACER	1	
8	703-48263-00	.BUSHING	1	
9	703-48264-00	.THROTTLE, friction	1	
10	95380-05600	.NUT	1	
11	97380-05025	.BOLT	1	
12	703-48265-00	.SHAFT, friction	1	
13	93430-06024	.CIRCLIP	3	
14	703-48245-00	.PLATE, lock	1	
15	703-48252-00	.ROLLER, cam	1	
16	701-48248-00	.ROLLER, free accel.	1	
17	703-48198-00	.WASHER, wave	1	
18	703-48243-00	.BUSHING	1	
19	703-48236-00	.BUSHING 1	2	
20	703-48189-00	.RETAINER	1	
21	703-48234-00	.ROLLER, detent	1	
22	703-48345-01	.CABLE END, remote control 2	2	
23	703-48358-00	.ANCHOR, cable	1	
24	703-48244-00	.SPRING, free accel.	1	

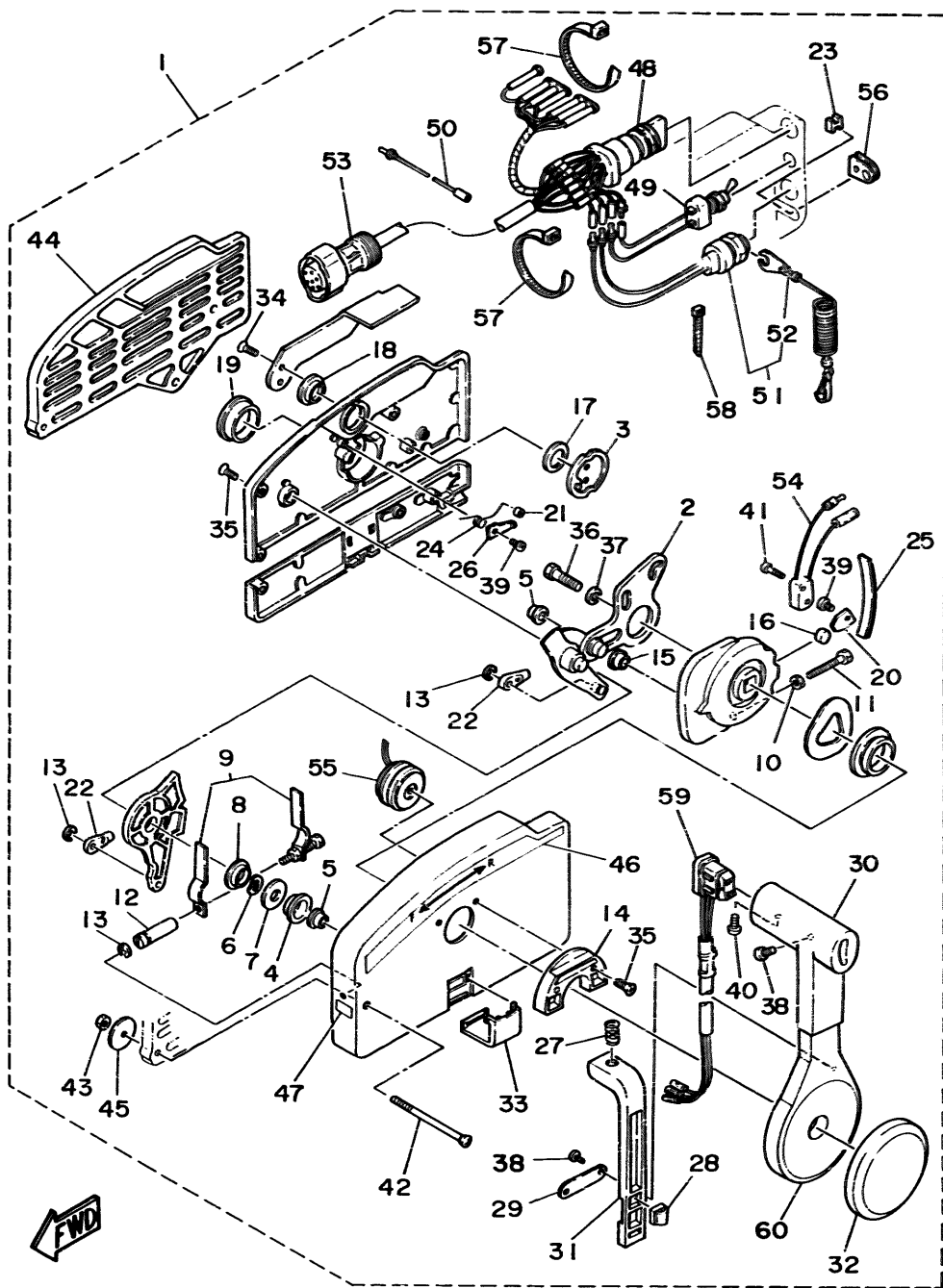


FIG. 34 REMOTE CONTROL ASSY 2

REF. NO.	PART NO.	DESCRIPTION	Q'TY	REMARKS
25	703-48238-00	.SPRING, detent	5	
26	703-48246-00	.SPACER	1	
27	703-48227-00	.SPRING, neutral lock	1	
28	703-82594-00	.CLAMP	1	
29	703-48226-00	.PLATE, stopper	1	
30	703-48222-00	.GRIP, control lever	1	UR SINGLE
	703-48222-10	.GRIP, control lever	1	UR TWIN
31	703-48223-00	.LOCK, neutral	1	
32	703-48225-00	.COVER	1	
33	703-48219-00	.COVER, lead	1	
34	98780-05012	.SCREW, flat head	2	
35	98780-05016	.SCREW, flat head	7	
36	97395-08030	.BOLT	1	
37	92990-08600	.WASHER, plate	1	
38	98580-04010	.SCREW, pan head	3	
39	98580-04006	.SCREW, pan head	2	
40	98580-05010	.SCREW, pan head	1	
41	98580-03015	.SCREW, pan head	2	
42	92680-06090	.SCREW, oval head	3	
43	95380-06600	.NUT	3	
44	703-48293-10	.SPACER, remote control	1	UR SINGLE
	703-48293-00	.SPACER, remote control	3	UR TWIN
45	701-48287-00	.WASHER	3	
46	703-48215-00	.GRAPHIC	1	
47	702-48217-00	.MARK	1	
48	703-82510-10	.MAIN SWITCH ASSY	1	UR FOR 10P
	703-82510-01	.MAIN SWITCH ASSY	1	UR FOR 7P
49	703-82574-00	.SWITCH, choke	1	

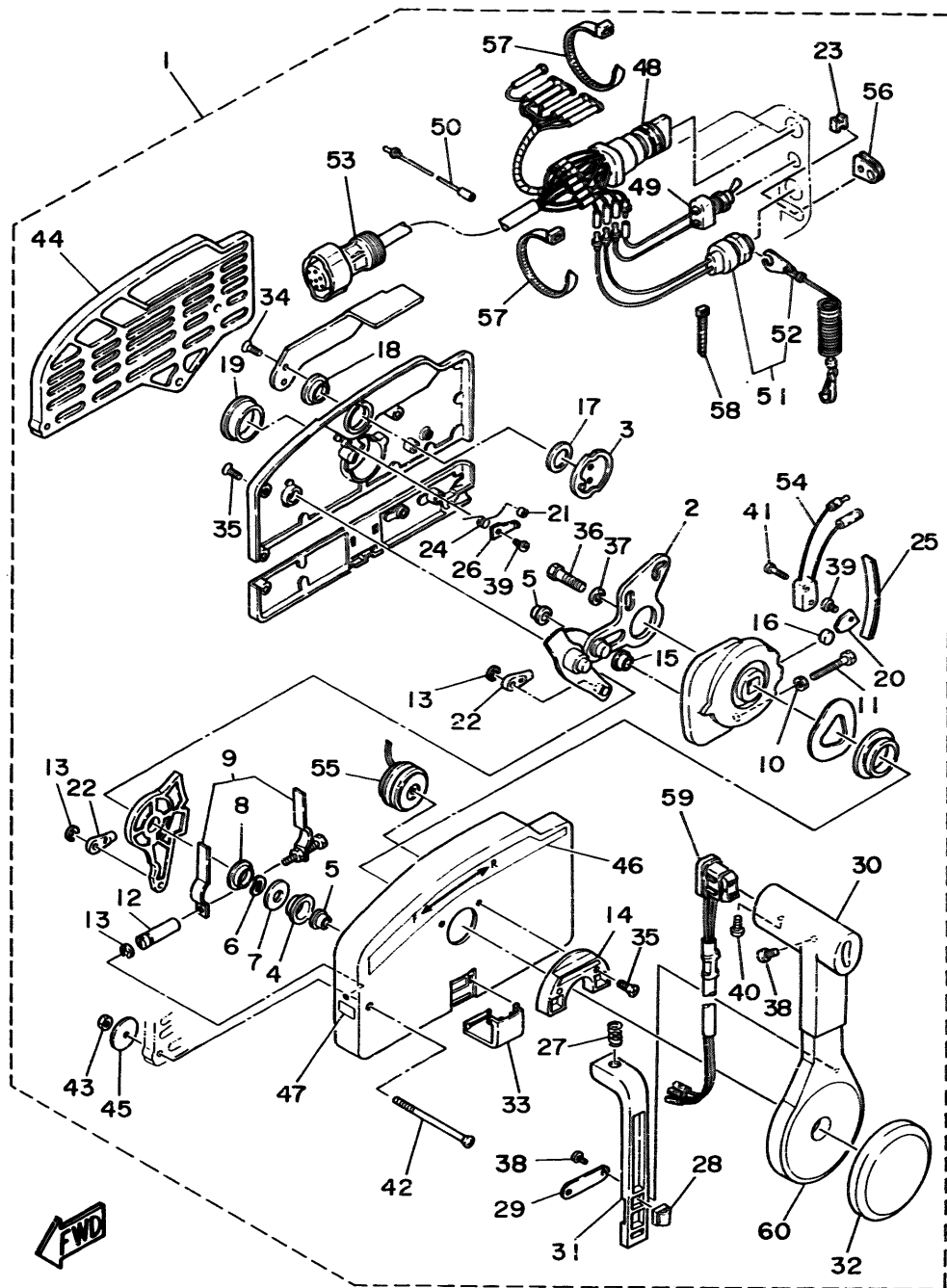


FIG. 34 REMOTE CONTROL ASSY 2

REF. NO.	PART NO.	DESCRIPTION	Q'TY	REMARKS
50	703-82531-00	.WIRE, lead	1	
51	688-82575-01	.ENGINE STOP SWITCH ASSY	1	
52	682-82556-00	..STOPPER	1	
53	688-9258A-20	.EXTENSION, wire harness	1	UR L:5m (10P)
	688-82586-21	.EXTENSION, wire harness	1	UR L:5m (7P)
54	703-82540-00	.NEUTRAL SWITCH ASSY	1	
55	703-83383-01	.BUZZER	1	
56	703-48284-00	.GROMMET	1	
57	90465-13169	.CLAMP	2	
58	80L-26397-00	.BAND	1	
59	703-82563-01	.TRIM & TILT SWITCH ASSY	1	UR
	703-48224-00	.COVER, control lever	1	UR WITHOUT TILT SW.
60	703-48221-00	.LEVER, control	1	

FIG. 35 OPTIONAL PARTS 1

REF. NO.	PART NO.	DESCRIPTION	Q'TY	REMARKS
1	689-82575-12	ENGINE STOP SWITCH ASSY	1	
2	682-82556-00	.STOPPER	1	
3	6A0-82553-20	EXTENSION, wire lead	1	
4	676-42726-00	GROMMET	1	
5	689-82550-11	ENGINE STOP SWITCH ASSY	1	
6	6A0-82553-20	EXTENSION, wire lead	1	
7	676-42726-00	GROMMET	1	
8	6G1-81970-61	RECTIFIER ASSY	1	
9	6G1-82151-00	.FUSE	1	
10	98503-05025	SCREW, pan head	1	
11	92990-05600	WASHER, plate	1	
12	663-81910-10	VOLTAGE REGULATOR ASSY	1	

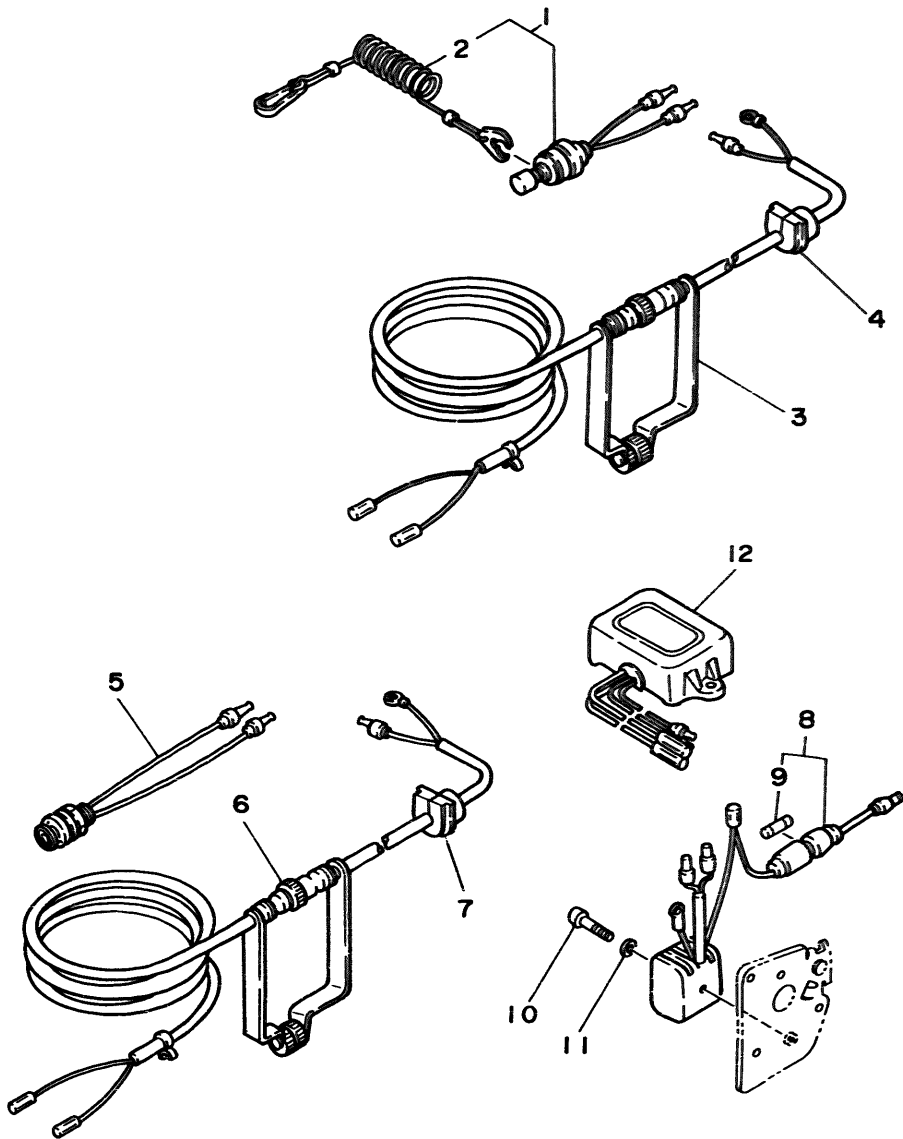
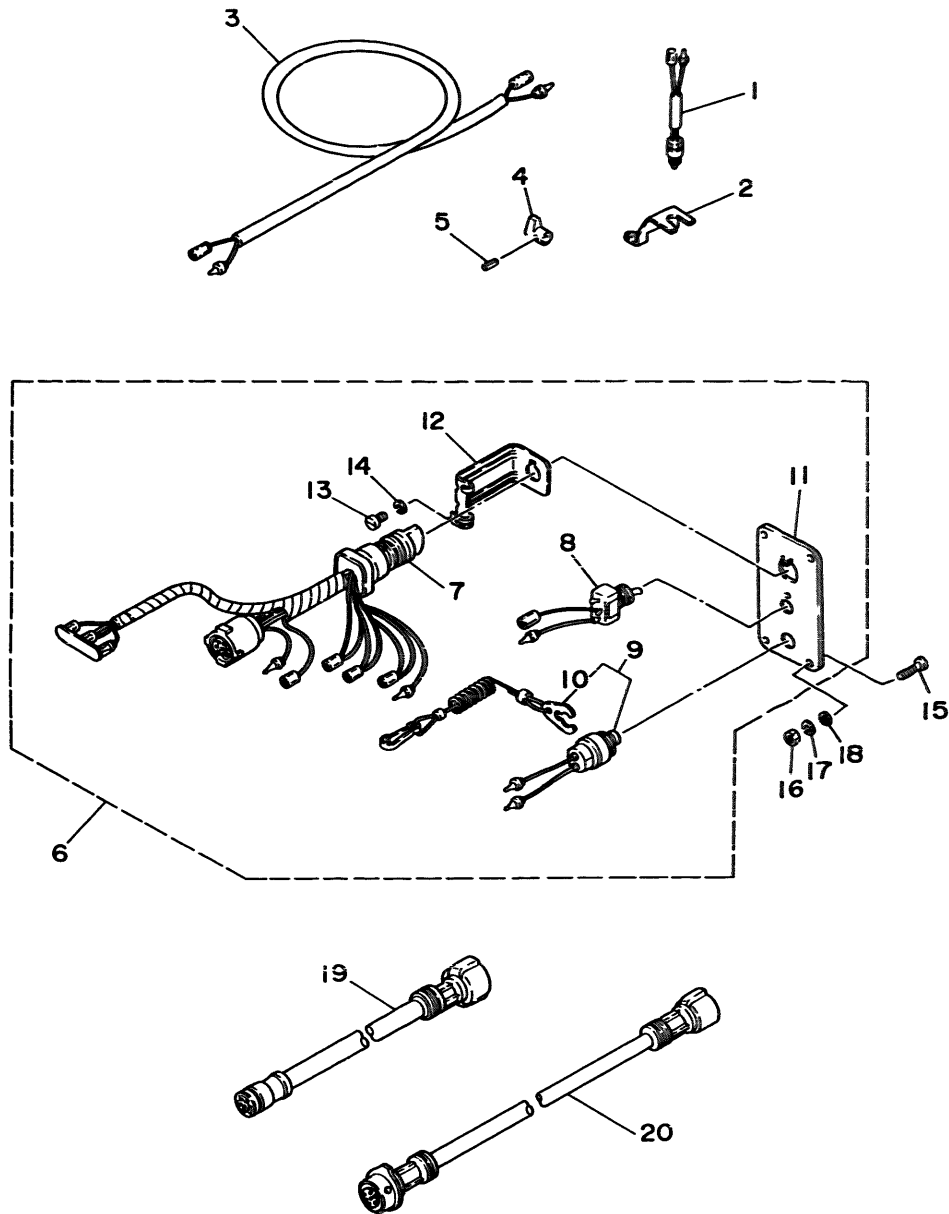


FIG. 36 OPTIONAL PARTS 2



REF. NO.	PART NO.	DESCRIPTION	Q'TY	REMARKS
1	6H3-82540-00	NEUTRAL SWITCH ASSY	1	
2	6H4-82554-00	STAY, neutral switch	1	
3	6H4-82553-00	EXTENSION, wire lead	1	
4	6H4-44173-00	LEVER, shift control	1	
5	91690-30020	PIN, spring	1	
6	689-82570-15	PANEL SWITCH ASSY	1	
7	689-82510-00	.MAIN SWITCH ASSY	1	
8	703-82574-00	.SWITCH, choke	1	
9	688-82575-01	.ENGINE STOP SWITCH ASSY	1	
10	682-82556-00	..STOPPER	1	
11	689-82571-02	.PANEL, switch	1	
12	663-82581-01	.STAY, cord clamp	1	
13	98303-04008	.SCREW, cylinder head	1	
14	92901-04100	.WASHER, spring	1	
15	90149-05M05	SCREW	4	
16	95380-05600	NUT	4	
17	92990-05100	WASHER, spring	4	
18	92990-05600	WASHER, plate	4	
19	688-82586-50	EXTENSION, wire harness	1	UR L:5m (7P)
	688-8258A-50	EXTENSION, wire harness	1	UR L:5m (10P)
20	688-82586-11	EXTENSION, wire harness	1	UR L:2m (7P)
	688-8258A-10	EXTENSION, wire harness	1	UR L:2m (10P)
	688-82586-31	EXTENSION, wire harness	1	UR L:3m (7P)
	688-8258A-30	EXTENSION, wire harness	1	UR L:3m (10P)

FIG. 37 OPTIONAL PARTS 3

REF. NO.	PART NO.	DESCRIPTION	Q'TY	REMARKS
1	6Y5-W0080-11	TACHOMETER KIT	1	
2	6Y5-83540-12	.TACHOMETER ASSY	1	
3	688-83516-00	..BULB	1	
4	6Y5-83536-10	..SOCKET, meter	1	
5	6Y5-83523-00	..DAMPER	1	
6	6Y5-83514-00	..PLATE, fitting	1	
7	6Y5-83553-00	.WIRE, lead	1	
8	1E6-82151-00	..FUSE (10A)	1	
9	6Y5-W0081-30	SPEEDOMETER KIT	1	
10	6Y5-83510-30	.SPEEDOMETER ASSY	1	
11	688-83516-00	..BULB	1	
12	6Y5-83536-10	..SOCKET, meter	1	
13	6Y5-83523-00	..DAMPER	1	
14	6Y5-83514-00	..PLATE, fitting	1	
15	688-83557-00	..TUBE	1	
16	90465-11M10	..CLAMP	2	
17	90601-31402	.NYLON CLIP 1	5	
18	97780-40116	.SCREW, tapping	5	
19	6Y5-W0088-00	WATER PRESSURE METER KIT	1	
20	6Y5-83660-00	.WATER PRESSURE METER ASSY	1	
21	6Y5-83518-00	..BULB, meter	1	
22	6Y5-83536-00	..SOCKET, meter	1	
23	688-83664-00	..DAMPER	1	
24	688-83665-00	..PLATE, fitting	1	
25	688-83667-00	.SENDER	1	
26	688-83666-00	..TUBE	1	
27	663-83668-00	..NUT, nipple	2	
28	90430-14115	..GASKET	1	

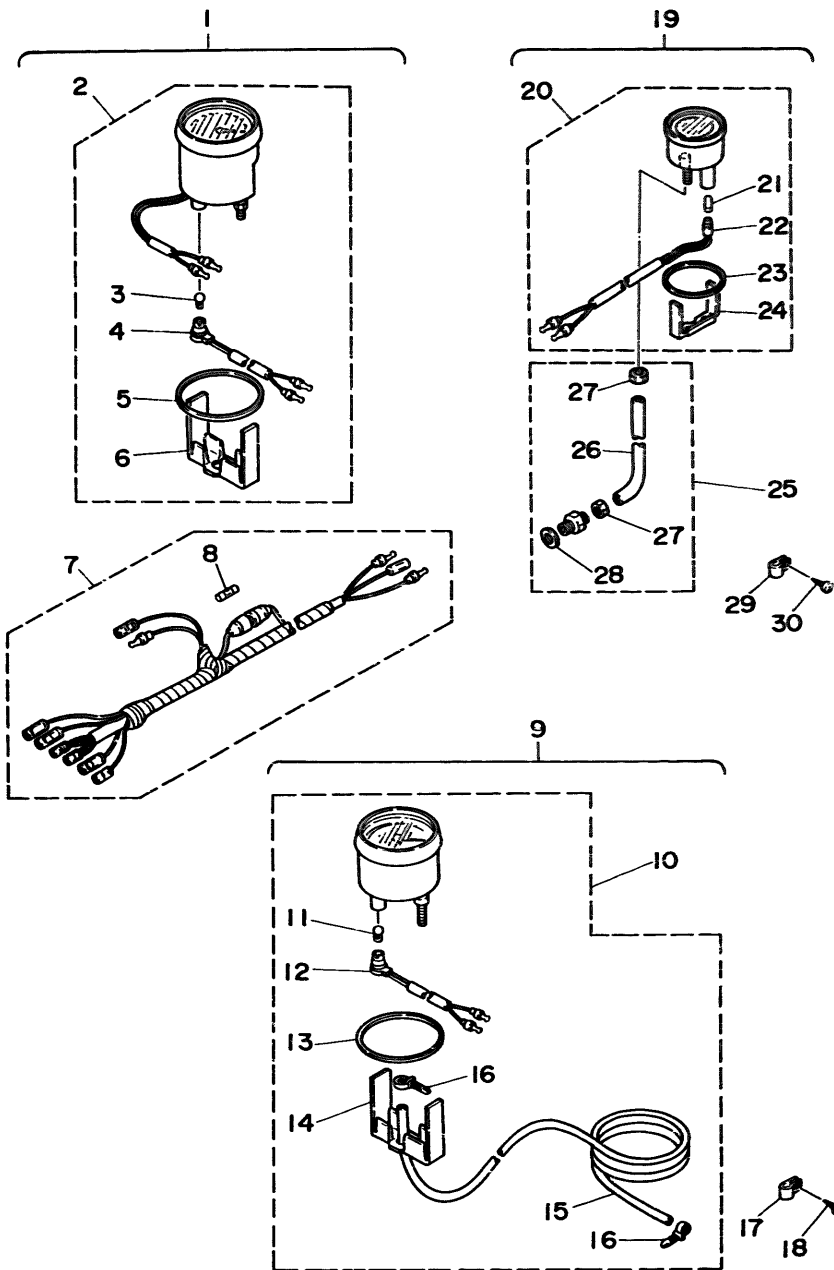
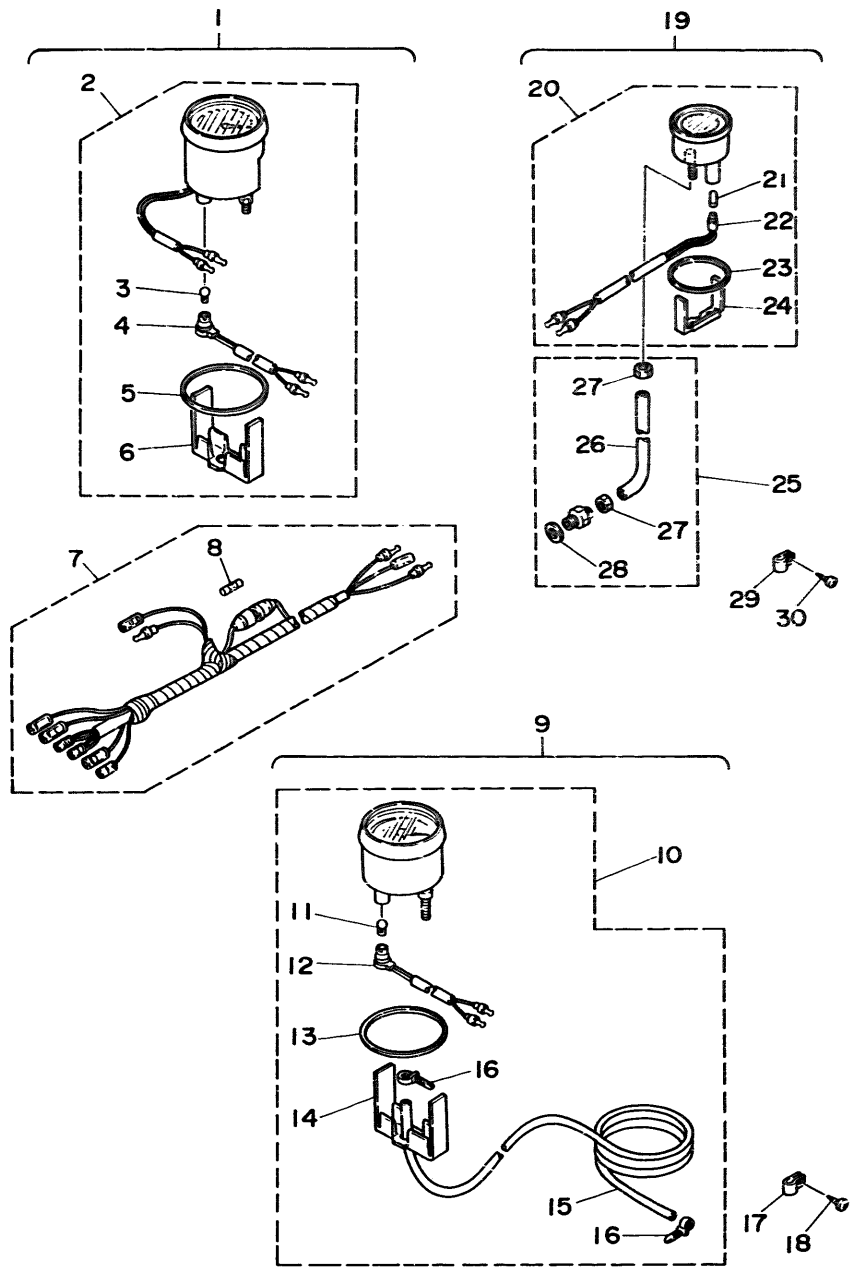


FIG. 37 OPTIONAL PARTS 3

REF. NO.	PART NO.	DESCRIPTION	Q'TY	REMARKS
29	90601-31402	.NYLON CLIP 1	5	
30	97780-40116	.SCREW, tapping	5	



D6

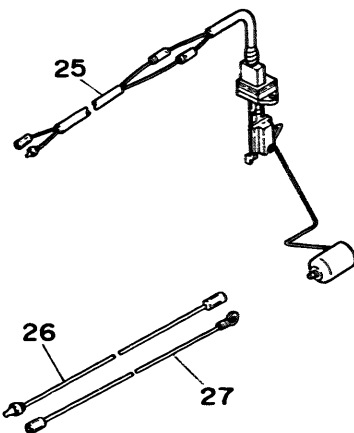
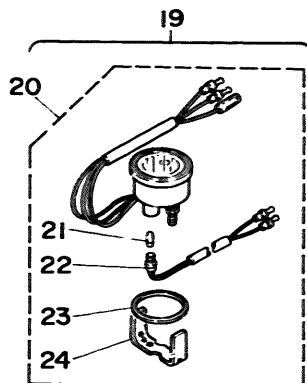
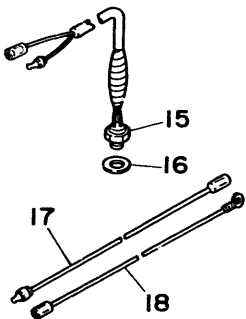
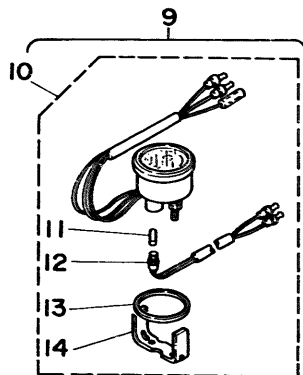
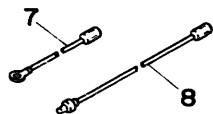
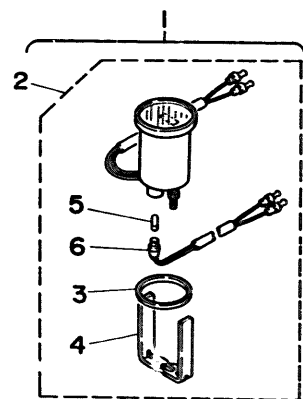


FIG. 38 OPTIONAL PARTS 4

REF. NO.	PART NO.	DESCRIPTION	Q'TY	REMARKS
1	6Y5-W0088-31	HOUR METER KIT	1	
2	6Y5-83504-01	.HOUR METER ASSY	1	
3	688-83664-00	..DAMPER	1	
4	6Y5-83577-00	..PLATE, fitting	1	
5	6Y5-83518-00	..BULB, meter	1	
6	6Y5-83536-00	..SOCKET, meter	1	
7	663-83553-A0	.WIRE, lead	1	
8	663-83553-Y0	.WIRE, lead	1	
9	6Y5-W0088-10	WATER TEMP. METER KIT	1	
10	6Y5-83590-00	.WATER TEMPERATURE ASSY	1	
11	6Y5-83518-00	..BULB, meter	1	
12	6Y5-83536-00	..SOCKET, meter	1	
13	688-83664-00	..DAMPER	1	
14	6Y5-83544-00	..PLATE, fitting	1	
15	688-83591-00	.THERMO UNIT	1	
16	90430-14115	.GASKET	1	
17	663-83553-Y0	.WIRE, lead	1	
18	663-83553-A0	.WIRE, lead	1	
19	6Y5-W0088-20	FUEL METER KIT	1	
20	6Y5-85750-00	.FUEL METER ASSY	1	
21	6Y5-83518-00	..BULB, meter	1	
22	6Y5-83536-00	..SOCKET, meter	1	
23	688-83664-00	..DAMPER	1	
24	6Y5-83544-00	..PLATE, fitting	1	
25	688-85752-01	.SENDER UNIT ASSY, fuel meter	1	
26	663-83553-Y0	.WIRE, lead	1	
27	663-83553-A0	.WIRE, lead	1	

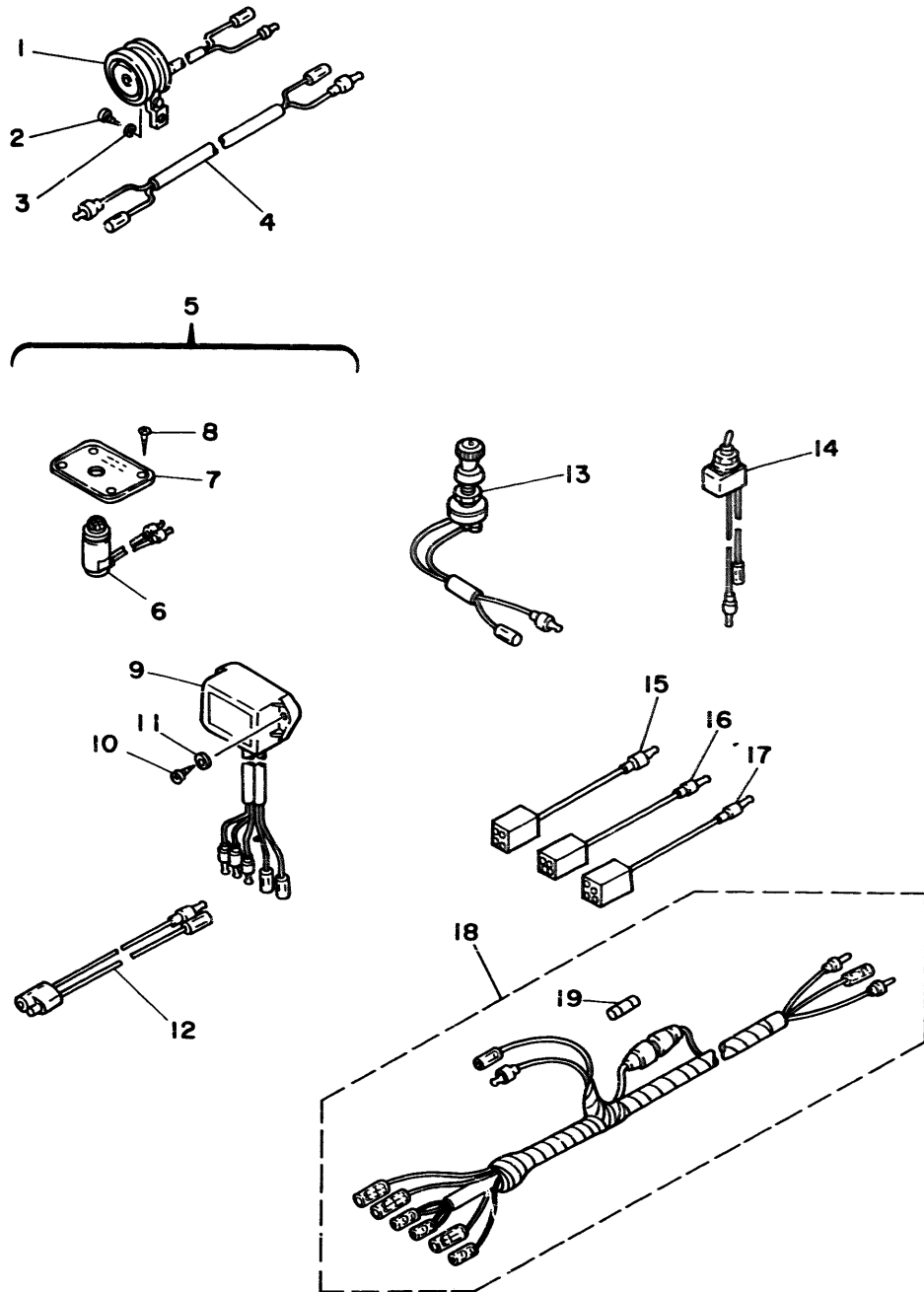


FIG. 39 OPTIONAL PARTS 5

REF. NO.	PART NO.	DESCRIPTION	Q'TY	REMARKS
1	688-83383-11	BUZZER	1	
2	97780-60516	SCREW, tapping	1	
3	92990-05600	WASHER, plate	1	
4	688-83373-10	LEAD, horn	1	
5	688-W0088-40	PILOT LAMP KIT	1	
6	663-84301-01	.PILOT LIGHT ASSY 1	1	
7	663-84309-00	.PLATE, set	1	
8	95428-31316	.SCREW, wood	4	
9	697-81901-60	.CHARGE WARNING UNIT ASSY	1	
10	97780-60120	.SCREW, tapping	2	
11	92990-06600	.WASHER, plate	2	
12	663-82521-09	.WIRE, lead	1	
13	688-82520-00	LIGHT SWITCH ASSY	1	UR
14	688-82526-00	SWITCH, lamp	1	UR
15	6Y5-82149-00	WIRE, lead (BLUE)	1	UR
16	6Y5-82117-00	WIRE, lead (BLACK)	1	UR
17	6Y5-82521-00	WIRE, lead (YELLOW)	1	UR
18	6Y5-83553-00	WIRE, lead	1	
19	1E6-82151-00	.FUSE (10A)	1	

FIG. 40 REPAIR KIT 1

REF. NO.	PART NO.	DESCRIPTION	Q'TY	REMARKS
1	6H4-W0001-02	POWER HEAD GASKET KIT	1	
2	6H4-11181-00	.GASKET, cylinder head 1	1	
3	6H4-11193-00	.GASKET, head cover 1	1	
4	90430-14115	.GASKET	1	
5	6H4-12414-00	.GASKET, cover	1	
6	6H4-41114-00	.GASKET, exhaust outer cover	2	
7	6H4-15369-01	.GASKET, oil seal housing	1	
8	93104-16M04	.OIL SEAL	2	
9	93102-25M28	.OIL SEAL	1	
10	93210-57M09	.O-RING	1	
11	6H4-13621-01	.GASKET, valve seat	2	
12	6H4-14198-01	.GASKET	3	
13	6H3-14457-01	.SEAL	3	
14	6H4-14984-00	.GASKET, float chamber	3	
15	93210-37M25	.O-RING	1	
16	650-24431-00	.GASKET, fuel pump 1	1	
17	6H4-45113-00	.GASKET, upper casing	1	
18	6H4-W0093-02	CARBURETOR REPAIR KIT	1	
19	6H4-14198-01	.GASKET	3	
20	676-14966-00	.CAP	3	
21	6H3-14590-00	.NEEDLE VALVE ASSY	3	
22	663-14159-00	.CLIP	3	
23	676-14186-00	.PIN, float	3	
24	6H4-14985-00	.FLOAT	3	
25	6H4-14548-00	.PIN, float arm	3	
26	6H4-14984-00	.GASKET, float chamber	3	
27	97980-04114	.SCREW, with washer	3	
28	93210-04230	.O-RING	3	

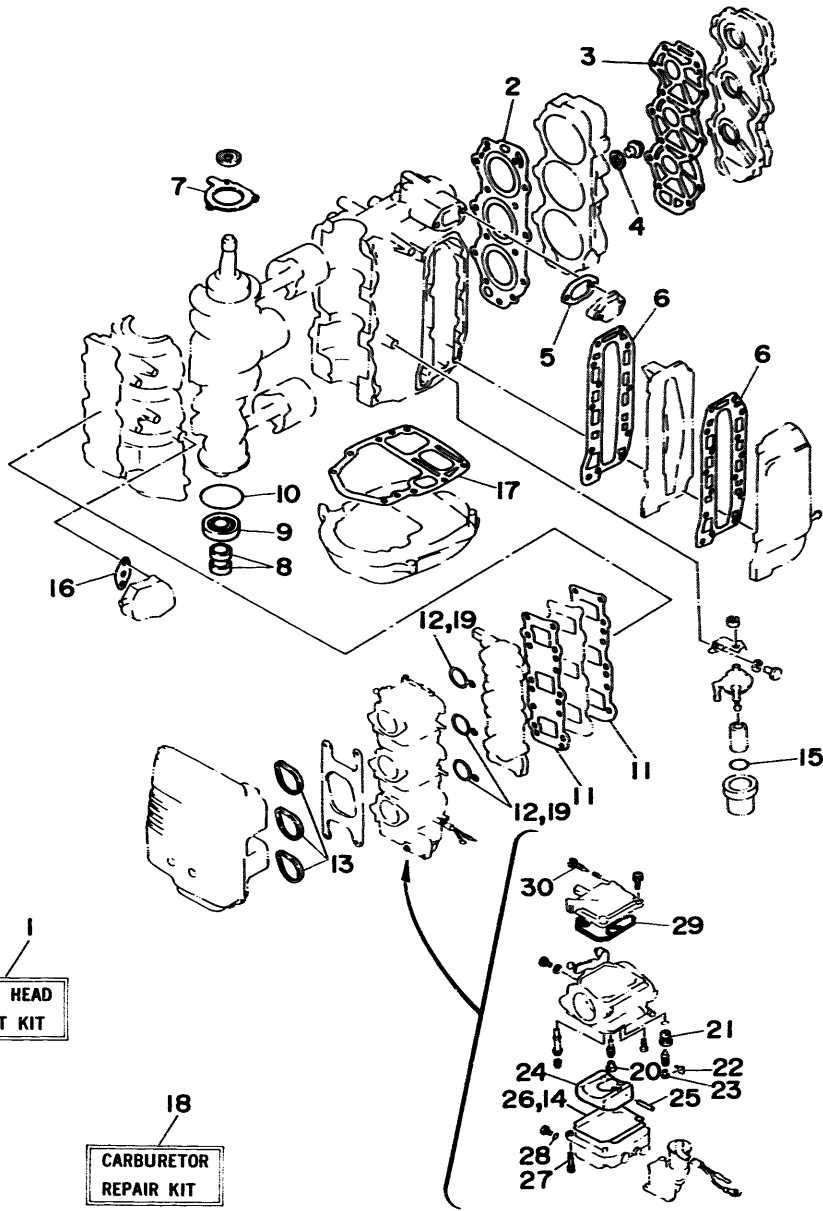


FIG. 40 REPAIR KIT 1

REF. NO.	PART NO.	DESCRIPTION	Q'TY	REMARKS
29	6H4-14147-00	.O-RING	3	
30	692-14923-00	.SCREW, pilot	3	

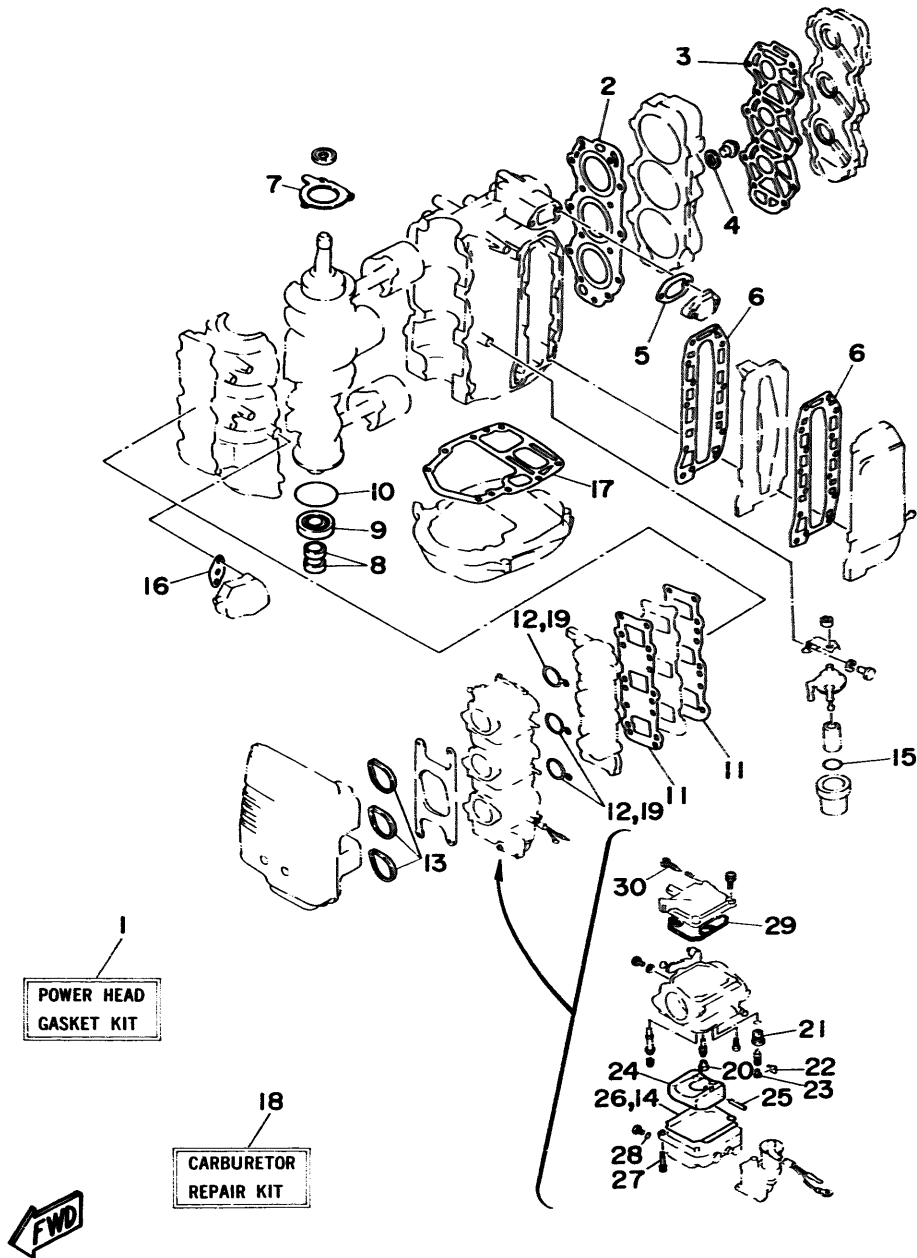
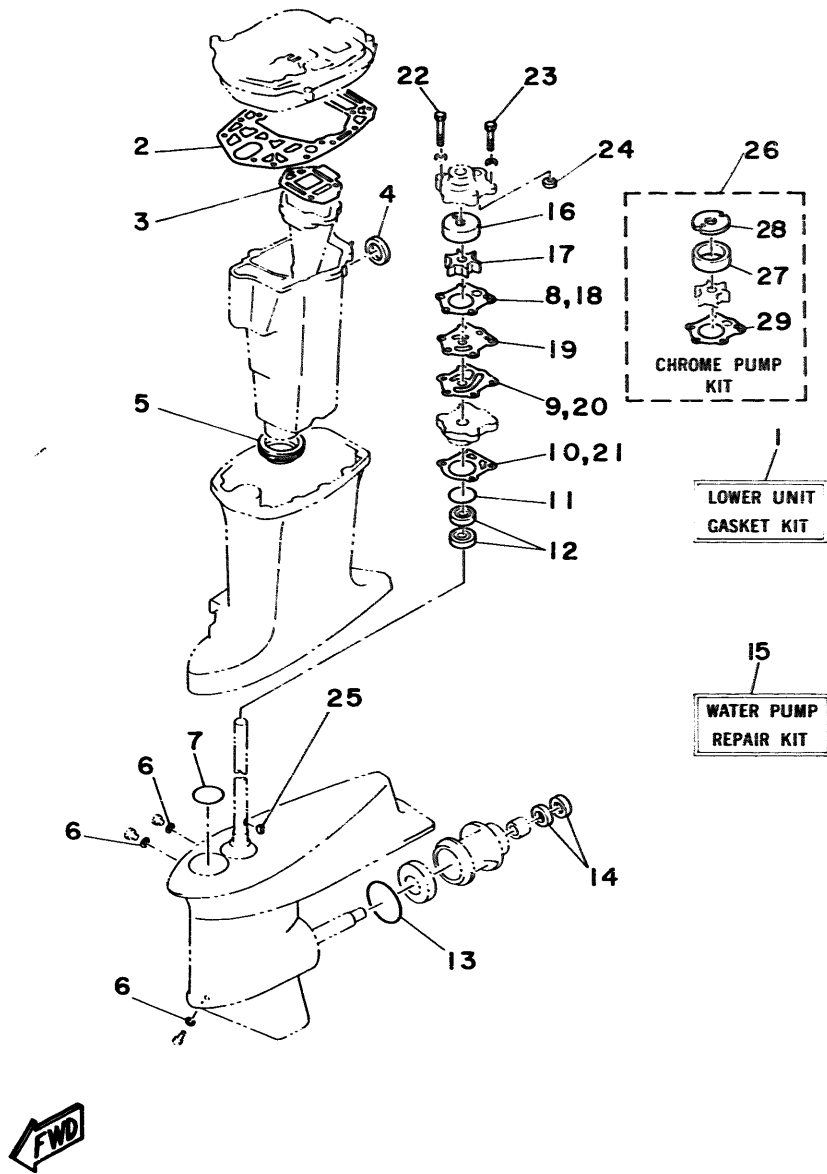


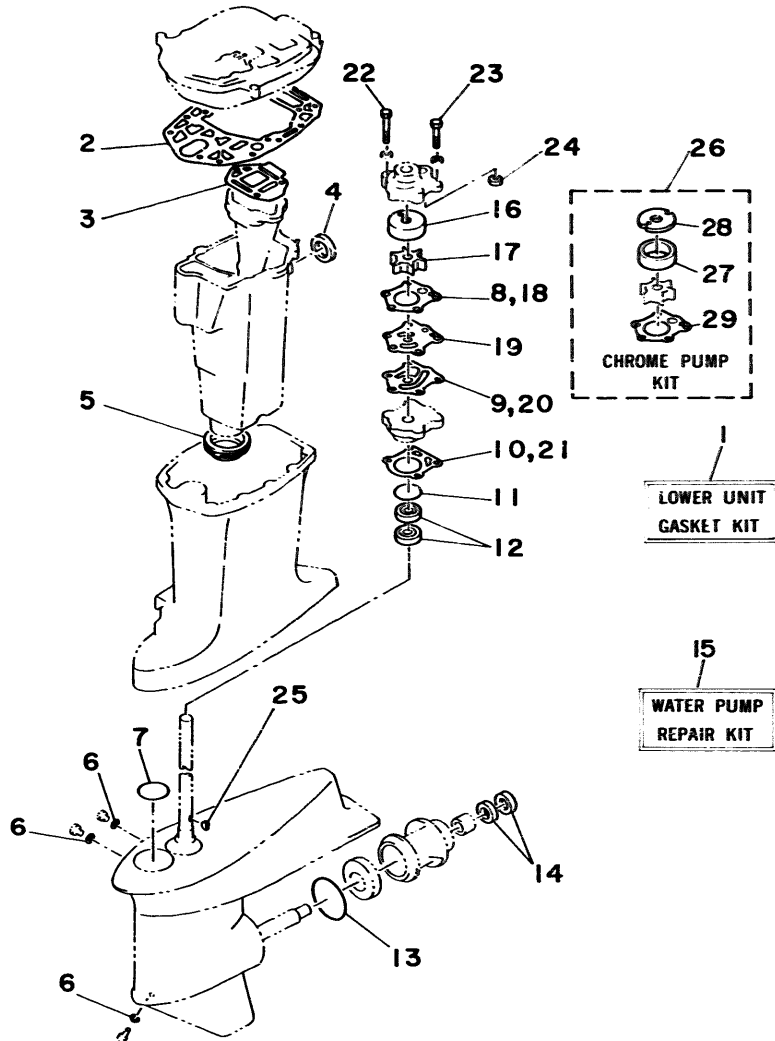
FIG. 41 REPAIR KIT 2



REF. NO.	PART NO.	DESCRIPTION	Q'TY	REMARKS
1	6H4-W0001-20	LOWER UNIT GASKET KIT	1	
2	6H4-45114-00	.GASKET, upper casing	1	
3	6H4-41134-00	.GASKET, exhaust manifold	1	
4	6H4-41133-00	.GASKET, exhaust manifold 1	1	
5	663-45123-00	.GASKET, muffler	1	
6	90430-08020	.GASKET	3	
7	93210-49046	.O-RING	1	
8	663-44315-00	.GASKET, water pump	1	
9	663-44324-00	.GASKET, cartridge	1	
10	663-44316-00	.GASKET, water pump	1	
11	93210-41042	.O-RING	1	
12	93101-23070	.OIL SEAL	2	
13	93210-66262	.O-RING	1	
14	93101-22067	.OIL SEAL	2	
15	6H4-W0078-00	WATER PUMP REPAIR KIT	1	
16	663-44322-00	.INSERT, cartridge	1	
17	6H4-44352-02	.IMPELLER	1	
18	663-44315-00	.GASKET, water pump	1	
19	663-44323-00	.OUTER PLATE, cartridge	1	
20	663-44324-00	.GASKET, cartridge	1	
21	663-44316-00	.GASKET, water pump	1	
22	97395-08055	.BOLT	2	
23	97395-08045	.BOLT	2	
24	663-44366-00	.DAMPER, water seal	1	
25	90280-03024	.KEY, woodruff	1	
26	6H4-W0078-0A	CHROME PUMP KIT	1	
27	670-44322-01	.INSERT, cartridge	1	
28	670-44321-00	.INNER PLATE, cartridge	1	

FIG. 41 REPAIR KIT 2

REF. NO.	PART NO.	DESCRIPTION	Q'TY	REMARKS
29	670-44323-00	.OUTER PLATE, cartridge	1	



NUMERICAL INDEX

PART NO.	REF. NO.	PART NO.	REF. NO.	PART NO.	REF. NO.	PART NO.	REF. NO.	PART NO.	REF. NO.	PART NO.	REF. NO.
6H4-W0001-02	40- 1	6H4-12414-00	40- 5	6H4-14548-00	40-25	6H4-15747-00	5-43	6Y1-24306-51	22- 9	6H4-41133-00	14-15
6H4-W0001-20	41- 1	6H1-13117-00	20- 3	679-14555-00	4-24	6H4-15747-10	5-52	6H4-24311-00	19- 9		41- 4
6H4-W0004-00	3- 2		21- 3	6H4-14561-00	4-33	656-15748-00	5-46	6H4-24312-00	6-35	6H4-41134-00	14- 7
6H4-W0070-H2	8-12	6J8-13183-00	20-40	6H4-14562-00	4-34	6F5-15752-00	5- 9	6H4-24313-00	6-34		41- 3
6H4-W0070-U1	23- 2		21-49	6H4-14567-00	4-30	689-15755-01	5-15	6H4-24314-00	6-13	6H4-41137-00-94	14- 5
6H4-W0070-42	24-11	6H4-13200-03	20- 5	6H2-14578-00	4- 9	6H4-15758-00-94	5- 4	6Y1-24329-00	7- 6	6H4-41213-04	27- 1
6H4-W0078-0A	41-26		21- 5	6H3-14590-00	4-26	6H4-15761-00	8- 2		22- 6	6H4-41213-14	13- 1
6H4-W0078-00	41-15	6J8-13411-00	21-41		40-21		23- 8	650-24351-51	7-13	6H4-41217-01	3-24
6Y5-W0080-11	37- 1	6J8-13414-00	21-42	6H4-14592-10	4-32	6H4-15762-00	5- 7		22-13	6E9-41237-00	20-22
6Y5-W0081-30	37- 9	6L2-13416-00	21-43	663-14592-00	4- 5	6H4-15770-00	5-45	6Y1-24360-51	7-11		21-22
6H4-W0084-04-EK	12- 1	6H4-13436-40	24-13	6H4-14711-00-9M	14- 9	6H4-15770-10	5-45		22-11	6H1-41237-00	20-18
6Y5-W0088-00	37-19	6H1-13471-00	20- 6	6H4-14711-10-5B	14- 9	6H4-15771-01-94	5-30	6E5-24378-00	21-37		21-18
6Y5-W0088-10	38- 9		21- 6	692-14923-00	4-25	6H4-15772-02-94	5-33	688-24378-00	6-32	6H4-41237-00	13- 6
6Y5-W0088-20	38-19	6L2-13475-00	20- 7		40-30	6H4-15774-00	5-40	6A0-24410-04	6-15		27- 6
6Y5-W0088-31	38- 1		21- 7	676-14943-30	4-21	6H4-15774-10	5-48	6H5-24411-00	4-43	6H4-41241-01	20-17
688-W0088-40	39- 5	6H5-13610-00	3- 1	676-14943-31	4-21	6F5-15779-02	5-16	648-24411-00	6-16		21-17
6H4-W0090-04-EK	1- 1	6H4-13621-01	3- 7		4-21	6H4-15787-01	5-14	663-24411-00	6-24	6H4-41257-00	3-18
6H4-W0090-14-EK	19- 1		40-11	676-14943-32	4-21	6A0-15789-00	5- 8	6H4-24412-00	4-31	6H4-41259-01	3-21
6H4-W0093-02	40-18	6H4-13624-01-94	3- 6	6H4-14947-07	4-20	6H4-21707-04	21-23	6H4-24413-00	4-35	6J8-41262-00	3-22
6Y1-W2420-42-24	7- 1	6H4-13641-12-94	19- 7	6H4-14948-11	4-23	6H4-21707-12	20-23	648-24413-01	6-25		11-46
	22- 1	6H4-13641-20-94	3- 5	676-14966-00	4-22	6H3-21732-00	24-15	6A0-24421-01	6-20	661-41262-02	3-19
656-W2810-01	7-18	6H4-13641-30-94	19- 7		40-20	6H3-21735-00	24-16	6L5-24421-00	4-37		5-53
6H4-11111-00-94	1-10	6H4-14146-00	4-15	6H4-14980-00	4-17	6J8-21744-00	20-45	648-24423-00	6-18	6H4-41271-01	3-20
6H4-11119-00	1- 6	6H4-14147-00	4-28		4-17		21-36	648-24424-00	6-17	689-41273-00	3-25
6H4-11181-00	1-11		40-29	6H4-14980-10	4-17	6H4-21752-00	21-27	650-24431-00	6-28	6J8-41274-00	3-23
	40- 2	663-14159-00	4-12	6H4-14984-00	4-16	6H1-21756-00	20-27		40-16	6H4-41632-01	13- 3
6H4-11191-00-9M	1-14		40-22		40-14	6H1-21757-00	21-33	6H5-24434-00	4-42		27- 3
6H4-11193-00	1-15	676-14186-00	4-13		40-26	6H4-21757-00	20-31	648-24434-01	6-19	6H4-41633-01	13-30
	40- 3		40-23	6H4-14985-00	4-14	6J8-21758-00	21-32	648-24435-02	6-23	6G5-41636-01	13- 5
688-11325-00	1- 8	6H4-14198-01	3-10		40-24	6H1-2176M-01	21-29	6H4-24452-01	4-29		27- 5
6H4-11400-03	2- 1		40-12	6H3-14992-00	4-18	6H1-2177H-00	24-14	6H4-24486-00	4-36	6F5-41662-00	13-22
6H4-11400-13	19- 3		40-19	6H4-15100-03-94	1- 2	6H4-21770-00	20-28	655-24521-01	6- 9		27-22
6H4-11445-00	2- 2	6H4-14301-08	4- 1	6H4-15100-11-94	19- 2		21-30	655-24560-01	6- 6	6H4-42111-01-EK	12- 2
6H4-11536-00	19- 4	6H4-14301-11	4- 1	6H4-15355-03-94	17- 3	6H4-21773-00	20-26	6F5-24563-01	6- 7	664-42119-00	12- 3
6H4-11537-01	20- 2	6H4-14302-08	4- 2		28- 3	6Y1-24244-20	7- 2	6H4-24566-01	6-10	6H4-42121-02-5B	10-33
	21- 2	6H4-14302-11	4- 2	6H4-15369-01	2-13		22- 2	6Y1-24610-00	7- 3	656-42126-01	12-24
6H4-11601-00	2- 8	6H4-14303-08	4- 3		40- 7	6Y1-24255-40	7- 8		22- 3	6H4-42131-00	12-15
6H4-11601-10	2- 8	6H4-14303-11	4- 3	6H4-15396-02-9M	2-14	6Y1-24256-50	22- 8	6H4-24633-00	20-29	6L2-42137-00	12- 5
6H4-11601-20	2- 8	6A0-14325-00	6-21	6H4-15705-00	5-26	6Y1-24260-02	7- 4	6H5-24633-00	21-31	6H4-42138-01	12-10
6H4-11631-01-95	2- 7	6H4-14406-00	3-11	6H4-15710-02-94	5- 1		22- 4	6H4-24634-00	20-30	6H4-42159-00	12-12
648-11633-00	2- 9	6H4-14431-01	3-13	6H4-15711-02-94	5- 2	6Y1-24268-00	7- 5	6H4-26311-02	12-16	6G1-42177-00	12- 4
6H4-11634-01	2-12	6H4-14431-11	3-13	6H4-15714-00	5-18		22- 5	80L-26397-00	34-58	6H4-42510-01-EK	25-51
6H4-11635-01	2- 7	6H3-14457-01	3-14	6H4-15717-00	5-20	6G1-24304-02	6- 1	6E0-28193-00-94	7-19	6H4-42510-11-EK	10-25
6H4-11636-01	2- 7		40-13	6H4-15723-01-94	5-36	6G1-24305-00	7-14	6H4-41111-00-9M	1-23	6J8-42528-00	10-22
6H4-11641-00	2-11	6H1-14485-00	19- 8	6J8-15723-E1	29-26		22-14	6H4-41113-00-9M	1-22		25-21
6E5-12411-10	1-17		19- 8	676-15741-03	5-24	6Y1-24305-01	7-16	6H4-41114-00	1-24	624-42542-00	20-35
6H4-12413-00-9M	1-18	663-14523-00	4- 7	6H4-15746-00	5-50		22-16		40- 6		21-46
6H4-12414-00	1-19	6H4-14548-00	4-10	682-15746-00	5-42	6Y1-24306-51	7- 9	6H4-41131-01-5B	14- 8	6H4-42610-H2-EK	8- 1

NUMERICAL INDEX

PART NO.	REF. NO.	PART NO.	REF. NO.	PART NO.	REF. NO.	PART NO.	REF. NO.	PART NO.	REF. NO.	PART NO.	REF. NO.
6H4-42610-U1-EK	23- 1	6H5-43126-02	25-41	6H5-4382E-00	26- 8	6H4-44121-01	13-15	6H1-44526-00	25- 8	663-45577-01-12	15-54
6H4-42610-44-EK	24- 1	6H5-43128-00-EK	25- 6	6H5-43826-00	26-43		27-15	6H4-44551-01-EK	10-31	663-45577-01-15	15-54
6H4-42613-00-EK	8- 7	6J8-43131-01	10- 9	6H5-43829-00	26-26	6H4-44125-01	13-20		25-57	663-45577-01-18	15-54
	23- 5		25-14	6H5-43836-00	26-16		27-20	6H4-44553-01	10-37	663-45577-01-30	15-54
6H4-42613-10-EK	24- 6	6E5-43145-00	32- 9	6H5-43837-00	26-15	682-44132-00	13-14		25-63	663-45577-01-40	15-54
6H4-42615-00	8- 3	663-43145-00	10-14	6H5-43840-02-EK	26- 1		27-14	6H4-44557-00	10-36	663-45577-01-50	15-54
	23-12		25-19	6H5-43841-00	26- 2	6H4-44143-00	13-25		25-62	663-45587-01-10	15- 5
	24- 2	6H4-43160-01	11- 1	6H5-43844-00	26-19		27-25	6H4-44557-10	10-36	663-45587-01-12	15- 5
6H4-42651-00	8- 4	676-43160-02	25-24	6H5-43846-02	26-10	648-44146-00	13-29		25-62	663-45587-01-15	15- 5
	23- 9	676-43165-00	11- 2	6H5-43849-00	26- 6		27-29	6H4-45111-00-EK	14- 1	663-45587-01-18	15- 5
	24- 3		25-25	6H5-4385A-00	26-28	6G1-44147-00	15-12	6H4-45111-10-EK	14- 1	663-45587-01-30	15- 5
6H4-42652-00	8- 5	6H5-43181-01	25-33	6H5-43853-00	26- 7	6H4-44150-00	15-49	6H4-45113-00	14-16	663-45587-01-40	15- 5
	23-10	6J8-43181-01	11- 5	6H5-43853-10	26-22	6H4-44150-11	15-49		40-17	663-45587-01-50	15- 5
	24- 4	6H5-43185-01	25-34	6H5-43855-01	26-24	6H4-44160-00	15-50	6H4-45114-00	14- 6	679-45611-01	15-41
6H4-42682-10	8-13	6J8-43186-00	11-41	6H5-43856-00	26-18	6H4-44173-00	36- 4		41- 2	6H4-45631-00	15-44
	23-13	6J8-43187-00	11-42	6H5-43857-00	26-31	6H4-44173-01	30-13	663-45119-00	10-21	663-45633-00	15-46
6H4-42682-40	24-12	6H5-43311-03-EK	25-20	6H5-43858-00	26-30	688-44194-00	13-12		25-29	663-45634-00	15-43
6H4-42686-02	8-10	6J8-43311-04-EK	10-19	6H5-43858-10	26-17		27-12	663-45123-00	14-10	676-45635-00	15-42
	23- 3	663-43318-00	25-39	6H5-43859-00	26-23	6J8-44311-00	15-20		41- 5	663-45930-00-98	16-28
6H4-42686-11	24- 9	682-43318-01	11-10	6H5-4386F-00	26-25	663-44315-00	15-23	688-45214-02	16- 3	663-45941-01-EL	16-28
6H4-42687-01	8-11	689-43373-01	10-23	6H5-43861-00	26- 3		41- 8	688-45215-02	16- 4	6H5-45943-00-EL	16-28
	23- 4		25-22	6H5-43862-00	26- 5		41-18	6H1-45251-02	25- 7	663-45943-02-EL	16-28
6H4-42687-10	24-10	6J8-43611-01	11-20	6H5-43863-00	26- 9	663-44316-00	15-29	6H4-45300-01-EK	15- 1	6H5-45945-00-EL	16-28
6H1-42694-00	24-17	6J8-43613-01	11-18	6H5-43864-00	26-11		41-10	6H4-45300-11-EK	15- 1	663-45945-02-EL	16-28
6H4-42711-04-EK	9- 1	6J8-43614-00	11-16	6H5-43865-00	26-12		41-21	6H4-45301-01-EK	15- 2	663-45947-02-EL	16-28
6H4-42716-00	9-19	6J8-43615-00	11-17		26-27	670-44321-00	41-28	6H4-45321-01	15-10	663-45949-01-EL	16-28
6H4-42724-00	9-17	6H4-43616-00	11-29	6H5-43866-00	26-14	663-44322-00	15-21	679-45331-00-94	15-52	6H5-45952-00-EL	16-28
6H4-42724-20	30- 9		11-38	6H5-43867-00	26-20		41-16	688-45341-00	15- 9	663-45952-02-EL	16-28
6H4-42725-00	30-10	6J8-43616-10	11-47	6H5-43868-00	26-21	670-44322-01	41-27	664-45371-01	16- 7	663-45954-01-EL	16-28
6H4-42726-00	9- 9	6J8-43617-00	11-32	6H5-43871-00	26-35	663-44323-00	15-30	688-45375-00	16- 2	663-45956-01-EL	16-28
6H5-42726-00	9- 9	6J8-43617-10	11-40	6H5-43872-00	26-48		41-19	663-45376-00-94	16- 1	6H5-45958-00-EL	16-28
676-42726-00	30-11	6J8-43627-00	11-11	6H5-43873-00	26-38	670-44323-00	41-29	6H4-45378-00	15-15	663-45958-01-EL	16-28
	35- 4	6J8-43631-00	11-26	6H5-43875-00	26-13	663-44324-00	15-31	697-45384-00	15-60	663-45970-60-98	16-28
	35- 7	6J8-43631-10	11-36	6H5-4388A-00	26-53		41- 9	6H4-45501-00	15-35	663-45972-60-98	16-28
6H3-42727-00	9-14	6J8-43633-00	11-27	6H5-43880-00	26-42		41-20	6H4-45501-10	15-35	663-45974-60-98	16-28
682-42727-00	9-20		11-37	6H5-43883-00	26-34	663-44341-00-94	15-26	6H4-45536-00	15- 4	663-45976-00-98	16-28
6H4-42741-00	9-25	6J8-43641-00	11-30	6H5-43886-00	26-47	6H4-44352-02	15-22	6H4-45551-00	15-36	663-45978-00-98	16-28
6G1-42748-00	19-13		11-39	6H5-43887-00	26-46		41-17	6H4-45560-00	15-38	663-45987-02	16-23
6H4-42815-00	9- 3	6H4-43659-00	11-19	6H5-43891-00	26- 4	6H4-44361-00	16-20	6H4-45567-01-10	15-40	670-45997-02	16-24
6H4-42816-00	9- 6	6J8-43673-00	11-35	6H5-43893-00	26-32	6H4-44361-10	16-20	6H4-45567-01-12	15-40	701-48101-10	31- 1
6H4-43111-04-EK	10- 1	6J8-43681-01	11-34	6H5-43896-00	26-37	663-44366-00	15-24	6H4-45567-01-15	15-40		33- 1
6H5-43111-02-EK	25- 1	6H5-43801-00	26-29	6H5-43897-00	26-41		41-24	6H4-45567-01-18	15-40	701-48102-10	31- 2
6H4-43112-04-EK	10- 2	6H5-4381A-00	26-39	6H4-44111-00	13-13	663-44367-00	16-22	6H4-45567-01-30	15-40		33- 1
6H5-43112-03-EK	25- 3	6H5-4381E-00	26-36	6H4-44111-10	27-13	6E5-44391-00	9-18	6H4-45567-01-40	15-40	701-48110-22	31- 3
6J8-43113-01	10-11	6H5-4381F-00	26-45	6H4-44116-00	13-17		10-47	6H4-45567-01-50	15-40		33- 1
	25-16	6H5-43811-00	26-44		27-17		25-72	6H4-45571-00	15-51	701-48126-00	33-41
648-43114-01	10- 8	6H5-43812-00	26-40	682-44117-00	13-18	6H4-44514-00	10-43	663-45576-00	15-55	701-48152-11	33-13
616-43118-00-EK	10- 5	6H5-43814-00	26-33		27-18		25-68	663-45577-01-10	15-54	701-48152-20	33-13

NUMERICAL INDEX

PART NO.	REF. NO.	PART NO.	REF. NO.	PART NO.	REF. NO.	PART NO.	REF. NO.	PART NO.	REF. NO.	PART NO.	REF. NO.
701-48153-12	33-34	701-48248-00	34-16	701-48320-90	31- 6	6H4-81945-00	29-42	689-82571-02	36-11	6Y5-83544-00	38-24
703-48153-00	34- 3	701-48249-00	33-11	6H4-48344-00	31- 8	6H5-81950-00	30-19	703-82574-00	34-49	6Y5-83553-00	37- 7
701-48189-11	33-32	703-48250-12	31- 4	663-48344-00	13-35	6H4-81952-00	29-41		36- 8		39-18
703-48189-00	34-20		34- 1	703-48345-01	33-37	6G1-81970-61	30- 2	6H4-82575-00	9-28	663-83553-A0	38- 7
701-48196-11	33- 7	701-48252-00	33- 4		34-22		35- 8	688-82575-01	34-51		38-18
701-48197-10	33- 3	703-48252-00	34-15	701-48350-00	31- 6	6H4-82105-01	30- 1		36- 9		38-27
703-48197-00	34- 6	701-48255-00	33-21	701-48350-10	31- 6	6H4-82117-00	29-20	689-82575-12	35- 1	663-83553-Y0	38- 8
701-48198-10	33-15	701-48261-00	33-38	701-48350-20	31- 6	6Y5-82117-00	39-16	688-8258A-10	36-20		38-17
703-48198-00	34-17	701-48261-10	33-38	701-48358-00	33-39	6G1-82127-00	26-52	688-8258A-20	34-53		38-26
703-48210-12	31- 4	703-48261-10	34- 2	703-48358-00	34-23	6H4-82127-00	10-42	688-8258A-30	36-20	6G1-83557-00	18-14
	34- 1	703-48263-00	34- 8	6H4-48511-50-EK	25-59	6H5-82127-00	25-49	688-8258A-50	36-19	688-83557-00	37-15
701-48213-00	33-19	703-48264-00	34- 9		31-10	6E5-82148-00	10- 3	663-82581-01	36-12	6E5-83558-00	15-18
703-48215-00	34-46	703-48265-00	34-12	6H4-48531-00-94	9-10		25- 4	6E5-82582-00	30-28	6Y5-83577-00	38- 4
702-48217-00	34-47	701-48266-00	33-30	6H4-48531-10-94	30- 7	6H5-82149-00	25-50	6H4-82582-00	30-29	6H4-83589-00	21-54
703-48219-00	34-33	701-48268-00	33-18	6H4-48532-00-94	9-11	6Y5-82149-00	39-15	688-82586-11	36-20	6Y5-83590-00	38-10
703-48220-11	31- 5	703-48268-00	34- 7	6H4-48532-10-94	30- 8	1E6-82151-00	37- 8	688-82586-21	34-53	688-83591-00	38-15
	34- 1	701-48271-00	33-35	6E5-61301-01	32-11		39-19	688-82586-31	36-20	6Y5-83660-00	37-20
701-48221-00	33- 6	701-48271-10	33-35	688-61301-01	32-11	6G1-82151-00	30- 3	688-82586-50	36-19	688-83664-00	37-23
703-48221-00	34-60	703-48273-00	34- 5	6E5-61303-00	32-16		35- 9	6H4-82588-00	30-16		38- 3
701-48222-00	33-27	701-48280-00	33-47	6E5-61311-11	32-17	6A0-82317-00	20-34	6H4-82590-11	30-18		38-13
703-48222-00	34-30	703-48280-12	31- 5	688-61311-11	32-17		21-45	6H4-82590-22	30-18		38-23
703-48222-10	34-30		34- 1	6E5-61313-00	32-20	663-82370-01	18-11	701-82594-00	33-43	688-83665-00	37-24
703-48223-00	34-31	701-48281-00	33-16	6E5-61315-00	32-19	689-82510-00	36- 7	703-82594-00	34-28	688-83666-00	37-26
703-48224-00	34-59	701-48282-00	33-28	689-61350-02	32- 1	703-82510-01	34-48	6H5-83354-00	17- 9	688-83667-00	37-25
703-48225-00	34-32	701-48283-00	33-42	689-61351-01	32- 2	703-82510-10	34-48		28- 9	663-83668-00	37-27
703-48226-00	34-29	703-48284-00	34-56	6H4-81332-00	17-22	688-82520-00	39-13	688-83373-10	39- 4	6H4-84301-01	21-58
703-48227-00	34-27	701-48287-00	33-45	6H4-81337-01	29-21	6Y5-82521-00	39-17	688-83383-11	39- 1	663-84301-01	39- 6
701-48229-00	33-26		34-45	6J8-81365-00	5-37	663-82521-09	39-12	703-83383-01	34-55	663-84309-00	39- 7
703-48230-11	31- 4	702-48288-00	33-23		29-27	688-82526-00	39-14	6Y5-83504-01	38- 2	6H4-84342-00	21-53
	34- 1	701-48289-00	33-17	6F5-81800-10	29- 1	6H4-82531-02	18- 4	6Y5-83510-30	37-10	6J8-85410-00	9-31
701-48232-00	33-31	703-48290-01	31- 7	689-81807-12	29- 3	703-82531-00	34-50	6Y5-83514-00	37- 6	6H4-85411-00	9-31
701-48234-00	33- 5	701-48291-00	33-44	689-81809-11	29- 6	6H4-82537-00	9-30		37-14	6H4-85415-00	9-32
703-48234-00	34-21	703-48293-00	34-44	689-81810-11	29- 8	6H3-82540-00	36- 1	688-83516-00	37- 3	6H4-85415-10	9-32
701-48235-00	33- 2	703-48293-10	34-44	689-81811-11	29- 9	703-82540-00	34-54		37-11	6H5-85520-00	17- 4
703-48235-00	34- 4	701-48310-10	31- 6	689-81812-11	29-11	689-82550-11	35- 5	6Y5-83518-00	37-21		28- 4
701-48236-00	33- 8	701-48310-20	31- 6	689-81813-10	29-12	701-82550-50	33-40		38- 5	6H5-85533-00	28- 5
703-48236-00	34-19	701-48310-40	31- 6	689-81820-11	29-13	6A0-82553-20	35- 3		38-11	6H5-85533-01	17- 5
702-48237-00	33- 9	701-48310-60	31- 6	6H4-81822-00-94	29-30		35- 6		38-21	6H5-85540-00	18- 1
702-48238-00	33-10	701-48310-80	31- 6	689-81826-10	29-14	6H4-82553-00	36- 3	6Y5-83523-00	37- 5	6H5-85550-00	28- 1
703-48238-00	34-25	701-48310-90	31- 6	6F5-81830-11	29- 4	6H4-82554-00	30-12		37-13	6H5-85550-10	17- 1
701-48239-00	33-29	701-48320-00	31- 6	689-81840-11	29-10		36- 2	6Y5-83536-00	37-22	6H5-85560-01	17- 2
701-48243-00	33-14	701-48320-20	31- 6	689-81847-11	29- 5	682-82556-00	9-29		38- 6		28- 2
703-48243-00	34-18	701-48320-30	31- 6	689-81850-11	29- 7		34-52		38-12	6H5-85570-00	18- 7
703-48244-00	34-24	701-48320-40	31- 6	689-81857-11	29- 2		35- 2		38-22	6H5-85580-00	17- 6
703-48245-00	34-14	701-48320-50	31- 6	697-81901-60	39- 9		36-10	6Y5-83536-10	37- 4	6H5-85580-01	28- 6
701-48246-00	33-24	701-48320-60	31- 6	663-81910-10	35-12	689-82560-00	18-12		37-12	6H5-85580-10	17- 7
703-48246-00	34-26	701-48320-70	31- 6	6H5-81920-00	30-24	703-82563-01	34-59	6Y5-83540-12	37- 2		28- 7
701-48248-00	33-12	701-48320-80	31- 6	6G1-81941-10	29-40	689-82570-15	36- 6	6Y5-83544-00	38-14	6H5-85580-20	17- 8

NUMERICAL INDEX

PART NO.	REF. NO.	PART NO.	REF. NO.	PART NO.	REF. NO.	PART NO.	REF. NO.	PART NO.	REF. NO.	PART NO.	REF. NO.
6H5-85580-20	28- 8	90183-05M06	24-19	90214-48M03	15-59	90430-14115	1-13	90465-13M11	25- 2	90890-44373	5-17
6H4-85720-20	20-47	90185-05002	16- 6	90243-04M00	10- 6		37-28	90465-13M30	21-28	91316-06020	26-49
6H4-85720-30	21-52	90185-06062	12-26	90249-06M24	11-31		38-16	90465-13M36	18- 2	91490-16010	13-28
6Y5-85750-00	38-20	90185-08045	10-46	90249-07M25	11-44		40- 4	90465-13169	34-57		27-28
688-85752-01	38-25		25-71	90249-12M27	11-12	90445-07MA6	20-13	90465-18147	21-57	91490-20010	11-25
6H4-86120-00	4-41	90185-09M01	32- 4	90249-12M28	11- 7		21-13		30- 6	91490-30030	16-27
90101-08M86	10-44		32-12	90250-06023	15-45	90445-07ME9	15-17		30-27		25-38
	25-69	90185-10051	10-35	90266-04M01	8- 6	90445-07M23	20-12	90467-06016	19-12	91690-30010	11- 3
90101-08339	10-15		25-61		23-11		21-12	90467-08004	1-26	91690-30012	25-26
90101-09M66	32- 7	90185-12058	12-23		24- 5	90445-07M24	19-11		6- 5	91690-30020	30-14
90101-09M70	32-14	90185-22043	10-13	90269-02M09	12- 6	90445-07M31	15-17		6-14		36- 5
90101-10M58	10-50		25-18	90280-03024	15-25	90445-07M44	20-11		6-36	91690-30316	13-21
90101-12M37	12-17	90201-05652	4- 6		41-25		21-11		20-25		27-21
90101-12M65	25-75	90201-06M02	9- 7	90280-05049	17-19	90445-07M87	20-39		20-33	91690-30318	13-16
90105-06M18	10-24	90201-06M31	25- 9	90282-04010	15-61		21-48		21-44		27-16
	25-23	90201-06M62	20-36	90338-05M03	9- 2	90445-09M37	1-25	90467-10M04	20-44	91690-40018	5- 3
90109-06M04	5-44	90201-06060	5-21	90338-05M11	29-39		6- 4		21-38	91790-05020	13-26
	5-51	90201-06416	9-23	90338-05M12	24-18		20-32	90467-11M08	21-26		27-26
90109-06M39	20- 9	90201-08M93	20- 1	90340-08M04	15- 7	90445-09057	6-33		21-51	92501-06025	17-13
	21- 9		21- 1	90340-14M00	1-12	90445-09063	6-31	90468-05M03	20-20		28-13
90109-06M40	20-10	90201-09425	10-45	90386-08032	12-11	90445-11M05	7-12		21-20	92501-06030	17-15
	21-10		25-70	90386-10M16	25-35		22-12	90468-07M02	20-14		28-15
90109-06M43	13- 2	90201-10M20	32- 3	90386-10M19	25-40	90445-11M06	7-10		20-15	92503-06015	21-55
	27- 2	90201-10M63	32- 8	90386-12M64	25-43		22-10		20-41	92680-06090	34-42
90113-05M06	13-33	90201-10M76	32-13	90386-12M65	25-42	90445-11M07	21-35		21-14	92780-06025	33-20
90116-06M22	29-43	90201-12426	10-52	90386-12069	9- 5	90445-11M17	20-42		21-15	92901-04100	36-14
90116-10175	10-34		25-77	90386-12089	12-18		21-24		21-50	92901-05100	17-11
	25-60	90201-12537	12-21	90386-18M44	25-48		21-39	90468-18008	13-36		28-11
90116-18M21	25-45	90201-16M44	17-21	90386-22M15	25-15	90445-11M23	20-46		31- 9	92901-05600	12-14
90119-06M13	1- 4	90201-22428	10-12	90386-22M69	10-10		21-34	90480-09M21	9-21		17-12
90119-06M51	18- 3		25-17	90386-30M60	10-30	90446-09M08	20-24	90480-25161	18- 8		28-12
90119-06M65	21-47	90201-22429	15-47		25-53	90446-10M01	20-43	90501-10M21	25-37	92990-05100	6-27
90119-08M19	1- 3	90201-30M00	10-27	90386-30M77	10-26		21-40	90501-10227	5-47		36-17
90119-08M29	1-16		25-55		25-54		25-32	90501-10326	4- 8	92990-05600	3- 4
90149-05M05	36-15	90201-50306	2- 6	90386-30M78	10-28	90446-10M02	18-13	90501-16M01	15-48		9-13
90149-14M12	10- 7	90202-05088	20-19		25-56	90464-03M15	17-17	90501-23215	12- 9		13-27
90157-06M00	13-10		21-19	90387-06M05	30-23		28-17	90502-10M04	11- 4		13-32
	27-10	90202-12031	11- 9	90387-06M19	13- 8	90464-05M16	18-15		25-27		27-27
90170-07021	13-37		11-14		27- 8	90464-06M19	3-26	90506-12M25	11- 6		30- 5
	27-30	90202-12060	16-19	90387-06M41	9-22	90464-07M20	20-16	90506-32M22	11-24		35-11
90170-09M03	32- 5	90202-12092	12-20	90387-06M65	29-22		21-16	90508-18M23	11-28		36-18
90170-09M05	32-15	90206-12M16	11-15	90387-06M69	5-10		30-30	90508-20M22	11-48		39- 3
90170-12138	15-37	90206-12052	9- 4	90387-07M54	11-21	90464-09M13	29-15	90508-25M21	11-43	92990-06100	17-14
90170-14M06	32-21	90206-12054	12-22	90387-08M03	10-16	90464-11M23	21-25	90508-26M20	13- 4		17-16
90170-18M10	25-46	90209-06M04	29-23	90387-10M42	32- 6	90464-15M27	30-15		27- 4		25-12
90171-16011	16-26	90209-06M05	3-17	90430-08020	15- 8	90464-16039	19-10	90510-08002	5-19		26-50
90179-06M12	29-36	90209-08M02	15-62		41- 6	90465-11M10	15-19	90601-31402	37-17		28-14
90179-16M05	17-20	90209-10M14	15-16	90430-12072	16-21		37-16		37-29		28-16

NUMERICAL INDEX

PART NO.	REF. NO.	PART NO.	REF. NO.	PART NO.	REF. NO.	PART NO.	REF. NO.	PART NO.	REF. NO.	PART NO.	REF. NO.
92990-06200	30-20	92990-08600	29-19	93210-66262	41-13	95380-10600	10-53	97313-08050	29-33	98503-05025	30- 4
92990-06300	33-25		29-29	93306-00702	15-53	95380-12600	25-78	97375-08075	16- 8		35-10
92990-06600	1-21		29-34	93306-305U8	2- 3	95380-14700	32-18	97380-05025	34-11	98580-03015	34-41
	1-28		34-37		2- 4	95428-31316	39- 8	97395-06010	25-30	98580-04006	34-39
	2-19	92990-10100	16-14		19- 5	95600-12100	26-51	97395-06012	25-10	98580-04008	4-11
	3- 9	92990-10600	10-41		19- 6	95670-06640	29-35	97395-06016	5- 5	98580-04010	34-38
	5- 6		12- 8	93315-32224	15- 3	97013-06012	5-41		8- 8	98580-05010	33-33
	5-12		16-15	93317-22204	15-57		5-49		9-26		34-40
	5-28		25-36	93332-000V4	15-39		6-11		15-13	98580-05016	3- 3
	5-35		25-67	93332-00023	15- 6		30-17		23- 6	98580-05530	6-26
	6- 3	92990-12200	12-19	93410-12M08	25-44		30-25		24- 7	98586-05016	7- 7
	6-30		25-76	93410-28M06	10-32	97013-06035	1-27		25-11		22- 7
	8- 9	92990-16200	16-25		25-58		5-27	97395-06018	33-22	98680-04016	1- 9
	9-16	92990-18600	25-47	93430-06M02	5-25	97021-08014	29-28	97395-06020	12-25	98680-05525	12- 7
	9-27	92995-10600	10-51		11-22	97090-08035	10-48	97395-06025	6- 2	98680-05535	16- 5
	13-24	93101-22067	15-58	93430-06024	33-36		25-73	97395-06040	6-29	98780-05012	34-34
	15-14		41-14		34-13	97313-05016	9-12	97395-08025	10-38	98780-05016	34-35
	17-25	93101-23070	15-27	93430-10M00	11- 8	97313-05020	13-31		25-64	98980-03006	4-38
	18- 6		41-12		11-13	97313-06010	9- 8	97395-08030	14-11	99080-05600	11-23
	18-10	93102-23096	17-18	93440-62057	2- 5	97313-06014	1- 7		14-13		11-33
	18-17		28-18	93602-20M02	2-10		18- 5		34-36		11-45
	21-56	93102-25M28	2-15	93604-08062	15-32		18-16	97395-08045	15-34	99530-10014	5-29
	23- 7		40- 9	93606-12019	1- 5		29-37		41-23		
	24- 8	93104-16M04	2-16		14- 2	97313-06016	13-19	97395-08055	15-33		
	25-13		40- 8		14-17		27-19		41-22		
	25-31	93210-04228	4-27		16-12	97313-06018	17-24	97395-08080	14- 3		
	27-24	93210-04230	4-19	93700-06004	10-20	97313-06020	2-18	97395-08085	16-16		
	29-32		40-28		25-28		3- 8	97395-10040	16-13		
	29-38	93210-08287	7-15	94701-00217	1-29		5-22	97395-10060	10-40		
	29-45		7-17	95303-05700	13-34		9-15		25-66		
	30-22		22-15	95303-06600	5-23		13-23	97780-40116	37-18		
	30-26		22-17		13-11		18- 9		37-30		
	39-11	93210-13595	20- 4		27-11		27-23	97780-60120	39-10		
92990-08100	10-49		21- 4	95380-03600	4-39	97313-06025	1-20	97780-60516	39- 2		
	14-14	93210-16275	32-10		6-22		5-34	97880-05016	12-13		
	16- 9	93210-19M82	20- 8	95380-05600	13- 7		13- 9	97895-06008	10- 4		
	16-17		21- 8		20-21		27- 9		25- 5		
	25-74	93210-29M94	10-29		21-21		30-21	97895-06035	29-25		
92990-08600	5-32		25-52		27- 7	97313-06030	5-11	97895-06040	3-15		
	5-39	93210-37M25	6- 8		34-10		9-24		29-24		
	10-17		40-15		36-16		20-37	97895-06055	3-16		
	10-39	93210-41042	15-28	95380-06600	5-13		29-31	97980-04114	4- 4		
	14- 4		41-11		29-44	97313-06050	20-38		40-27		
	14-12	93210-49046	15-11		33-46	97313-06095	3-12	97980-05310	4-40		
	16-10		41- 7		34-43	97313-08016	29-18	97985-05210	17-23		
	16-18	93210-57M09	2-17	95380-08600	6-12	97313-08020	5-38	98303-04008	36-13		
	25-65		40-10		10-18	97313-08030	5-31	98501-05012	17-10		
	29-17	93210-66M98	15-56		16-11		29-16		28-10		